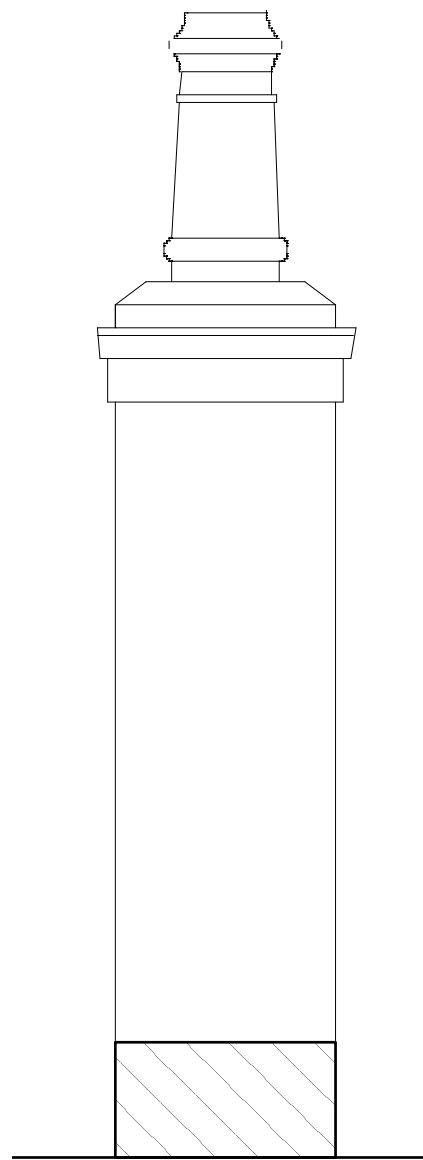
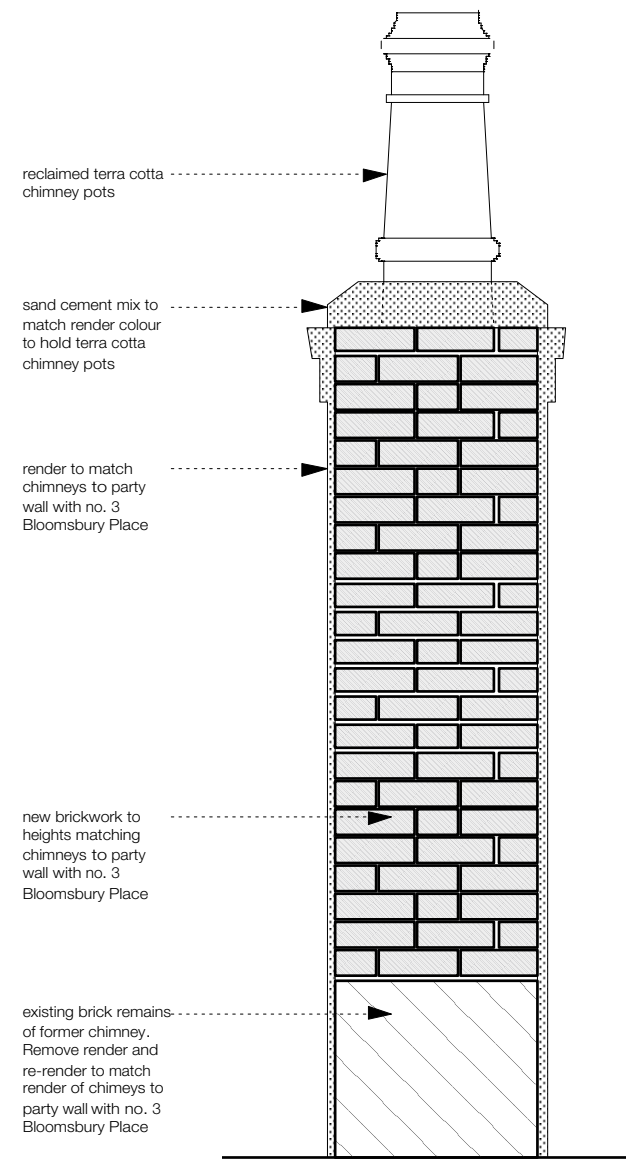


**FRONT ELEVATION**



**SIDE ELEVATION**



**SECTION**

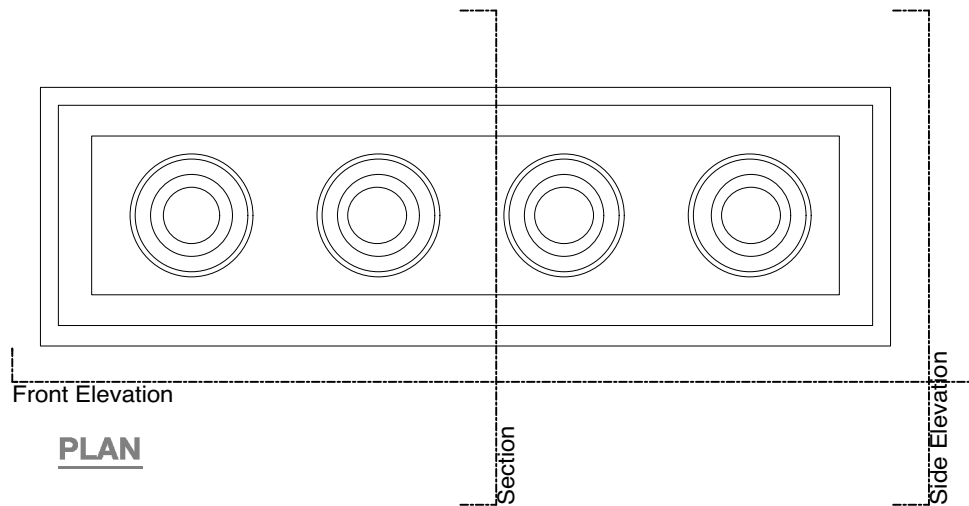
reclaimed terra cotta chimney pots

sand cement mix to match render colour to hold terra cotta chimney pots

render to match chimneys to party wall with no. 3 Bloomsbury Place

new brickwork to heights matching chimneys to party wall with no. 3 Bloomsbury Place

existing brick remains of former chimney. Remove render and re-render to match render of chimneys to party wall with no. 3 Bloomsbury Place



**PLAN**

**JOHANNA MOLINEUS ARCHITECTS**

22 Great Chapel Street  
London W1F 8FR  
0207 734 8320  
info@johannamolineus.com

© 2017 Johanna Molineus Architects Ltd

Do not scale dimensions from drawing. Check all dimensions on site prior to commencement of work. Do not copy or use this drawing without written consent. Issue or publication does not convey or imply grant of licence. If the drawing exceeds the quantities in any way the architects are to be informed before work is commenced. Drawing to be read in conjunction with structural engineer's drawings and specification.

client

**The Bedford Estates**

project

**4 Bloomsbury Place,  
Bloomsbury, London WC1A  
2QA**

issue

**Planning**

drawing title

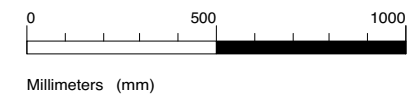
**Proposed Chimney Stacks  
to Roof**

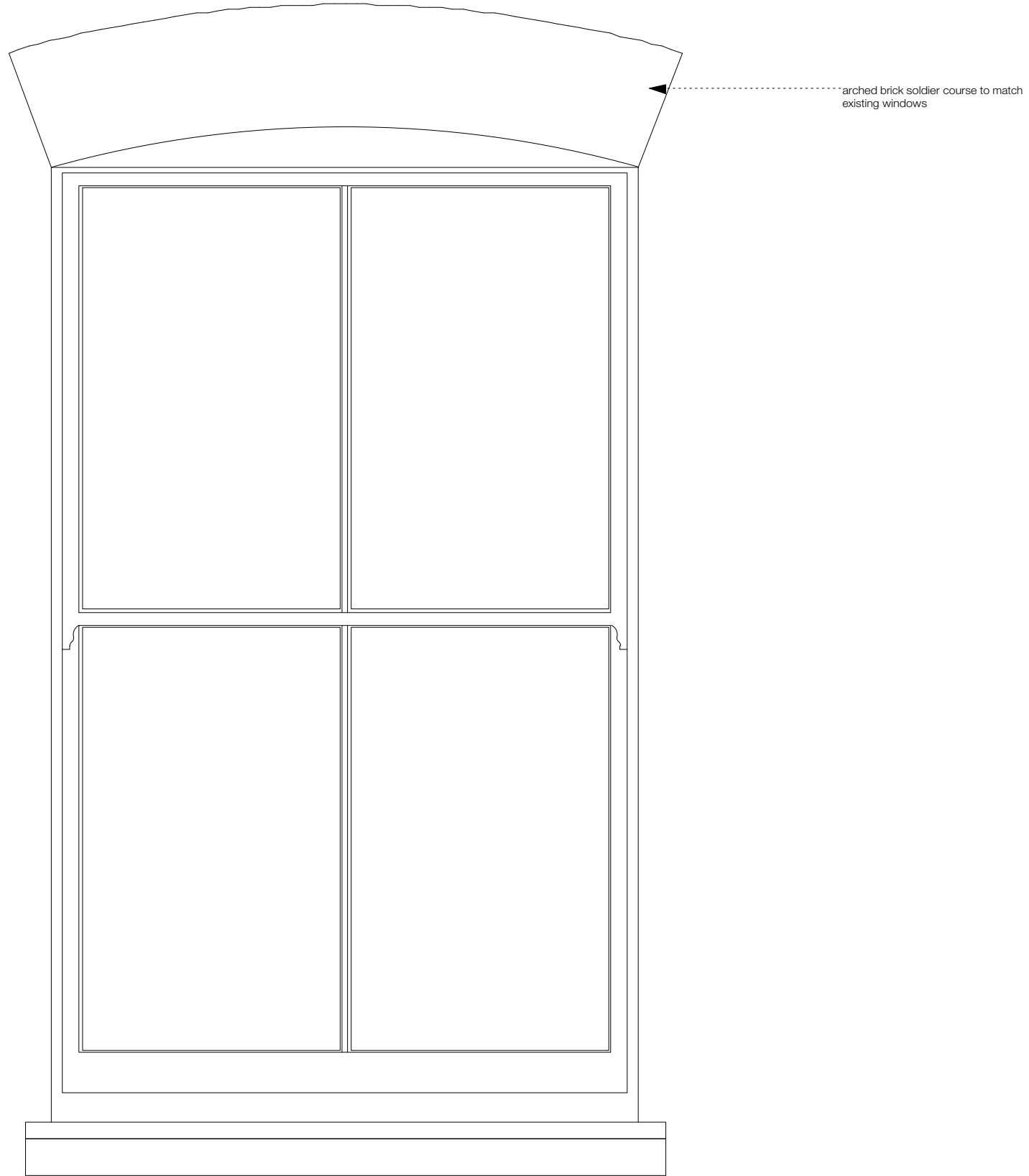
date drawn by revision

Oct 17 SR .

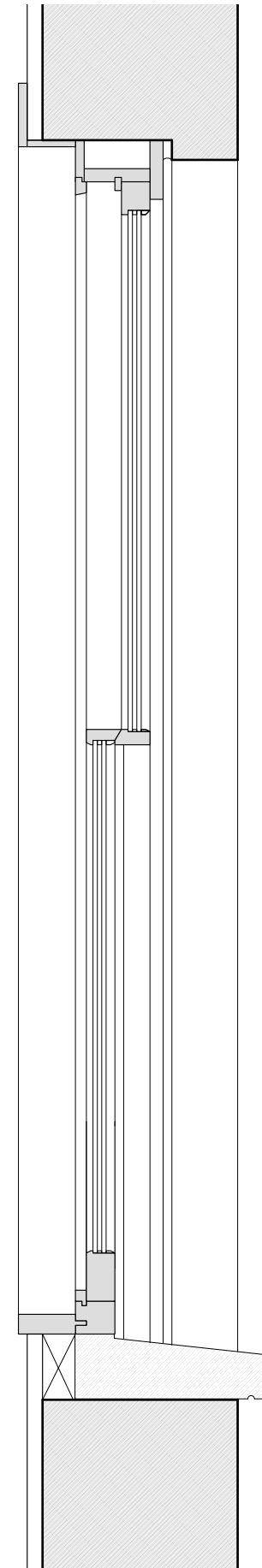
scale checked by drawing

1:20@A3 PB 257.04  
-950

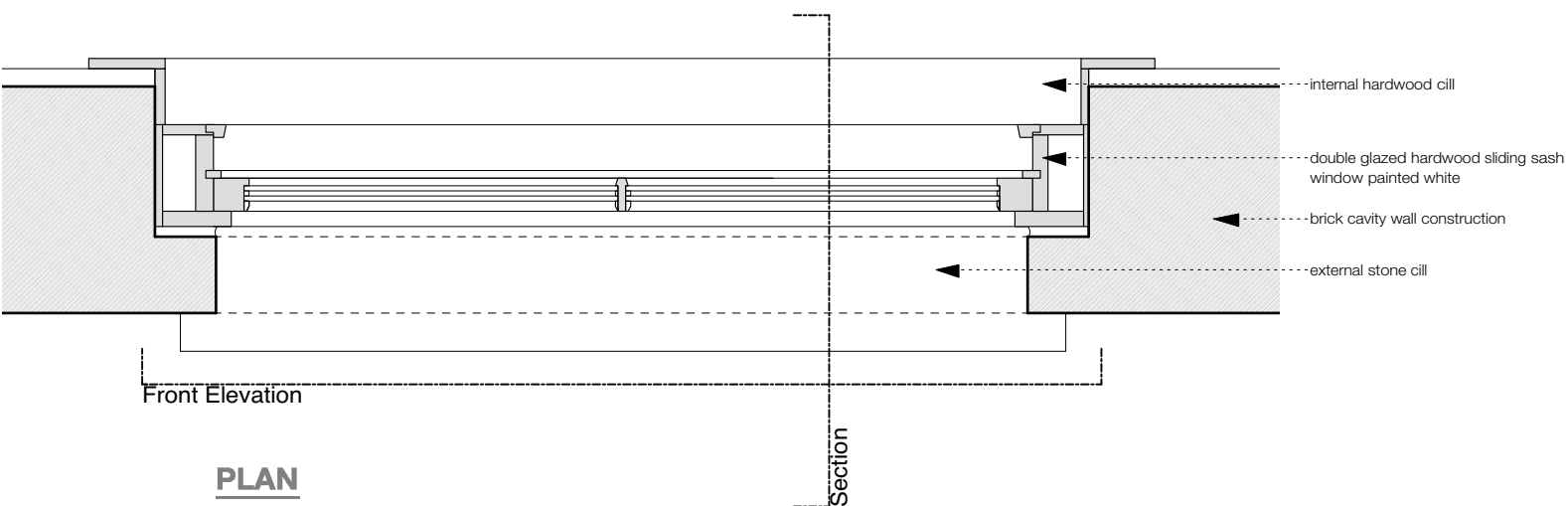




**FRONT ELEVATION**



**SECTION**



**PLAN**

revisions:

**JOHANNA MOLINEUS ARCHITECTS**

22 Great Chapel Street  
 London W1F 8FR  
 0207 734 8320  
 info@johannamolineus.com

© 2017 Johanna Molineus Architects Ltd

Do not scale dimensions from drawing. Check all dimensions on site prior to commencement of work.  
 Do not copy or use this drawing without written consent. Issue or publication does not convey or imply grant of licence.  
 If the drawing exceeds the quantities in any way the architects are to be informed before work is commenced.  
 Drawing to be read in conjunction with structural engineer's drawings and specification.

client

The Bedford Estates

project

4 Bloomsbury Place,  
 Bloomsbury, London  
 WC1A 2QA

issue

Planning

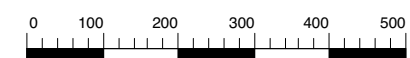
drawing title

Proposed W.G.08 - W.G.12

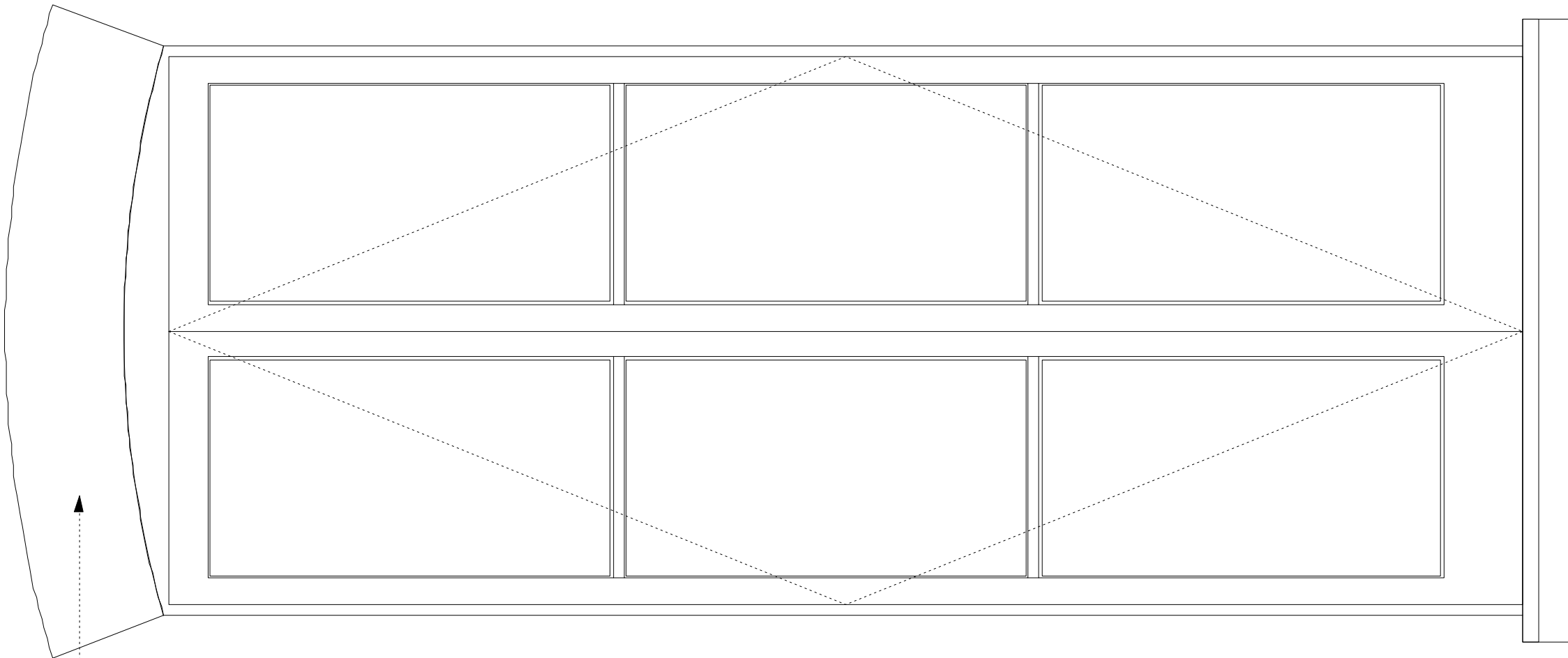
date	drawn by	revision
Oct 17	SR	.

scale	checked by	drawing
1:10@A3	PB	257.04

257.04	-900
--------	------



Millimeters (mm)



arched brick soldier course to match existing windows

double glazed hardwood french doors painted white

external stone cill

FRONT ELEVATION

Section

Front Elevation

PLAN

revisions:

**JOHANNA MOLINEUS ARCHITECTS**

22 Great Chapel Street  
 London W1F 8FR  
 0207 734 8320  
 info@johannamolineus.com

© 2017 Johanna Molineus Architects Ltd

Do not scale dimensions from drawing. Check all dimensions on site prior to commencement of work. Do not copy or use this drawing without written consent. Issue or publication does not convey or imply grant of licence. If the drawing exceeds the quantities in any way the architects are to be informed before work is commenced. Drawing to be read in conjunction with structural engineer's drawings and specification.

client

The Bedford Estates

project

4 Bloomsbury Place,  
 Bloomsbury, London  
 WC1A 2QA

issue

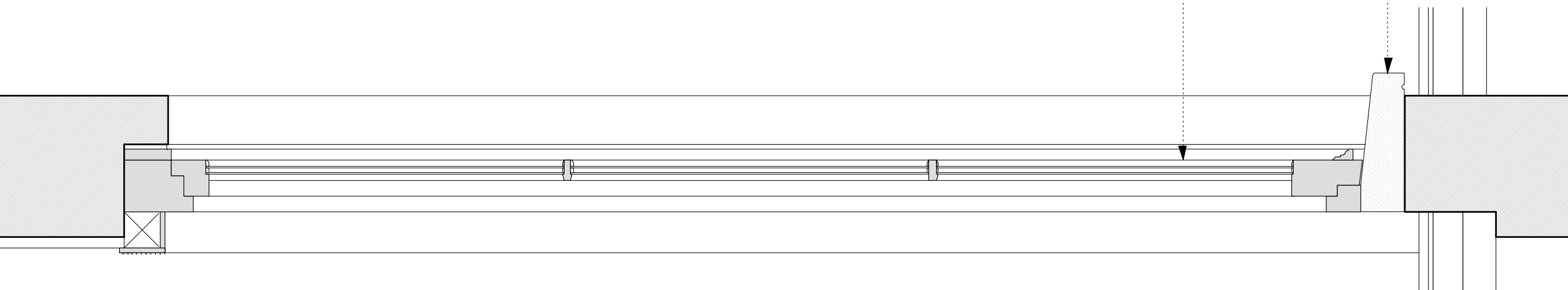
Planning

drawing title

Proposed D.G.13

date	drawn by	revision
Oct 17	SR	

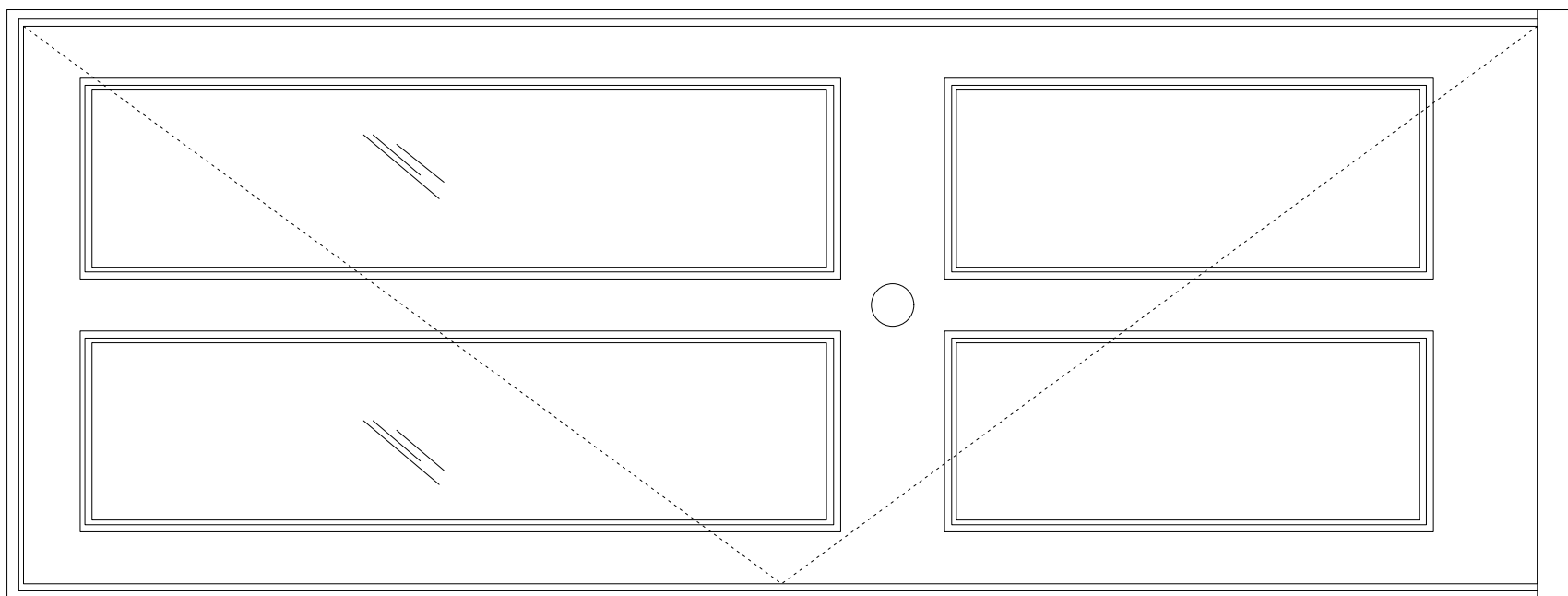
scale	checked by	drawing
1:10@A3	PB	257.04-901



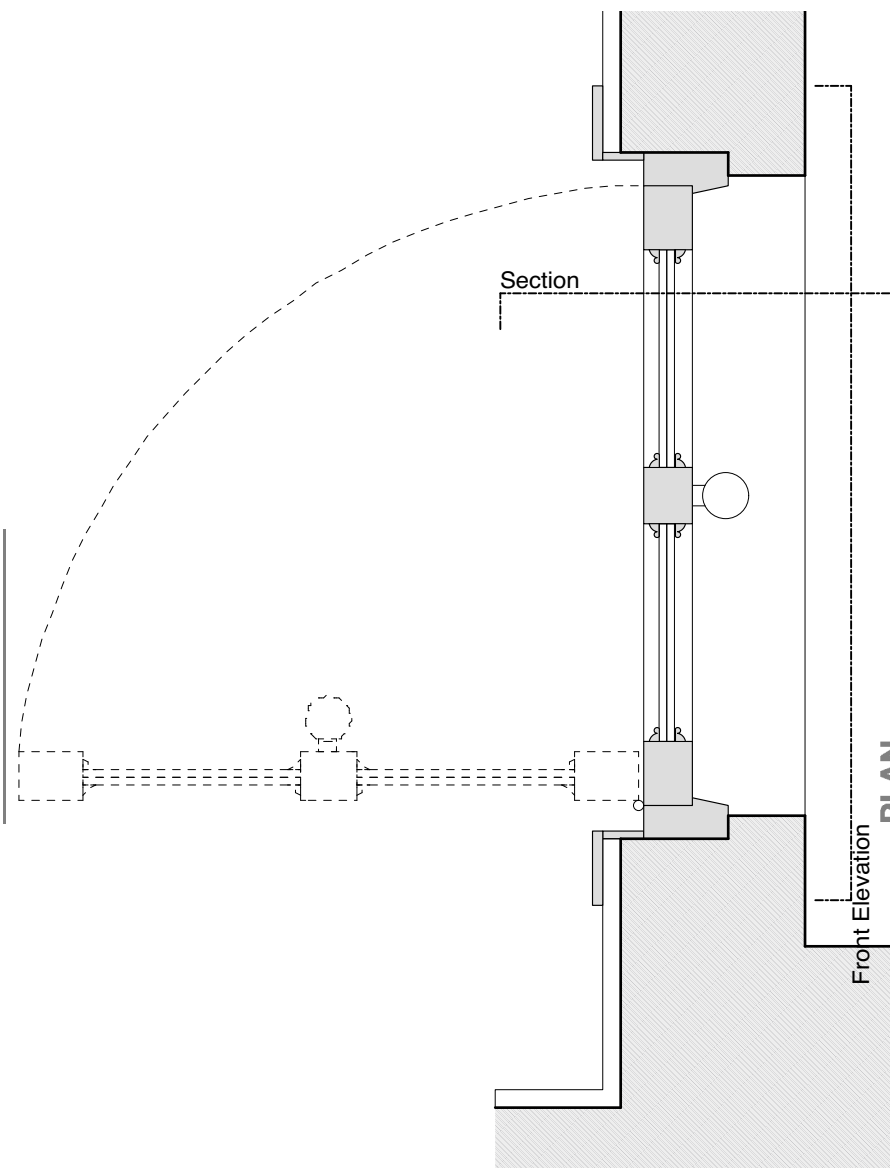
SECTION



Millimeters (mm)

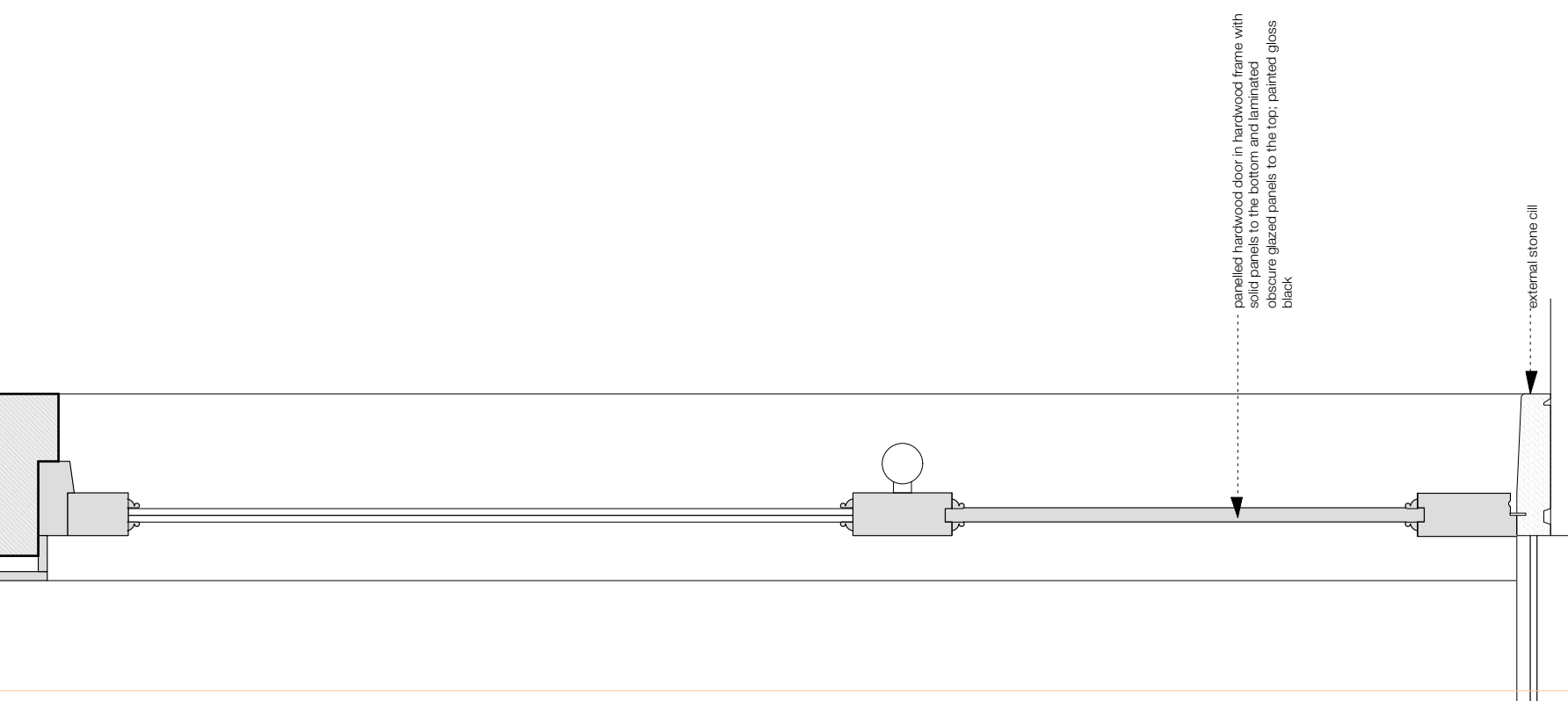


FRONT ELEVATION



Section

PLAN



SECTION

panelled hardwood door in hardwood frame with solid panels to the bottom and laminated obscure glazed panels to the top; painted gloss black

external stone cill

**JOHANNA MOLINEUS ARCHITECTS**

22 Great Chapel Street  
 London W1F 8FR  
 0207 734 8320  
 info@johannamolineus.com

© 2017 Johanna Molineus Architects Ltd

Do not scale dimensions from drawing. Check all dimensions on site prior to commencement of work. Do not copy or use this drawing without written consent. Issue or publication does not convey or imply grant of licence. If the drawing exceeds the quantities in any way the architects are to be informed before work is commenced. Drawing to be read in conjunction with structural engineer's drawings and specification.

client

The Bedford Estates

project

4 Bloomsbury Place,  
 Bloomsbury, London  
 WC1A 2QA

issue

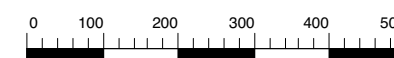
Planning

drawing title

Proposed D.LG.02

date	drawn by	revision
Oct 17	SR	

scale	checked by	drawing
1:10@A3	PB	257.04-902



Millimeters (mm)