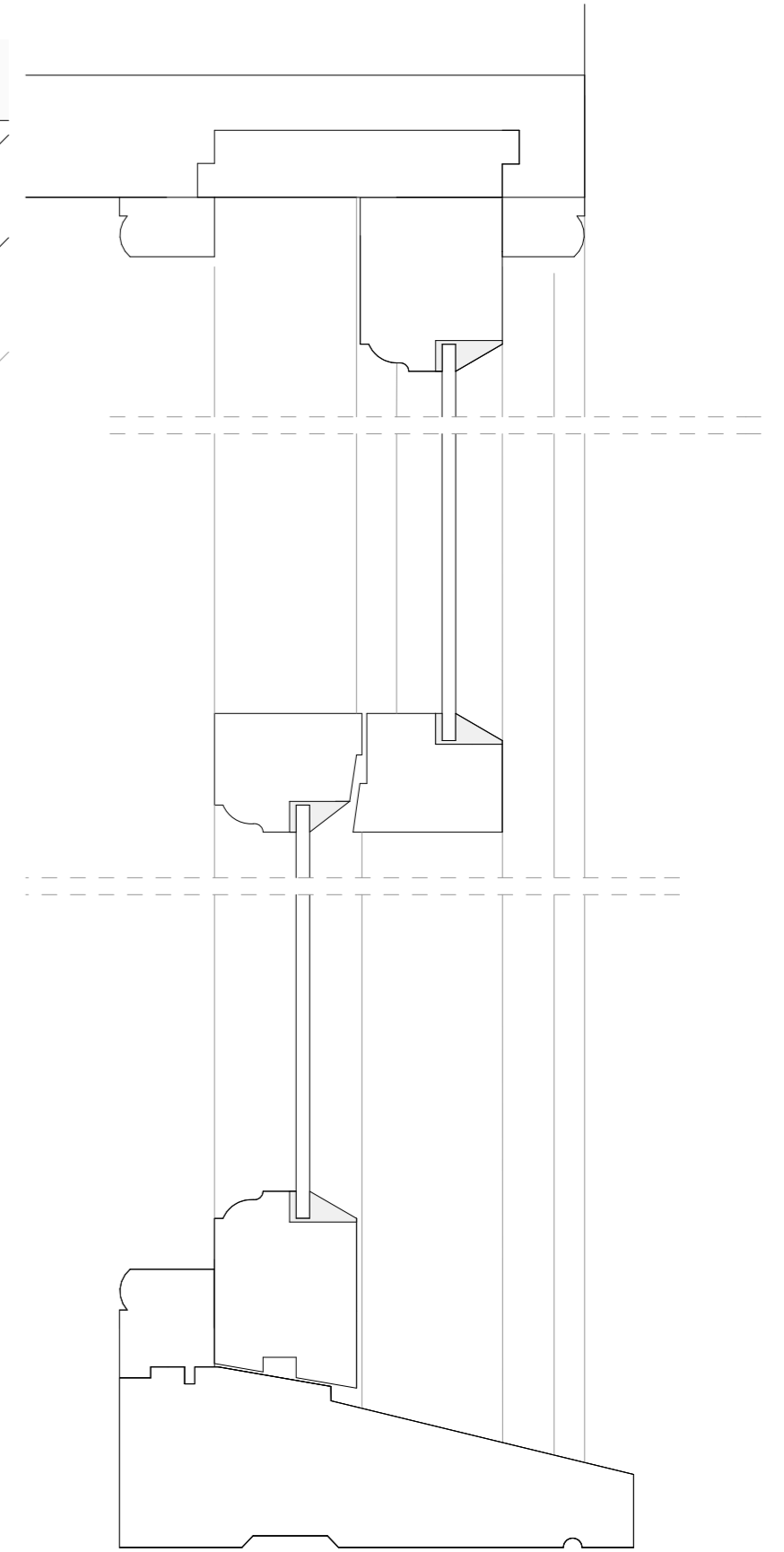
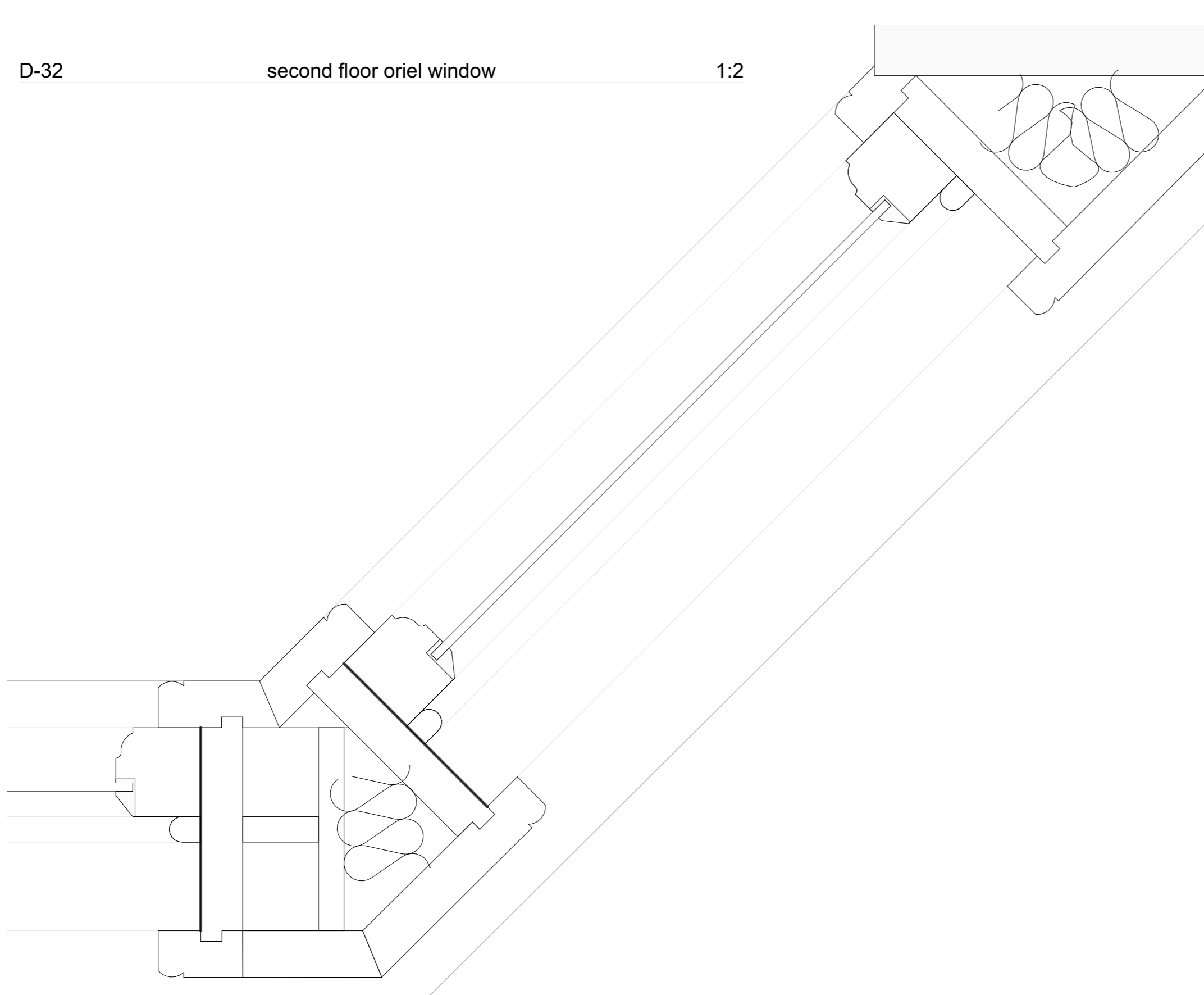


D-32

second floor oriel window

1:2



S-34

Detail

1:2



RevID	ChID	Change Name	Date

0381 24, Perrins Walk
Mr Chiew Y Chong

24, Perrins Walk
London
NW3 6TH

Proposed Oriel Window - Details
1:50, 1:100, 1:2, 1:20@A3

Drg No:0381.04.2.28 G Rev:
File: 0381 -20-15 Single Glazed REV G.pln
04/12/2017

Jacques Partnership

Architecture and Planning

Studio 5, Fosse Farm Barns

Nettleton

Chippenham

Wilts SN14 7NJ

01249 783533