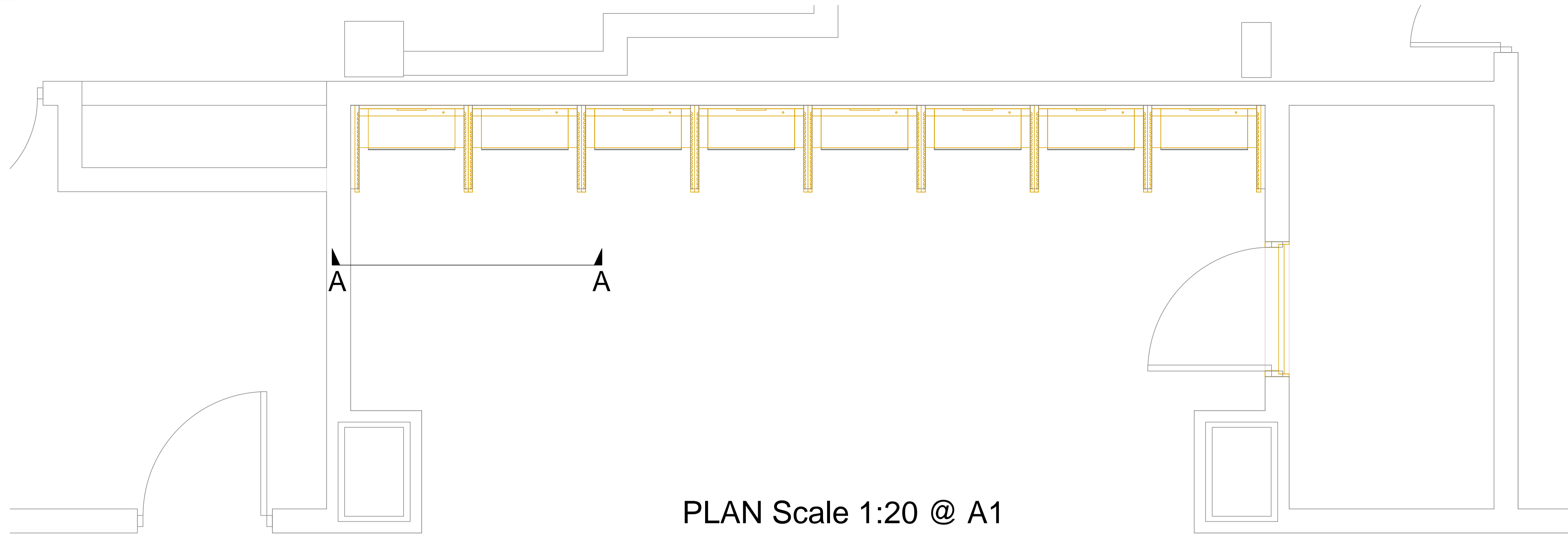
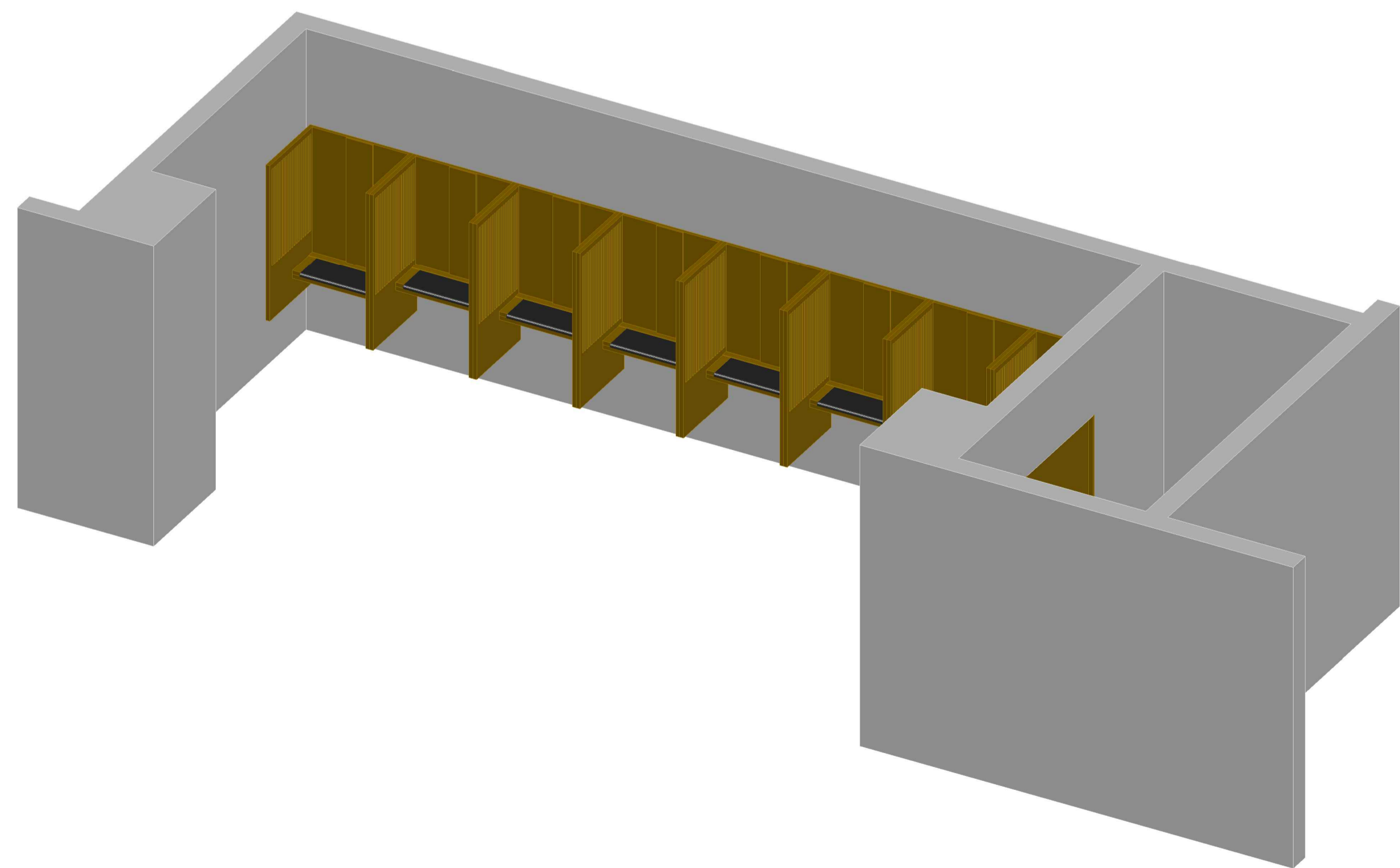


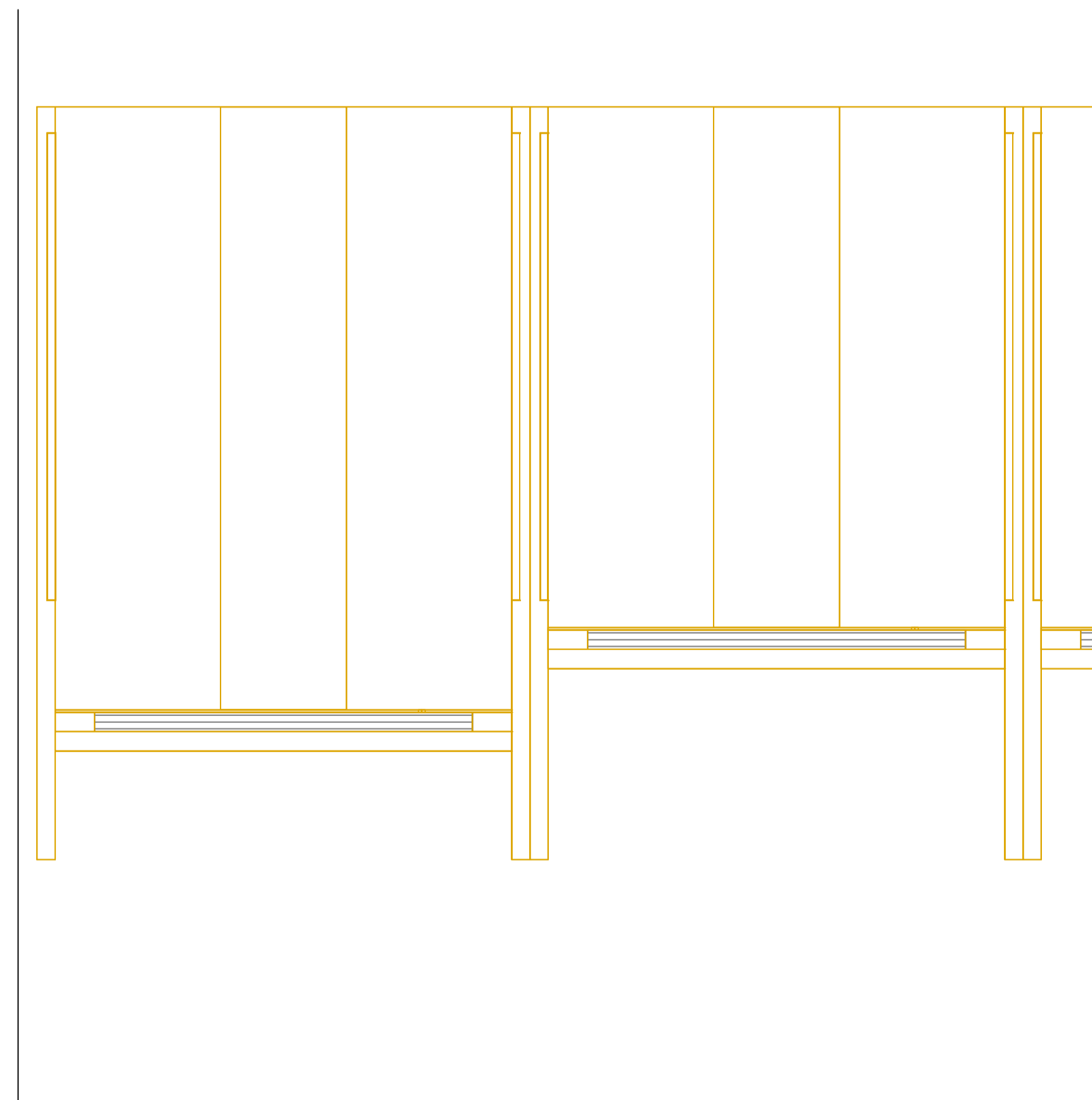
NOTES



PLAN Scale 1:20 @ A1



3D N.T.S.



ELEVATION A-A
Scale 1:10 @ A1

THIS DRAWING REPRESENTS THE BRITISH LIBRARY ENGINEERING SERVICES CURRENT UNDERSTANDING OF THE BUILDING FUNCTION. EVERY REASONABLE EFFORT HAS BEEN MADE TO ENSURE THE ACCURACY OF THIS DRAWING. HOWEVER THE ONUS FALLS UPON THE RECIPIENT TO SATISFY THEMSELVES OF THE DRAWING CONTENTS. PLEASE NOTIFY ENGINEERING SERVICES OF ANY DISCREPANCIES FOUND. DRAWING LAST UPDATED:

ENGINEERING SERVICES

PROJECT
ST PANCRAS

PROJECT No.
0000

TITLE
TELEPHONE BOOTHS AS EXISTING

STATUS
FOR INFORMATION

SCALE **1:400** ORIGINAL PAPER SIZE **A1**

DRAWN BY **CAD Services** DATE **22/11/2017**

CHECKED BY DATE

CAD REFERENCE **200/gd11.dwg** REVISION **B**

DRAWING No.
BL/0000/200/OO/A1/02