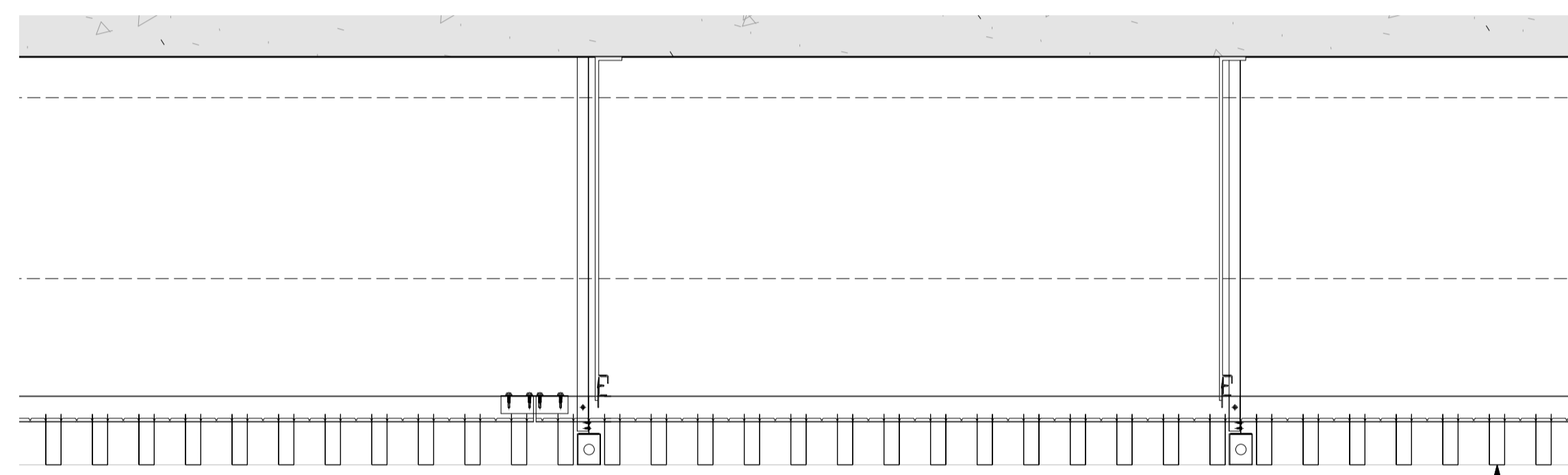
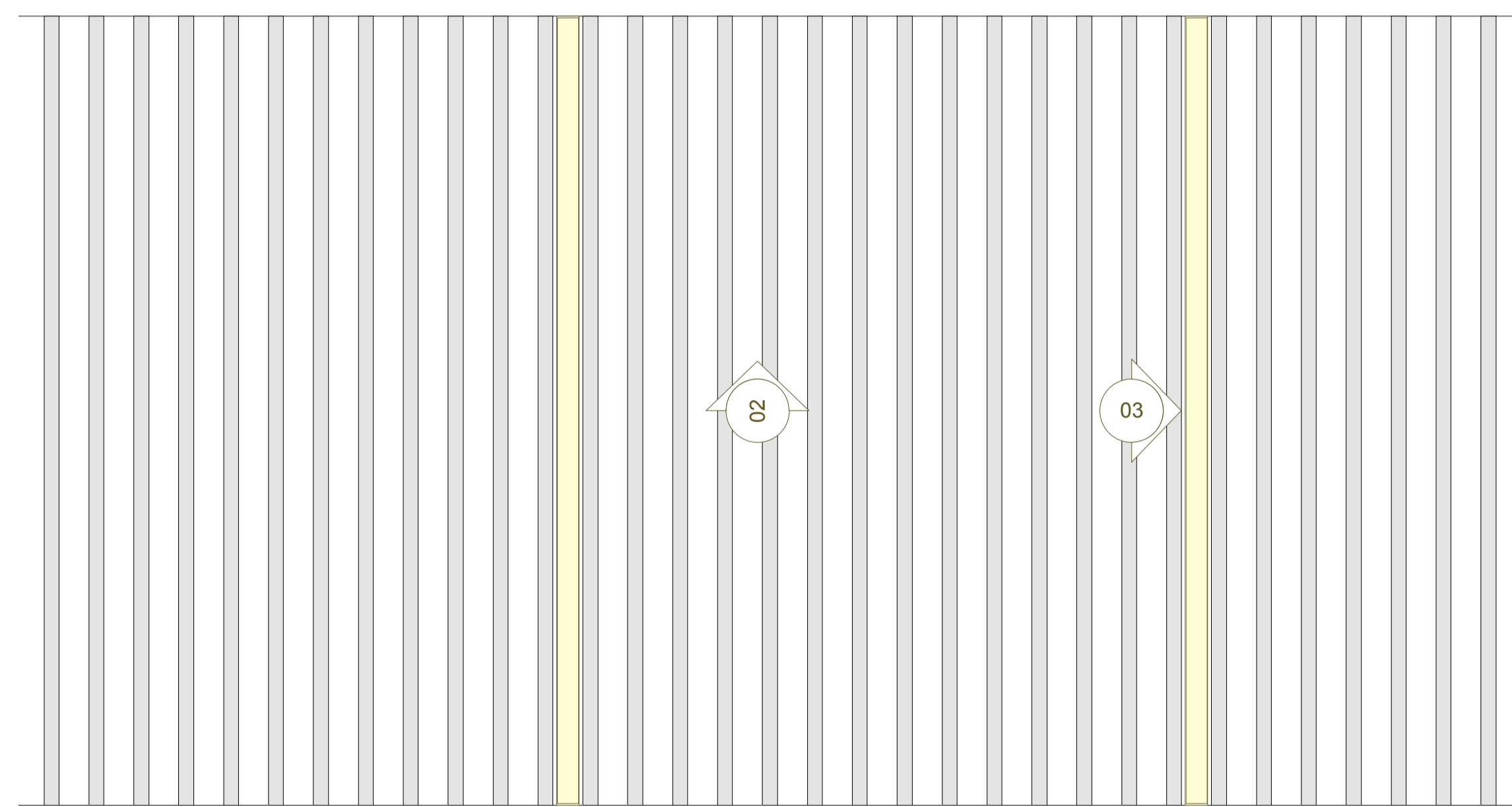


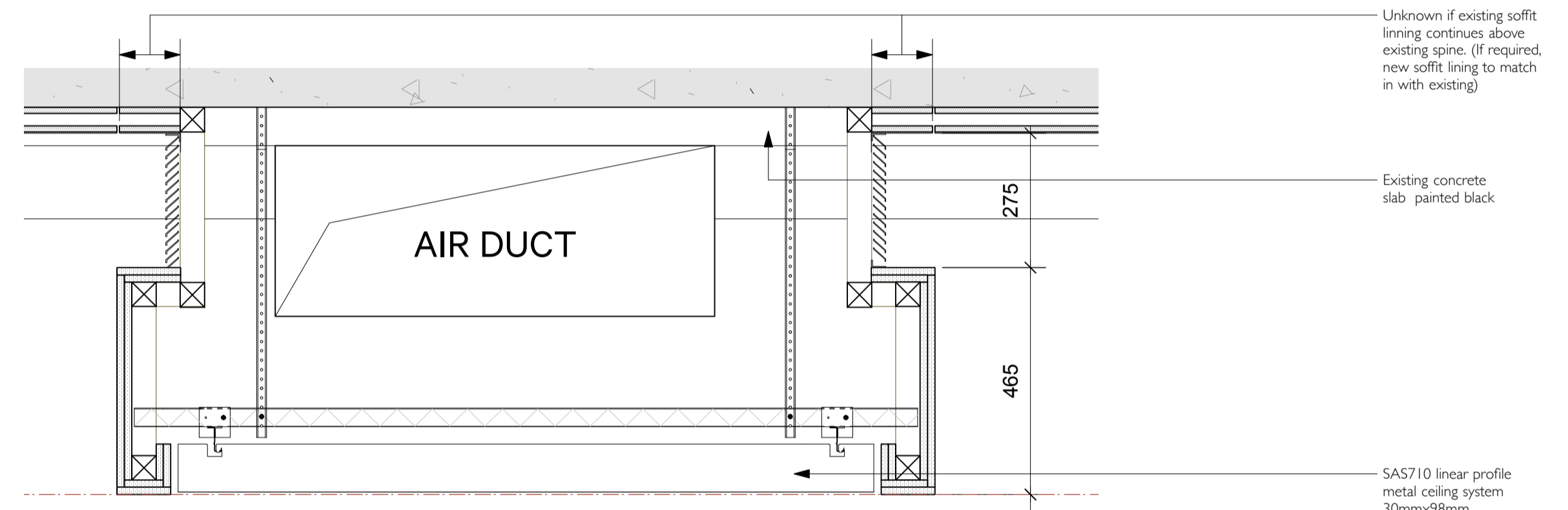
01 Long section  
1:25 @ A1



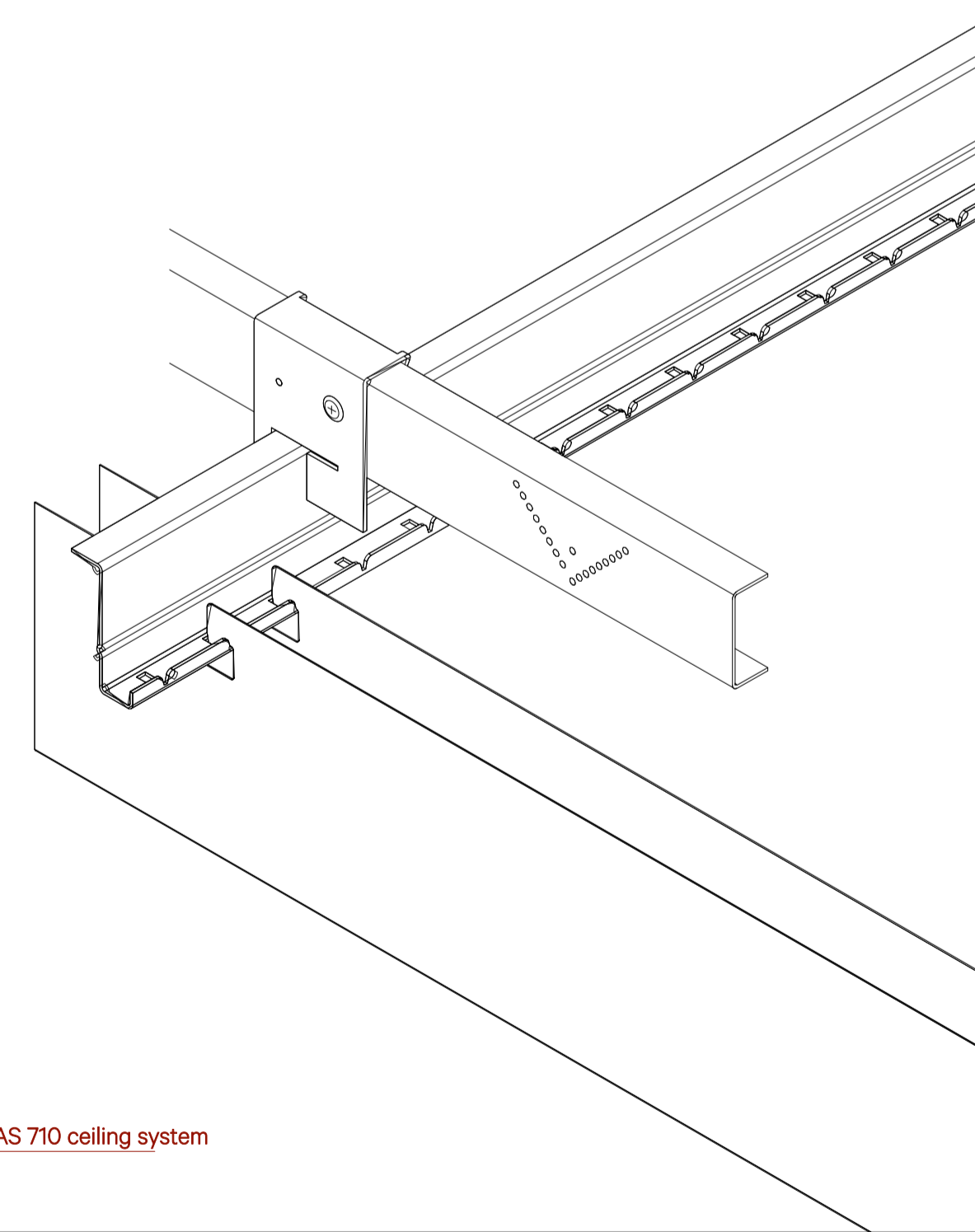
02 Spine Long section  
1:10 @ A1



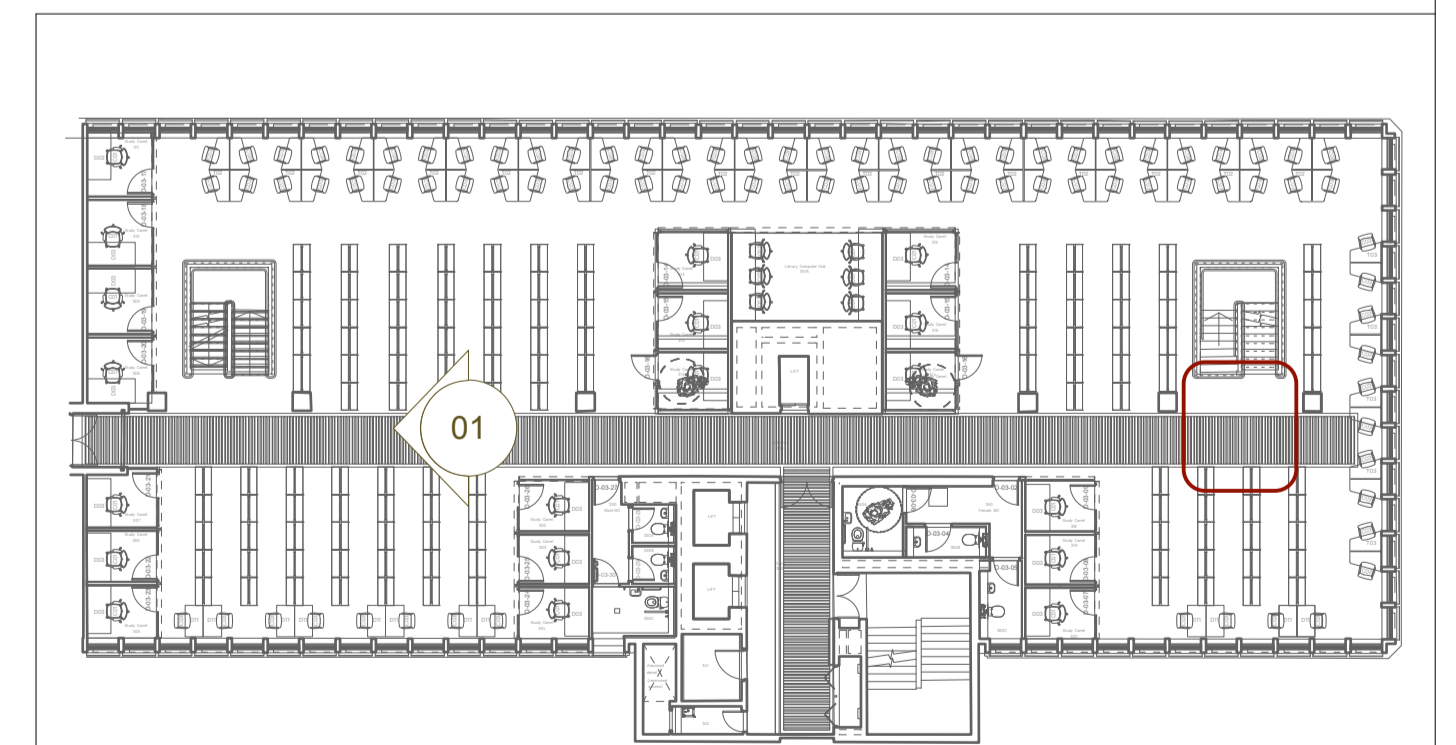
04 Spine RCP  
1:10 @ A1



03 Spine Short section  
1:10 @ A1



05 Isometric of SAS 710 ceiling system  
NTS



Revision	Date	Amendment	Notes						
/	10.11.17	Planning Issue							
A	22.11.17	Final Planning Issue							
				Client		University of London		Burwell Deakins	
				Project		IALS Refurbishment		info@burwellarchitects.com	
				Drawing		Spine Ceiling Details		www.burwellarchitects.com	
				Scale		1:25 & 1:10 @ A1		Unit 051	
				Date		November 2017		California Building	
				Project N°		739		London SE13 7SF	
				Drawing N°		739/PL/120		© Southernhay	
				Revision		A		West Exeter EX1 1JG	
								+44 (0) 2083 056010	
								+44 (0) 1392 423981	

NO DIMENSIONS ARE TO BE SCALED FROM THIS DRAWING. THE CONTRACTOR/MANUFACTURER IS RESPONSIBLE FOR CHECKING ALL DIMENSIONS AND QUERYING ANY DISCREPANCIES. THIS DRAWING IS THE PROPERTY OF BOA ARCHITECTS LTD. COPYRIGHT IS RESERVED BY THEM AND THE DRAWING IS ISSUED ON CONDITION THAT IT IS NOT COPIED, REPRODUCED, RETAINED OR DISCLOSED TO ANY UNAUTHORISED PERSON, EITHER WHOLLY OR IN PART, WITHOUT WRITTEN CONSENT.