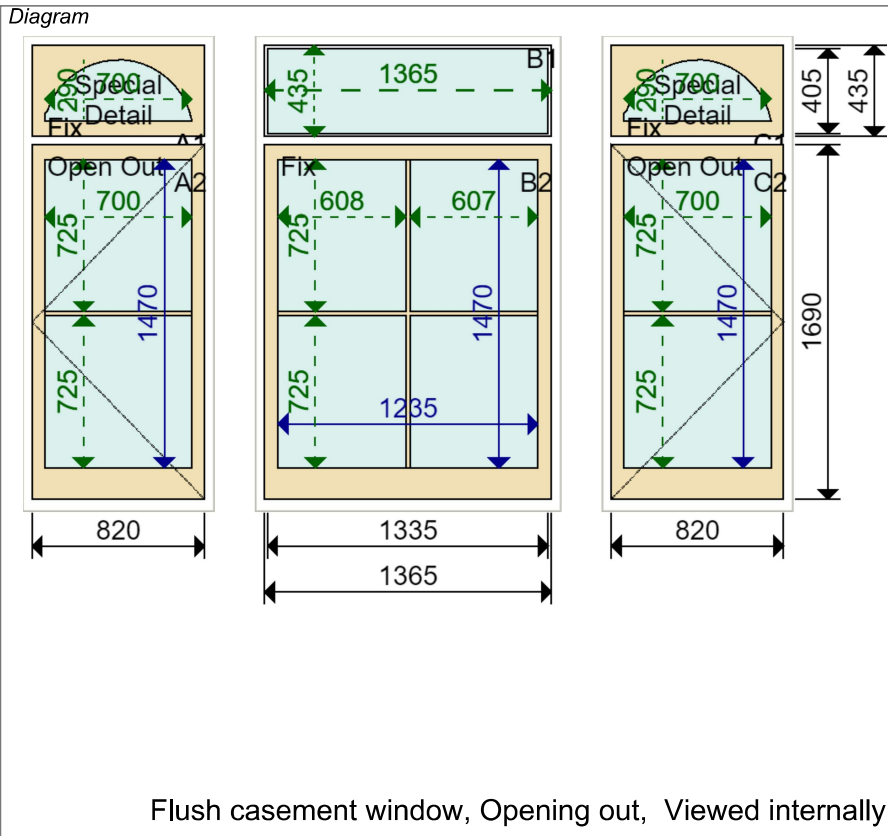


JOINERY DETAIL SHEET

5 New Casement Sashes to Existing Frame

| | | | |
|----------------------------|-------------------------|---------------------|------------------------|
| Customer Hohmann | Job No D31702 | Item No 1 | Sheet 1 of 3 |
|----------------------------|-------------------------|---------------------|------------------------|



Sectional Details

| | | |
|-------------------------|---------------------------------|---------------------|
| Sash Head | 70 mm | 360.9, 70, 70, 360, |
| Sash Stile | 60, 60, 60, 60, 65, 65, 60, 60, | 60 |
| Fanlight Btm Rail (int) | 75 mm | |
| Sash Btm Rail | 150 mm | Square |
| Sash Thickness | 45 mm | |
| | | |
| Direct Glazed Unit(s) | | |
| | | |

Location
Ground Floor Front Living Room

Material
Accoya

Quantity
5 Sashes

| | |
|-----------------|---------------------------|
| Glazing Bar | 20 mm with 4 mm Nib |
| Profile | Ovolo |
| Moulding Cutter | 6 x 10 with 5 mm shoulder |
| Glazing Rebate | 15 x 28 mm |

Ironmongery

- 2 x Casement Window Lock White
- 2 x Handle Casement Bulb End & Mortice Plate PB
- 6 x Hinge Butt PB 3 inch
- 2 x Lock Chubb Window Key
- 2 x Stay Casement Bulb End PB 12 inch

Glazing

| | Internal Pane | Spacer | External Pane |
|-----------------|--------------------------|--------|---------------|
| Fan | 4mm Planitherm | 10mm | 4mm Low Iron |
| Case | 4mm Planitherm | 10mm | 4mm Low Iron |
| DirGU | 4mm Planitherm | 10mm | 4mm Low Iron |
| Putty Line Bead | Black Tape, White Spacer | | Argon Filled |

Paint Finish

| | |
|----------|----------------|
| Internal | Standard White |
| External | Standard White |

Production Notes

*PLEASE SEE SHEET 2 & 3 FOR FANLIGHT AND DIRECT GLAZING DETAILS.

Installation Notes

Installed: Internally

- OUT OF SQ HORIZ 15-20mm, VERTICAL 0mm LHS/8mm CENTRE/5mm RHS.
- BISCUIT CUT DRAUGHTSEAL.
- FIT NEW STOPS FOR DIRECT GLAZING.

2 | 10 | 5 | 28

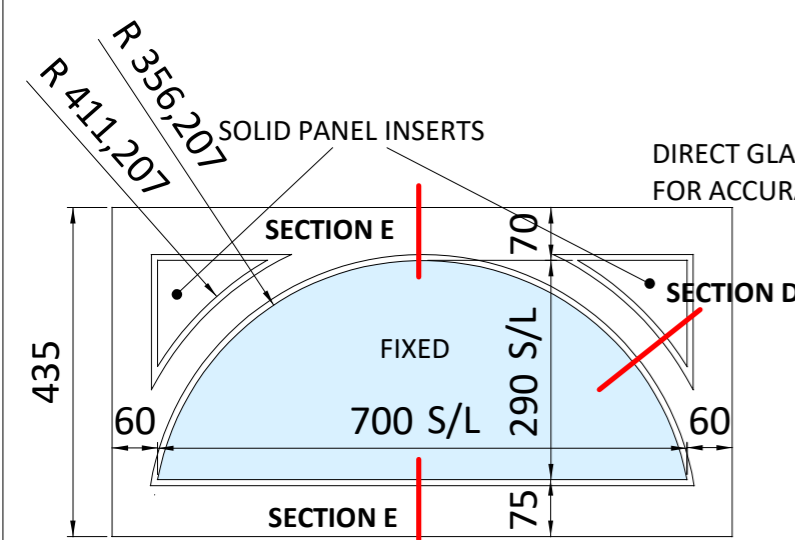
Job Tracking

Order received: 22-09-2017
 Sold by: Daniel Soady
 Surveyed by: Chris Jewiss

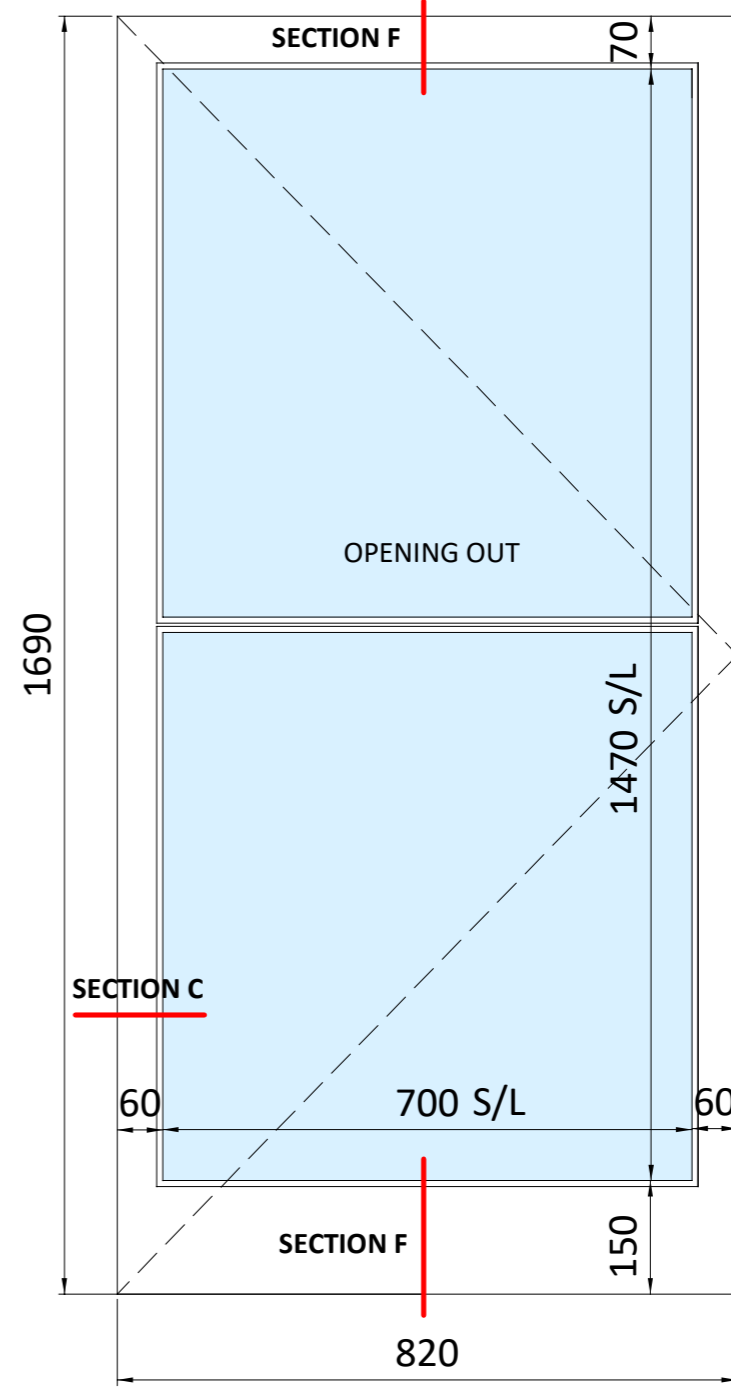
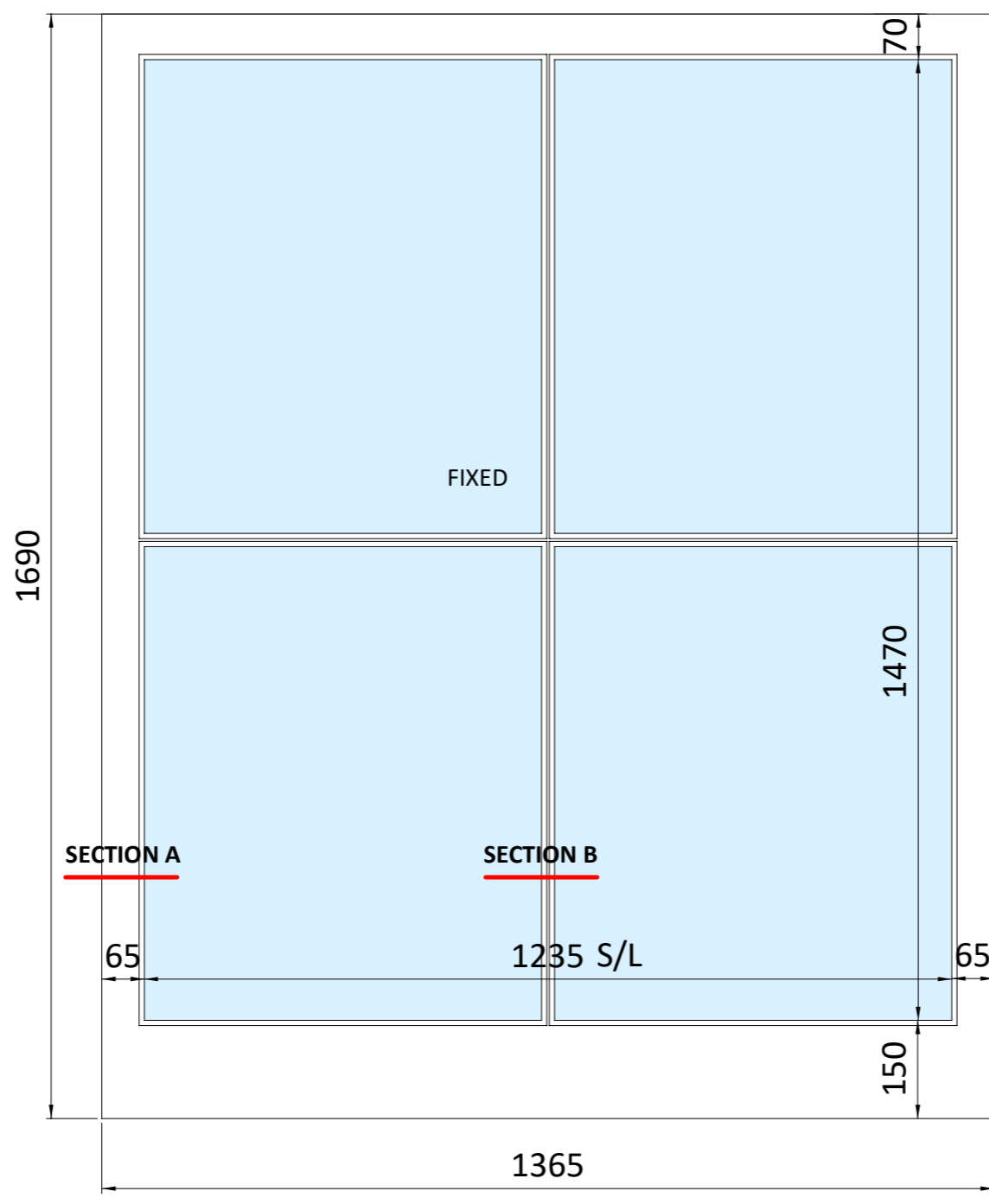
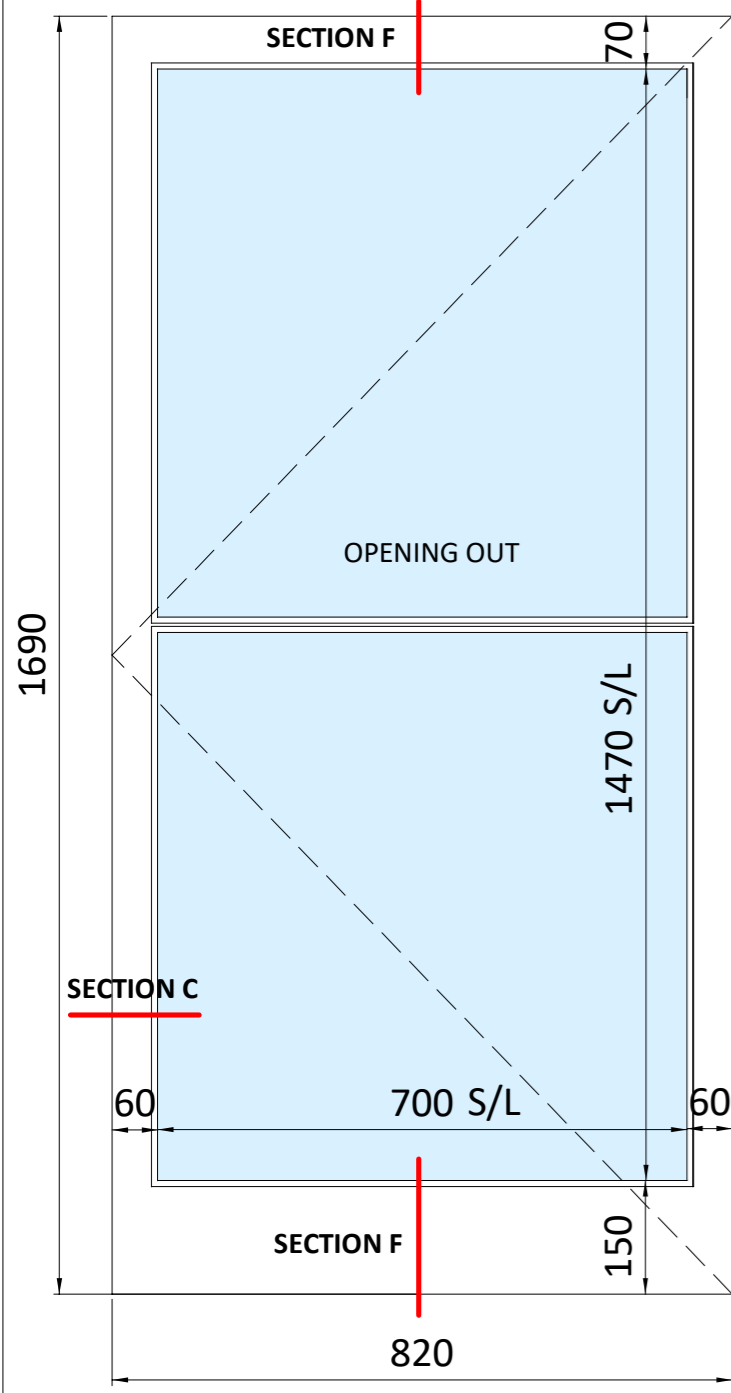
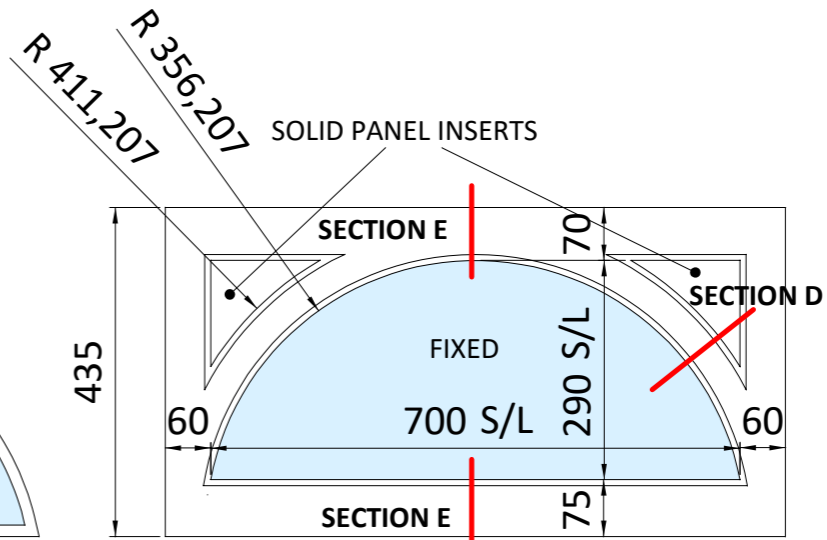
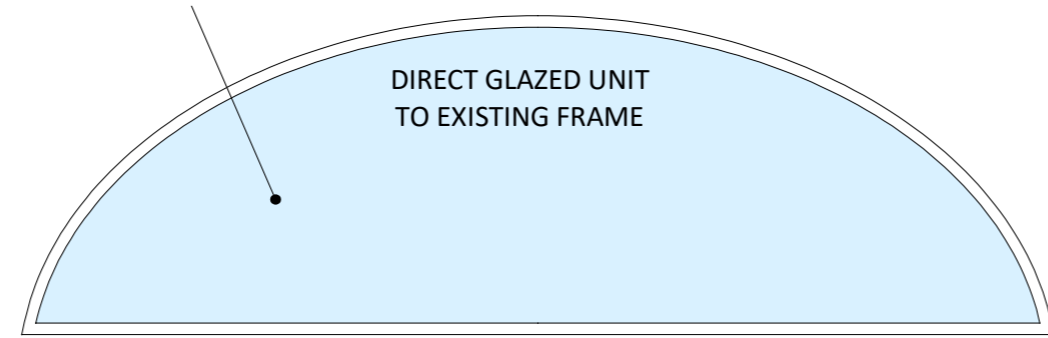
Print date: 18-10-2017
 Last modified by: Chris Jewiss
 Last modified date: 18-10-2017

Plantation Shutters: Remove and Re-fit

| | |
|-----------|------------|
| Drawn by: | C JEWISS |
| scale: | 1:10 at A3 |
| Issue No: | 01 |
| Date: | OCT 2017 |



DIRECT GLAZED UNIT MUST BE CHECKED PRE-INSTALLATION FOR ACCURATE RADIUS



Notes:

- GLASS
4mm PLANITHERM /
5mm ARGON CAVITY /
4mm LOW IRON
- PAINT
STANDARD WHITE
SEMI GLOSS INSIDE
& OUT

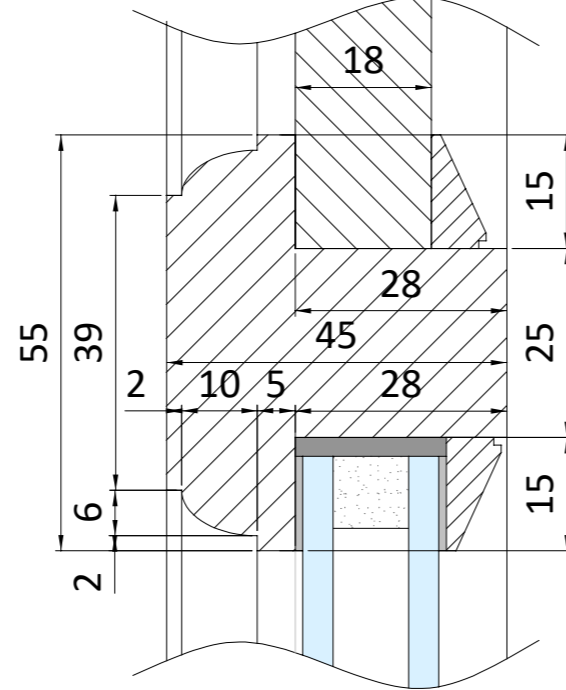
5 NEW CASEMENT SASHES INTO EXISTING CASEMENT FRAME WITH 1 DIRECT GLAZED UNIT

INTERNALLY VIEWED
SCALE 1:10

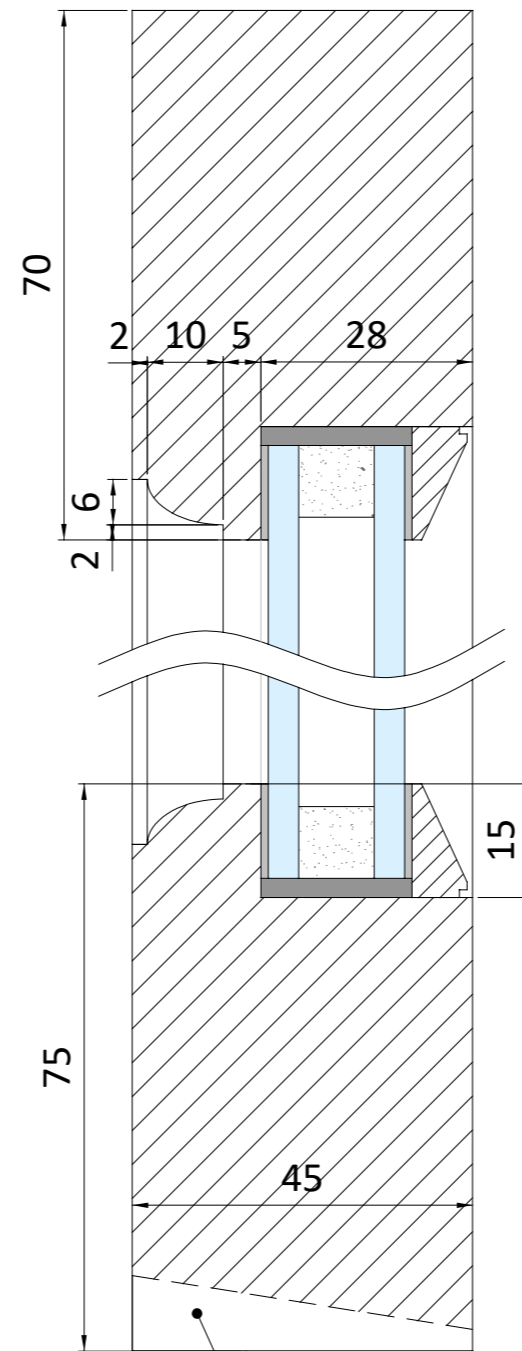
ITEM 1

| | |
|-----------|-----------|
| Drawn by: | C JEWISS |
| scale: | 1:1 at A3 |
| Issue No: | 01 |
| Date: | OCT 2017 |

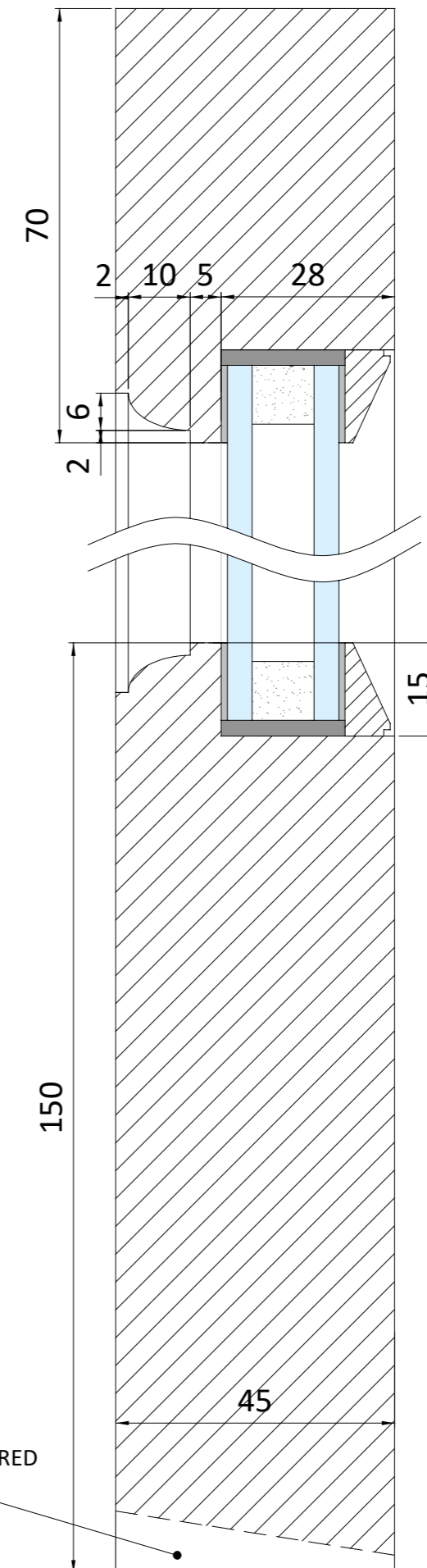
**SECTION D - FANLIGHT MUNTIN
SCALE 1:1**



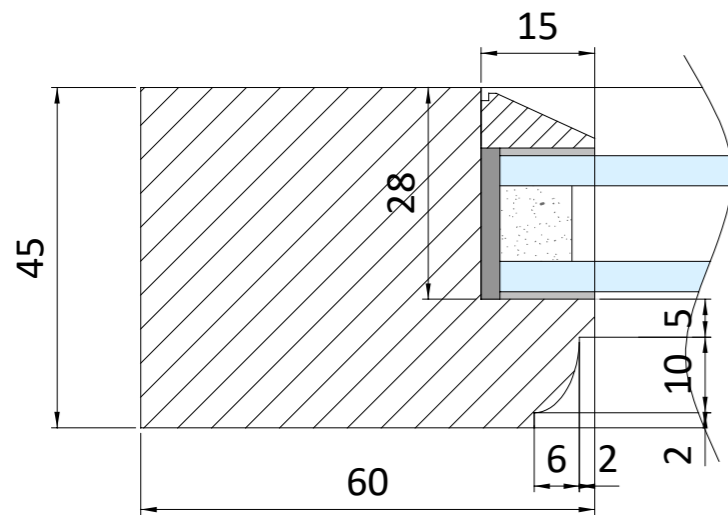
**SECTION E - FANLIGHT HEAD
& BOTTOM RAIL
SCALE 1:1**



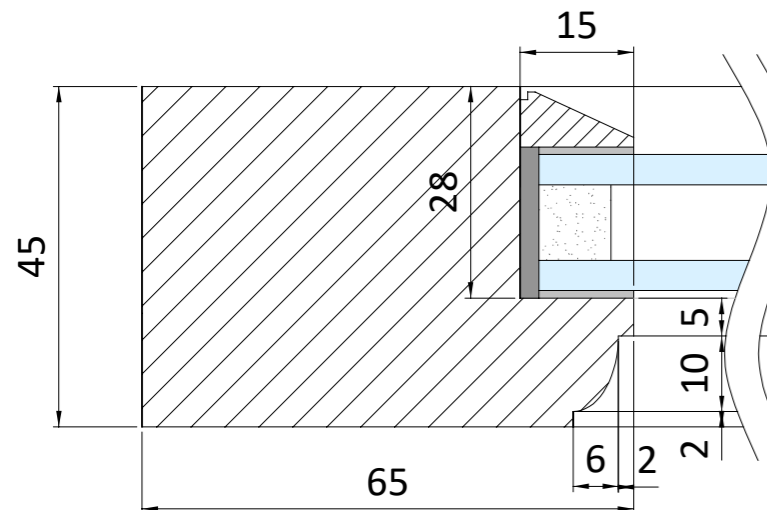
**SECTION F - CASEMENT HEAD
& BOTTOM RAIL
SCALE 1:1**



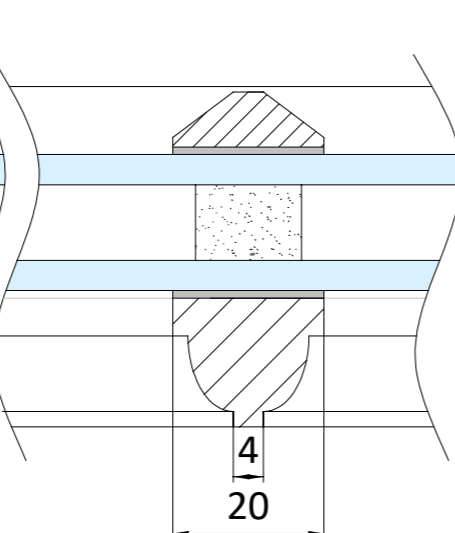
**SECTION C - CASEMENT STILE
SCALE 1:1**



**SECTION A - CASEMENT STILE
SCALE 1:1**



**SECTION B - GLAZING BAR
SCALE 1:1**



BOTTOM RAILS CHAMFERED
ON SITE TO FIT CILL

Notes:
GLASS
4mm PLANITHERM /
5mm ARGON CAVITY /
4mm LOW IRON

PAINT
STANDARD WHITE
SEMI GLOSS INSIDE
& OUT

**5 NEW CASEMENT SASHES
INTO EXISTING CASEMENT
FRAME WITH 1 DIRECT
GLAZED UNIT**

ITEM 1