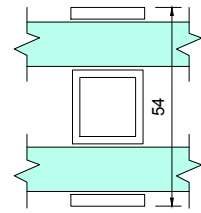
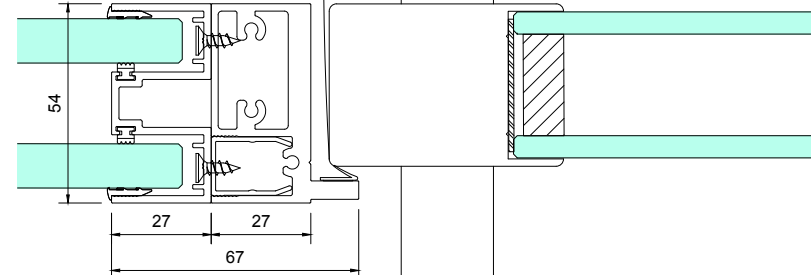


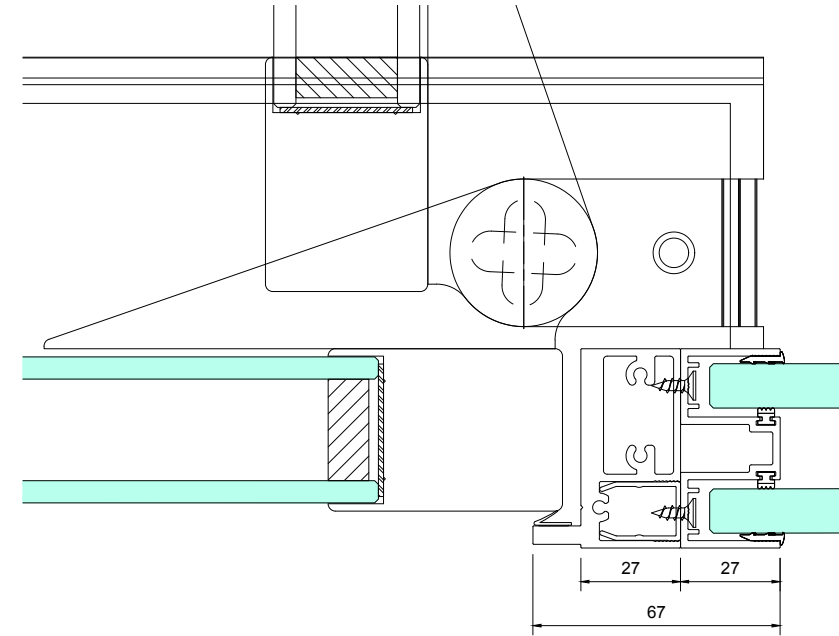
01 ABUTMENT SECTION
SCALE 1:2



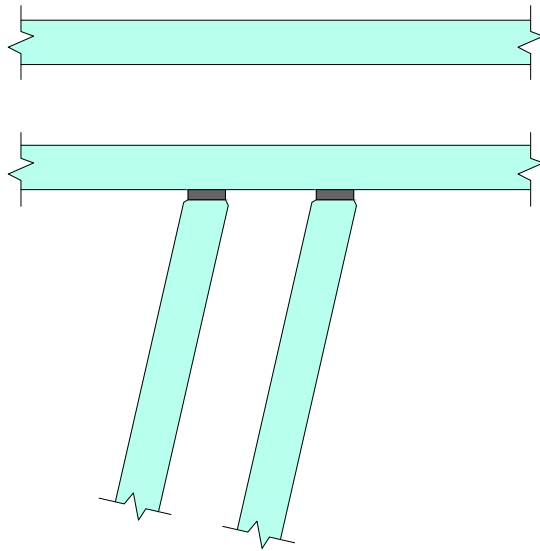
02 INDUSTRIAL LOOK TRIMS
SCALE 1:2



03 DOORFRAME CLOSING STILE
SCALE 1:2



03 DOORFRAME CLOSING STILE
SCALE 1:2



05 ANGLED 3-WAY JOINT
SCALE 1:2

CDM RESIDUAL RISKS

THIS DRAWING HAS BEEN REVIEWED AGAINST CONSTRUCTION DESIGN AND MANAGEMENT REGULATIONS 2015 AND KNOWN SIGNIFICANT RESIDUAL RISKS HAVE BEEN IDENTIFIED BELOW

HAZARDS	DATE
MANUAL HANDLING CUTS & LACERATIONS	25/11/16 25/11/16

INFORMATION TABLE

SYSTEM TYPE:

SPECIFICATIONS

SCREEN(S)	
DOOR(S)	
FIRE RATING	NON FIRE RATED
STRUCTURAL	0.74kN LINE LOAD
DEFLECTION	+/-25mm

ACOUSTICS

SCREEN	45RW(DB)
DOOR	42RW(DB)

SYSTEM MATERIALS & FINISHES

MATERIAL	ALUMINIUM
FINISH	RAL TBC
MATERIAL	N/A
FINISH	N/A
MATERIAL	N/A
FINISH	N/A
GLASS	12.8mm ACOUSTIC LAMINATE
GLASS	12mm CFT
GLASS	N/A
NOTES	N/A

DOOR MATERIALS & FINISHES

TYPE	SONOTEC
GLASS	DOUBLE GLAZED UNIT
MATERIAL	ALUMINIUM
FINISH	RAL TBC

IRONMONGERY TYPE / FINISH

FLOORSPRING
Ø22x1200 CRANKED SSS GUARDSMAN PULL HANDLE
FLOORSTOPS

MANIFESTATION

MATERIAL	N/A
PATTERN	N/A

C01 ISSUED FOR APPROVAL	04/01/2017 JAM
REVISION / REASON	DATE / OWNER

PLANET CONTRACTING LTD (SOUTH)
PLANET HOUSE
EDWARD WAY
BURGESS HILL
WEST SUSSEX
RH15 9TZ
T: 01444 247933
www.planetpartitioning.co.uk



Project
ACADEMIC HOUSE, BAUER MEDIA GROUP

Client
ISG
Description
PARTITION TYPE P-04 PLAN SECTIONS

Drawing No PS_1143_0005	Revision C01
----------------------------	-----------------

Scale AS STATED @ A3	Date 04/01/17
-------------------------	------------------

Drawn JAM	Checked SH	Reference S7510
--------------	---------------	--------------------