

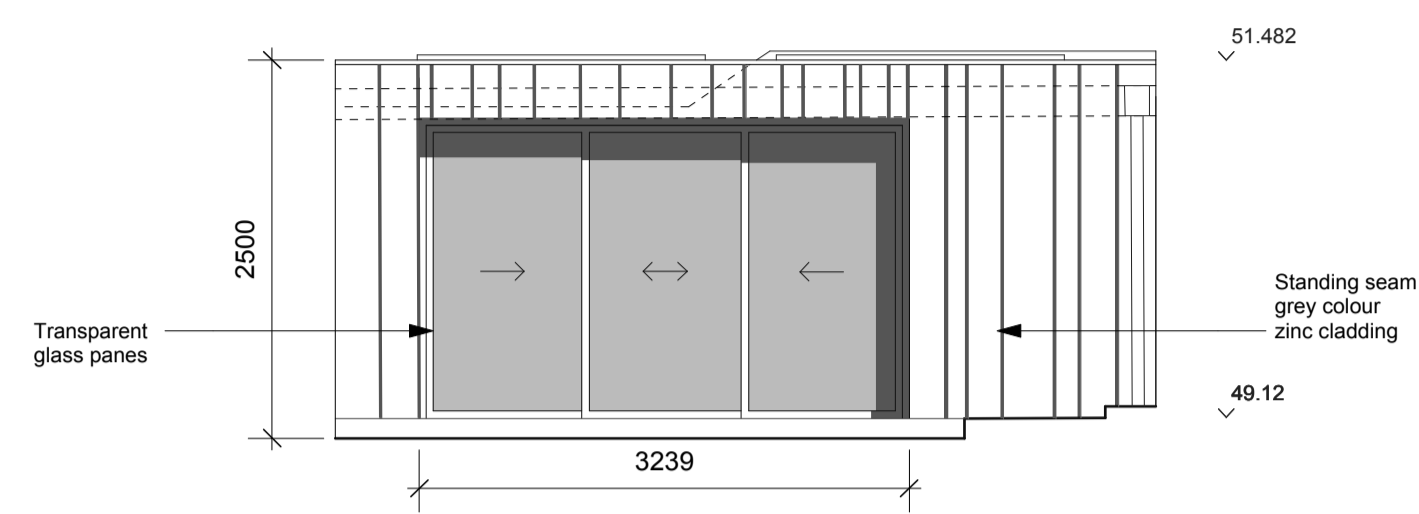
NOTES:

This drawing is issued for information only.

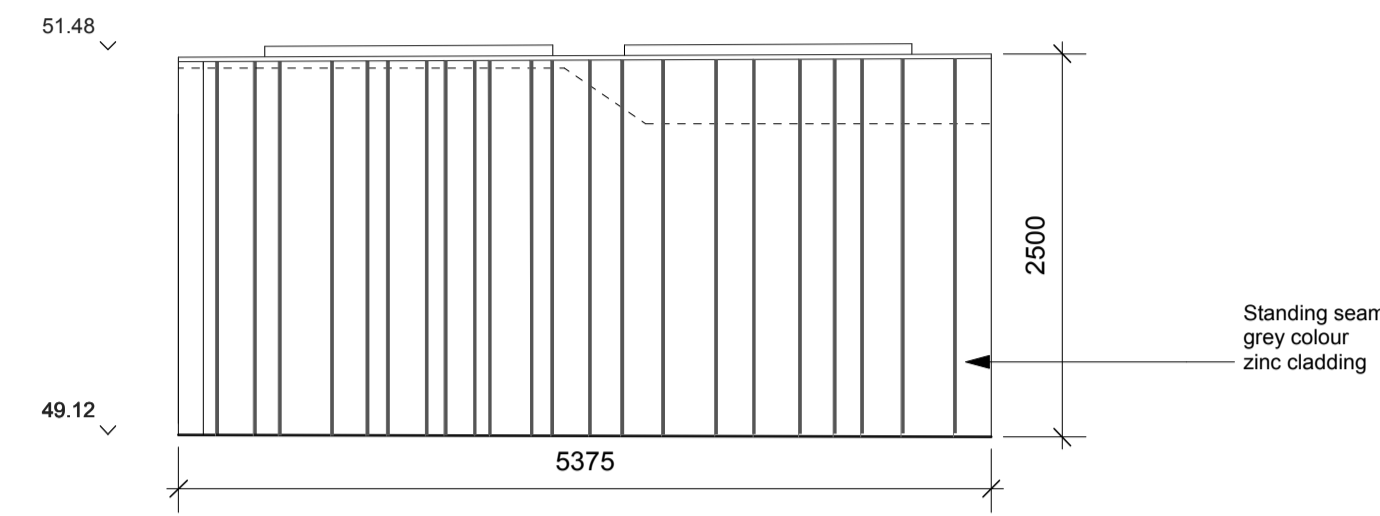
All dimensions to be checked on site and any discrepancies are to be raised with the drawing issuer for clarification. Dimensions are not to be scaled from this drawing. The information shown on this drawing is subject to measured surveys and structural engineer's designs.

No building work is to be carried out on the basis of this drawing, without the written consent of Amos Goldreich Architecture.

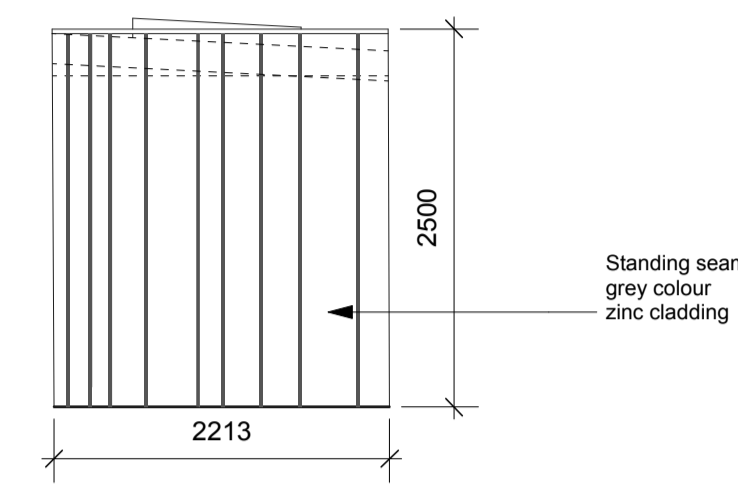
Print with page scaling set to none.



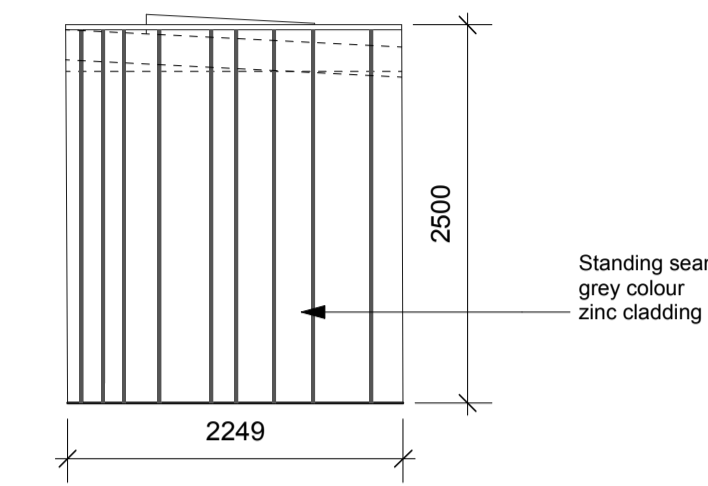
1 Proposed north elevation
Scale: 1:50



2 Proposed south elevation
Scale: 1:50



3 Proposed east elevation
Scale: 1:50



4 Proposed west elevation
Scale: 1:50

Amos Goldreich Architecture
Studio 32
Bickerton House
25 Bickerton Road
London N19 5JT
T +44(0)207272 2532
E info@agarchitecture.net
www.agarchitecture.net

rev	date	initials	description
A	20.11.2017	MR	Amended height as requested by planning case officer

location

project
63 Hemstal Road

drawing title
Proposed standalone elevations

drawn MR	scale @ A1 1:50	status Planning
date 27.09.17	project number 129	rev. A
drawing number 202		