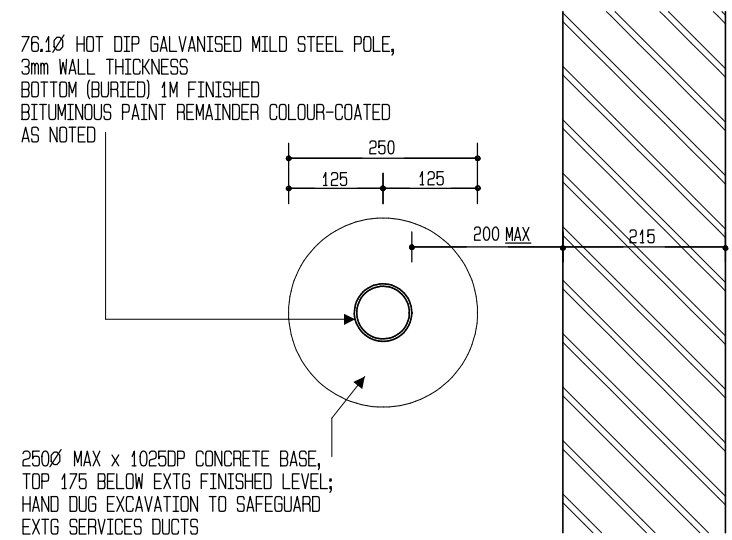


1:50 POLE DETAIL
ADJ TO TIMBER FENCE @
REAR OF FOOTPATH

1:50 POLE DETAIL
ADJ TO BWK WALL @
REAR OF FOOTPATH

1:10 ELEVATION OF 76Ø GALVANISED
COLOUR-COATED STEEL POST TOP



1:10 PLAN DETAIL OF
CONCRETE BASE

NB MAXIMUM DISTANCE FROM WALL INDICATED;
NORMAL CLEAR DISTANCE 87mm

POLE + WIRE HEIGHTS
ALL POLES TO BE @ 5500 ABOVE FOOTPATH LEVEL WITH
NOMINAL THICKNESS TRANSLUCENT MONOFILAMENT
SPANNING TAUT BETWEEN -- ABOVE ALL ROADS + TIED TO
STAPLES @ 2500 + 2700 AGL AS DETAILED

Rev'n D 11.17 MINOR REVISIONS TO FIXING DETAILS + SPEC DETAILS
Rev'n C 01.16 GEN ARRANGEMENT DWG REV'D, NOW SITE SPECIFIC TO LOCATION 08; Rev'n B OMITTED
Rev'n B 01.16 EXTENSION SPRING DETAIL ADDED TO 1:10 DETAIL
Rev'n A 01.16 POST TOP REV'D + STAPLE ANCHOR ADDED

DRAWING REF : 870-51 D

BRONDESBURY ERUV TYPICAL POLE & WIRE DETAILS

ROSENFELDER ASSOCIATES
Chartered Architects + Planning Consultants
10-12 Perrins Court Hampstead LONDON NW3 (020) 7794 4425