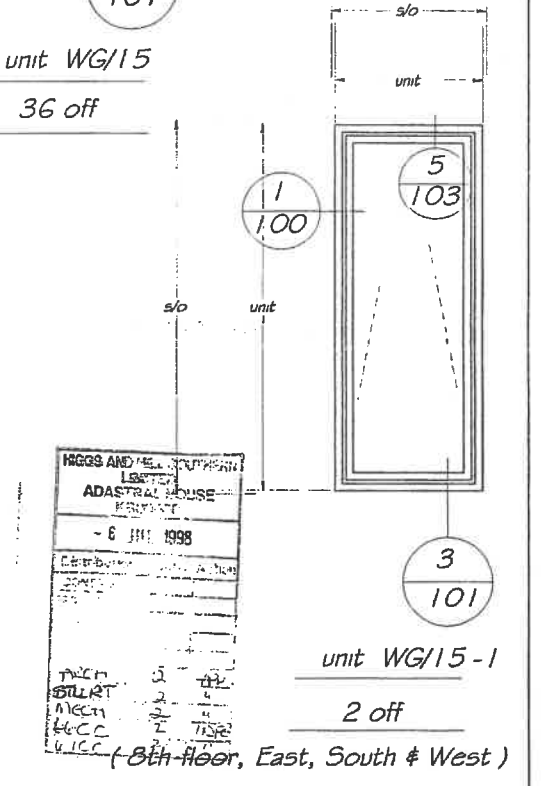
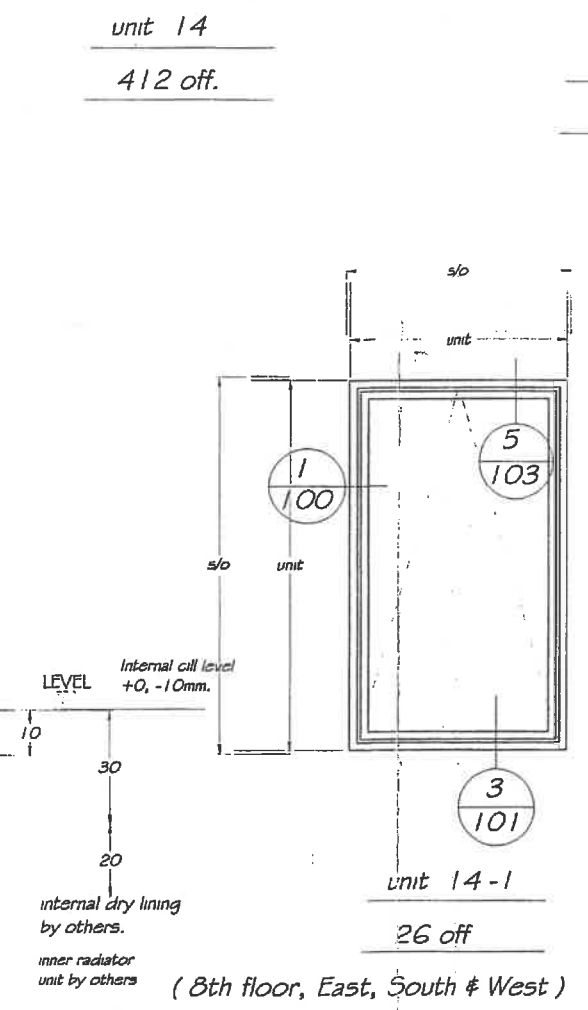
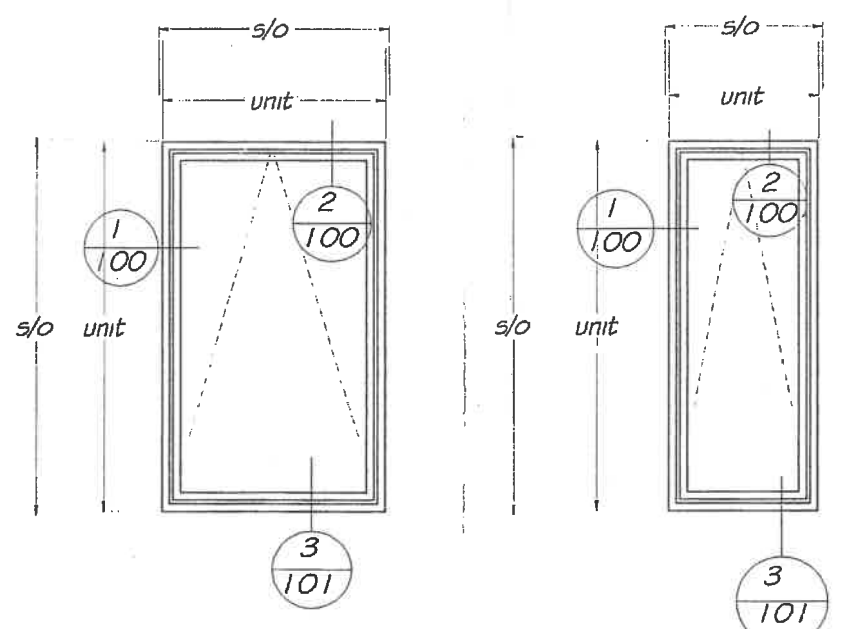
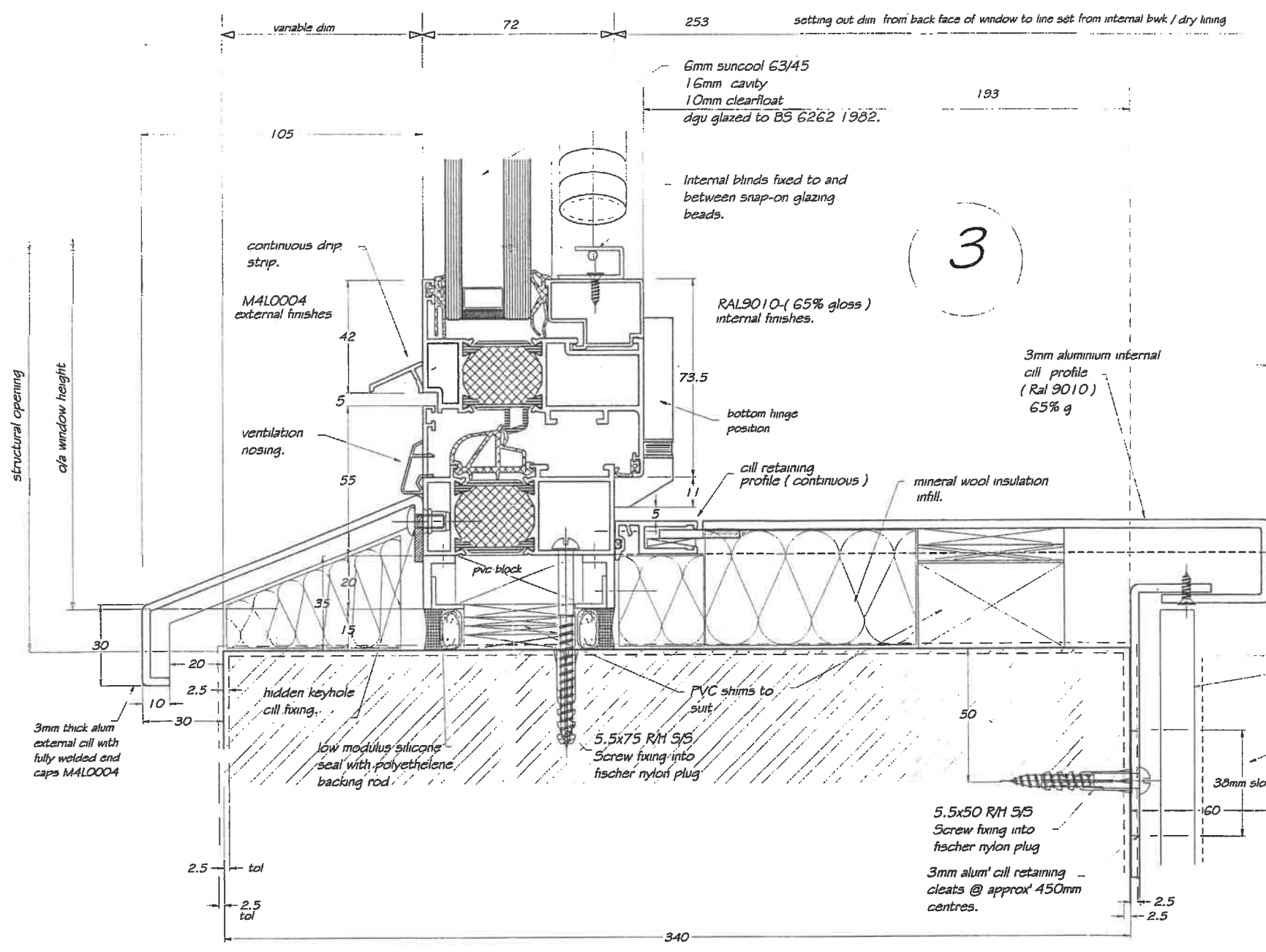


HIGGS AND HILL SOUTHERN LIMITED
ADASTAL HOUSE
KERRIDGE
19 JUN 1998

REVISION	DATE	DETAILS
DIMENSIONS		
FIGURED DIMENSIONS TO BE READ IN PREFERENCE TO SCALED		
THIS DRAWING IS COPYRIGHT		
HORSESHOE RD SPALDING Lincs PE11 3JB TEL: (01775)724351 FAX: (01775)760414		
CLIENT		
HIGGS & HILL SOUTHERN Ltd		
JOB TITLE		
1, THEOBALDS COURT		
DRAWING TITLE		
WINDOW DETAILS 1 & 2		
DRAWING No	96-3107-00-100	REV
SCALE	DATE	DRAWN BY
1:1	10-06-98	DTH



REVISION	DATE	DETAILS
A	3-7-98	Revised as S-G Comments 18-6-98.
DIMENSIONS FIGURED DIMENSIONS TO BE READ IN PREFERENCE TO SCALED		
THIS DRAWING IS COPYRIGHT		
contano		
HORSESHOE RD SPALDING Lincs PE11 3JB TEL: (01775)724351 FAX: (01775)760414		
CLIENT HIGGS & HILL SOUTHERN Ltd		
JOB TITLE THEOBALDS COURT		
DRAWING TITLE WINDOW DETAILS 3		
DRAWING No	98-3107-00-101	REV A
SCALE	1:1	DATE 10-06-98
		DRAWN BY DTH