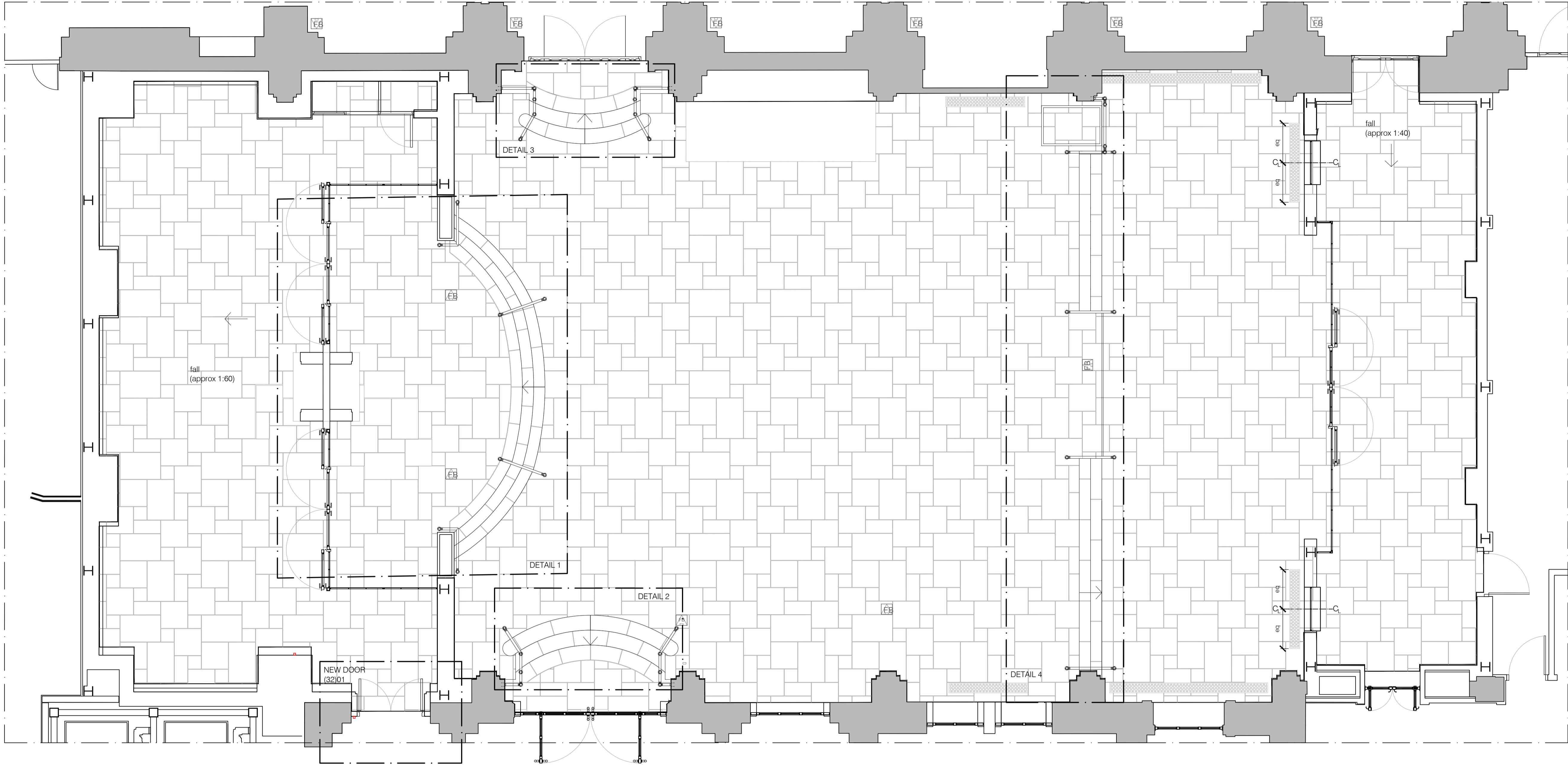
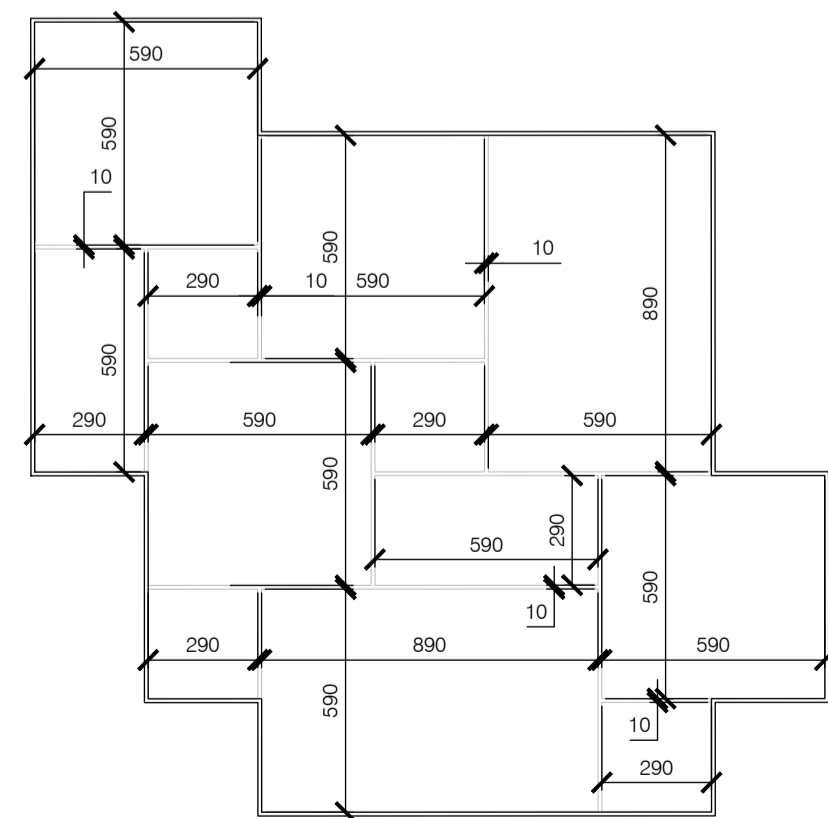


Rev	Date	Details	Drawn by	Checked by
A	07/09/2017	Amended as per Principal comments	PV	AH
B	25/08/2017	Amended as per S&T comments	PV	AH
C	12/10/2017	Amended levels	PV	AH



Palm Court Plan
Scale 1:50



Floor Pattern
Scale 1:20

Note:
Drawing to be read in conjunction with drawings:
(2)101 Proposed Palm Court floor plan
(2)102 Proposed Palm Court Sections
(43)02 Proposed floor finishes setting out II

S & T (Ltd)	
client name	Russell Hotel
project	London
title	Ground Floor - Palm Court Floor finishes setting out
date	22/08/2017
drawn	PV
checked	AH
scale	1:50@A1/1:100@A3
drawing number	(43)01
revision	C
job number	832-03

PRELIMINARY

This drawing is intended for use as a guide only. It is not to be used for construction or any other purpose without the written consent of the architect. The architect is not responsible for any errors or omissions in this drawing.

box architects
 1 City Square, Leeds, LS1 2ES
 2 Angel Square, London EC1V 1NY

T: 0113 2441133 e: info@boxarchitects.co.uk
 F: 020 345 7085 w: www.boxarchitects.co.uk

