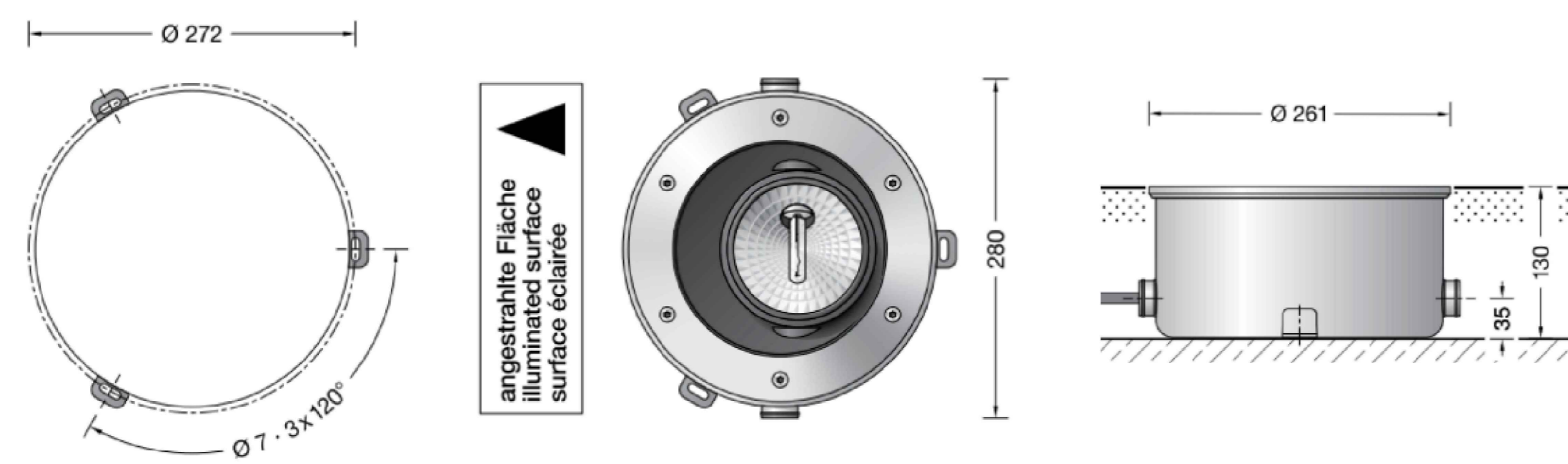
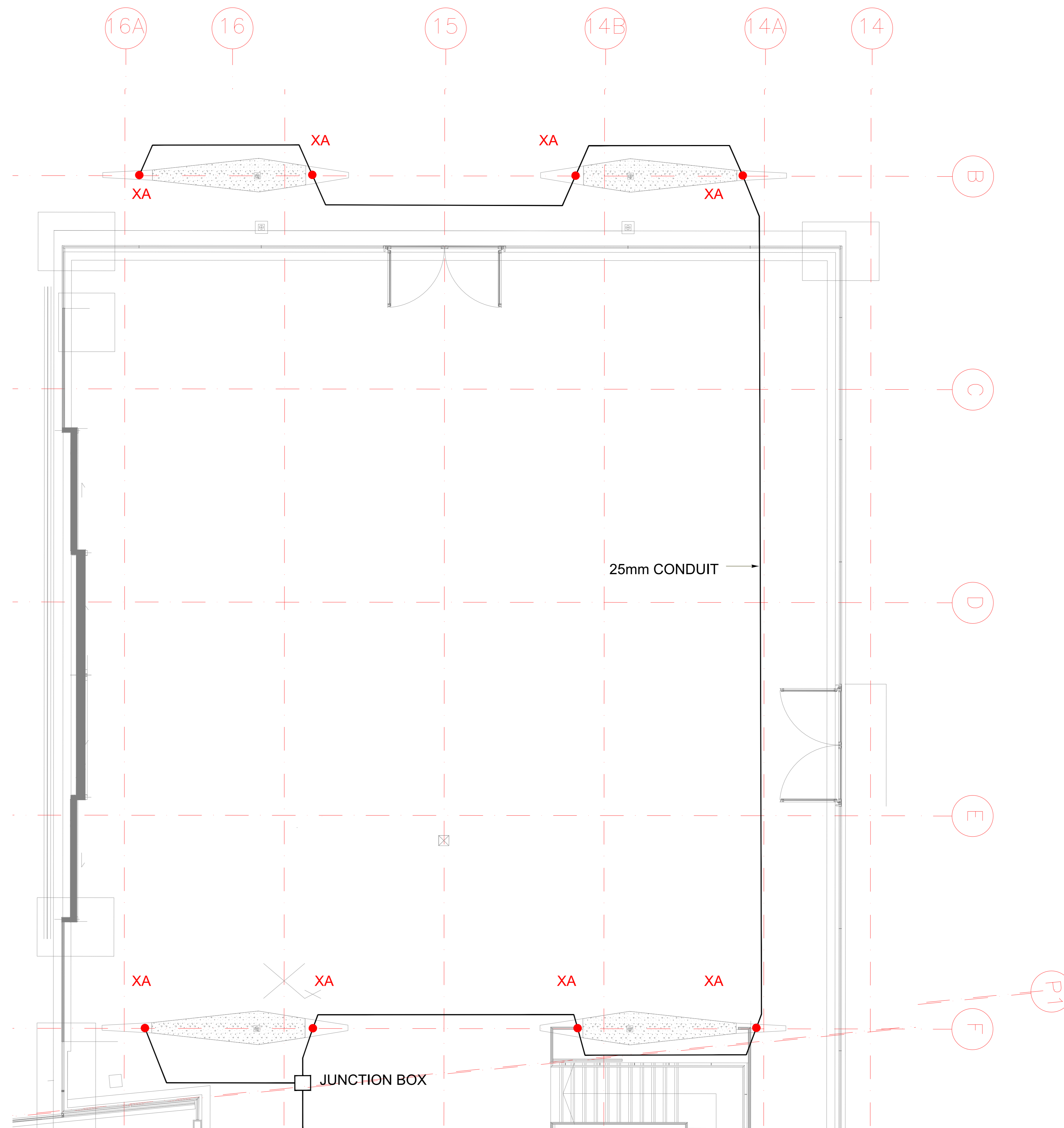


SECTION ON COLUMN



XA LIGHT DETAIL



- Notes**
- DO NOT SCALE.
  - THIS DRAWING TO BE READ IN CONJUNCTION WITH LATEST ARCHITECTURAL AND STRUCTURAL DRAWINGS.
  - ALL DIMENSIONS IN MILLIMETRES UNLESS STATED OTHERWISE.
  - ALL DATUM LEVELS IN METRES UNLESS NOTED OTHERWISE.
  - FOR STANDARD SYMBOLS AND NOTATION REFER TO BRG No. F301-00-58-500-2000.
  - FOR EQUIPMENT DETAILS REFER TO TECHNICAL SCHEDULES.
  - THIS DRAWING TO BE READ IN CONJUNCTION WITH RELEVANT DRAWINGS AND TECHNICAL SPECIFICATIONS.
  - REFER TO RELEVANT SERVICES SCHEMATIC FOR SIZES.
  - TO BE READ IN CONJUNCTION WITH SPECIALIST LIGHTING CONSULTANTS DRAWINGS & LUMINAIRE SCHEDULES.
  - REFER TO DISTRIBUTION BOARD SCHEDULES FOR CIRCUIT REFERENCES.

MARNS, 230V CIRCUIT	DALI CONTROL CIRCUIT LUMINAIRES SUPPLIED
DB/BI/EX2/7/L2	1.0.07 1.0.08
DB/BI/EX2/1/L3	1.0.04 1.0.09 1.0.10 1.0.06
DB/BI/EX2/1/L2	1.0.12
DB/BI/EX/8/L3	1.0.16 (QUARTER)
DB/BI/EX/7/L3	1.0.16 (QUARTER)
DB/BI/EX/8/L3	1.0.16 (QUARTER)
DB/BI/EX/9/L3	1.0.16 (QUARTER)
DB/BI/02/9/L2	1.0.18 1.0.19 1.0.15
DB/BI/02/16/L3	1.0.20
DB/BI/02/17/L2	50% 1.0.21
DB/BI/02/18/L2	50% 1.0.21

REFER TO SPECIALIST LIGHTING DESIGNERS INFORMATION FOR CONFIRMED LUMINAIRE REFERENCES, GROUPINGS AND QUANTITIES.

● XA

This Drawing is Based Upon The Following Information:

Rev	Description	Drawn	Checked	Date
AS	AS BUILT	CH	ER	17/10/17



Stewart House,  
Kenton Road, Harrow,  
Middlesex, HA3 9TU.  
Telephone: 020-8732 2000  
Facsimile: 020-8204 9453  
www.lornestewart.co.uk

**IBSECAD**

14 Hosiery Lane London, EC1A 9LD Telephone: +44 (0) 20 7618 1150 Email: london@ibsecad.net

Project Name: **CENTRE POINT**

Drawing Status: **AS BUILT**

Drawn By: CH Date: OCT 17 Scale: 1:50@A0

Centre Point House  
GROUND MEZZANINE FLOOR  
LANDLORD LIGHTING LAYOUT RETAIL 1

**AS BUILT**