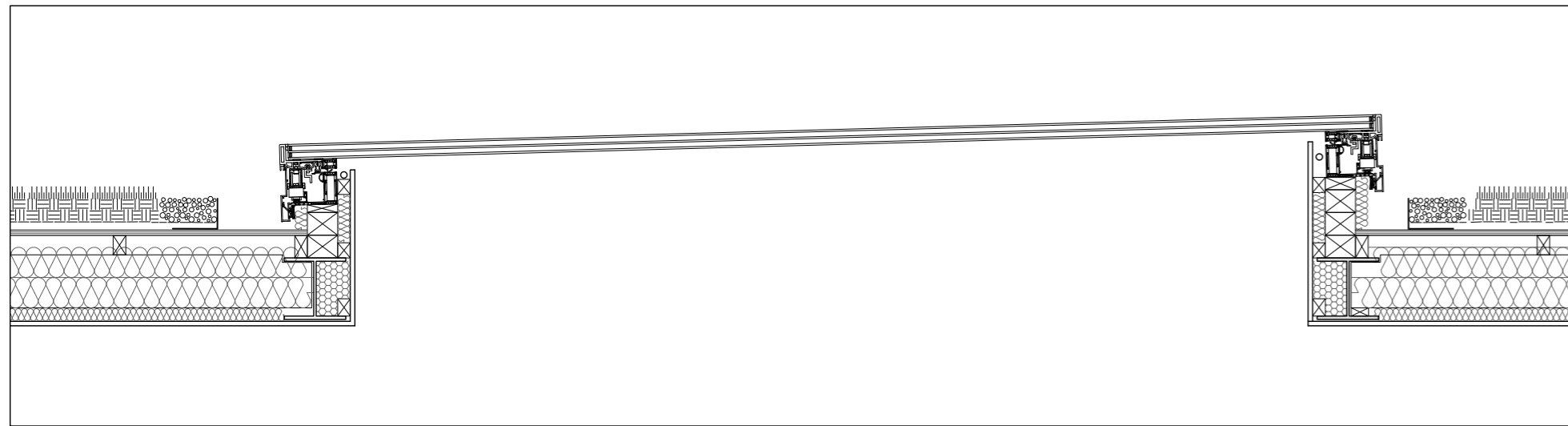
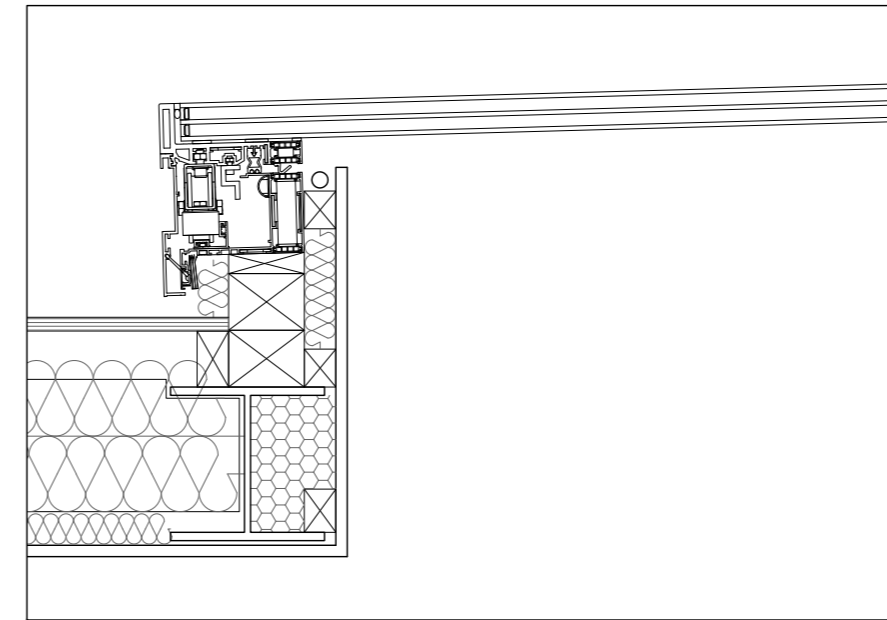


Notes:

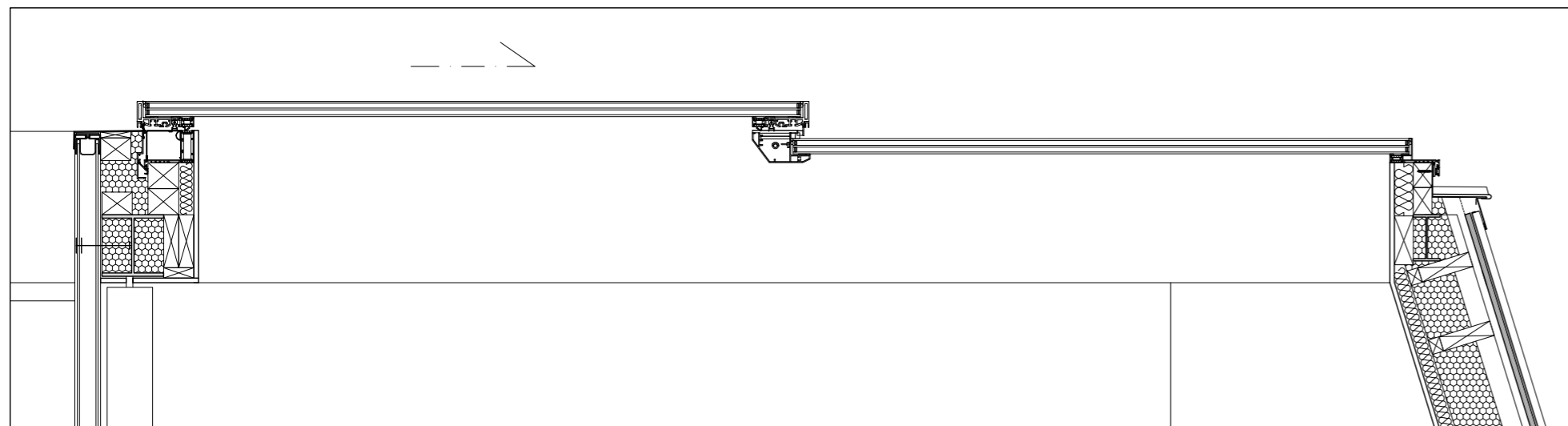
Sliding rooflight
Dark grey aluminum frame



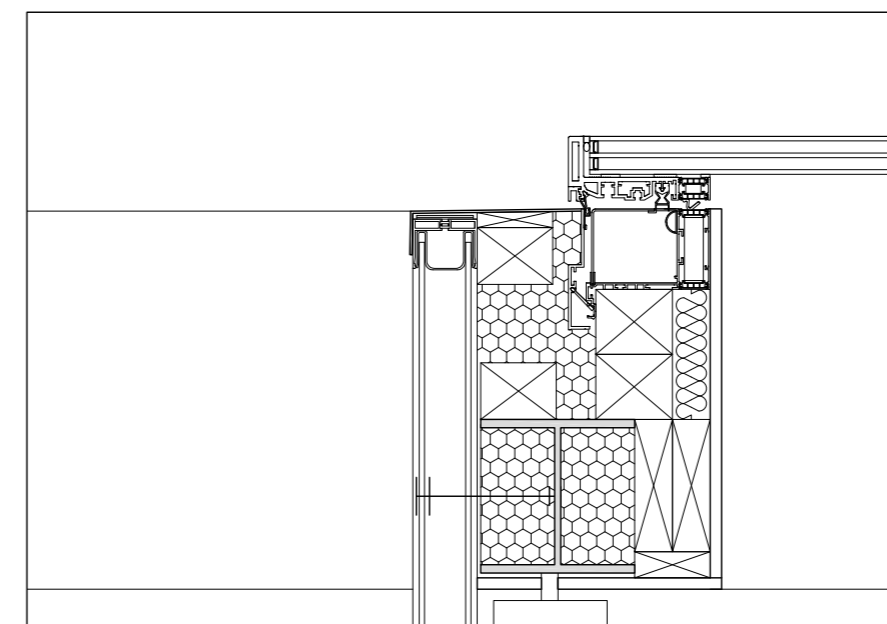
Section trough width 1:20



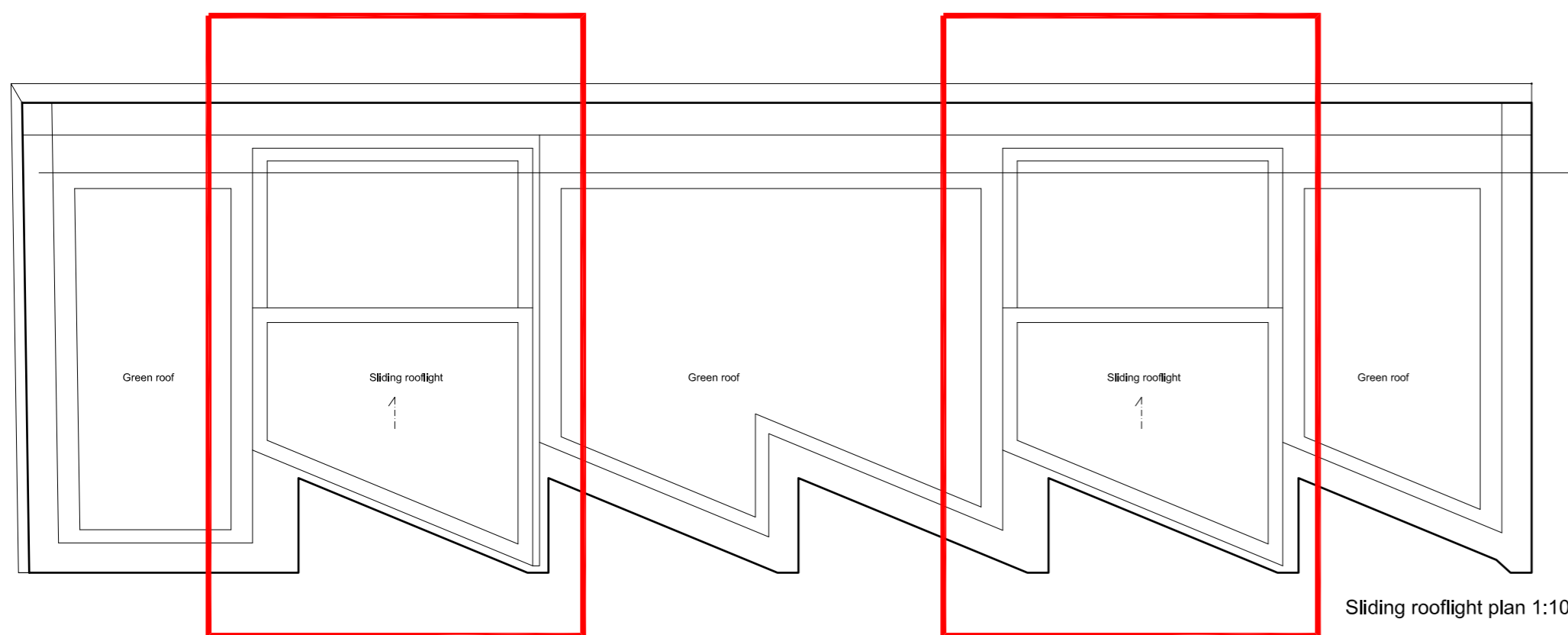
Detail 1:10



Section trough span 1:20



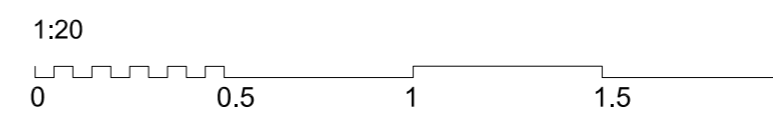
Detail 1:10



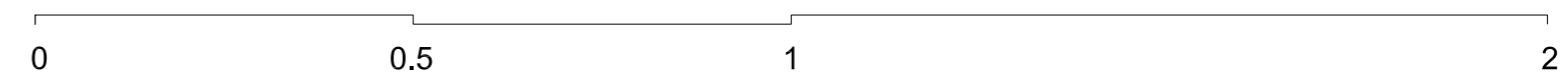
Sliding rooflight plan 1:10



Sliding rooflight & zinc roof



1:10 METRES



Martin Evans
Architects ©

18 Charlotte Road
London EC2A 3PB
tel 020 7729 2474

PROJECT
8A BELMONT STREET
NW1 8HH London

TITLE
SLIDING ROOFLIGHT

DATE 01.10.17

SCALE 1:10 @ A2

DRAWN BY AF

DRAWING NO. BEL-CON-CD-03