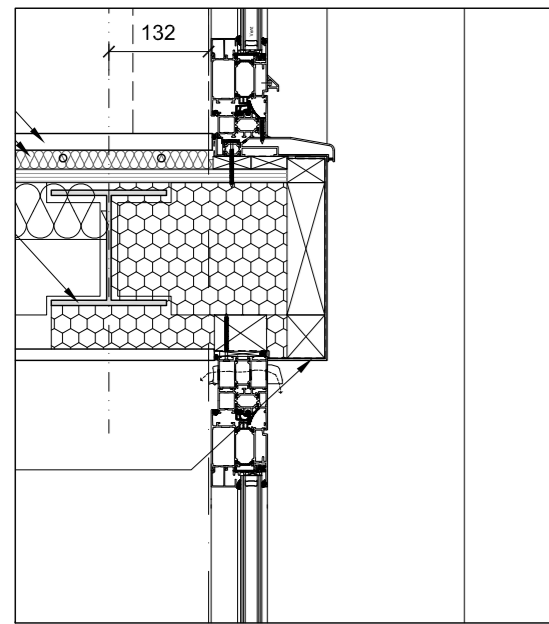


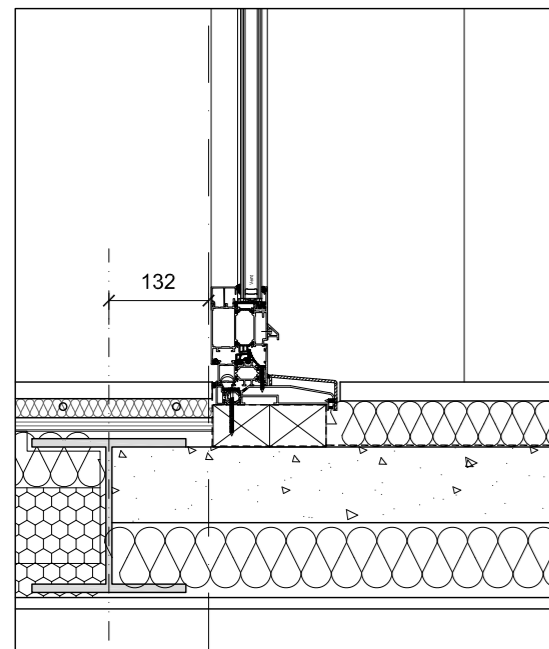
# CONDITION 3

Notes:

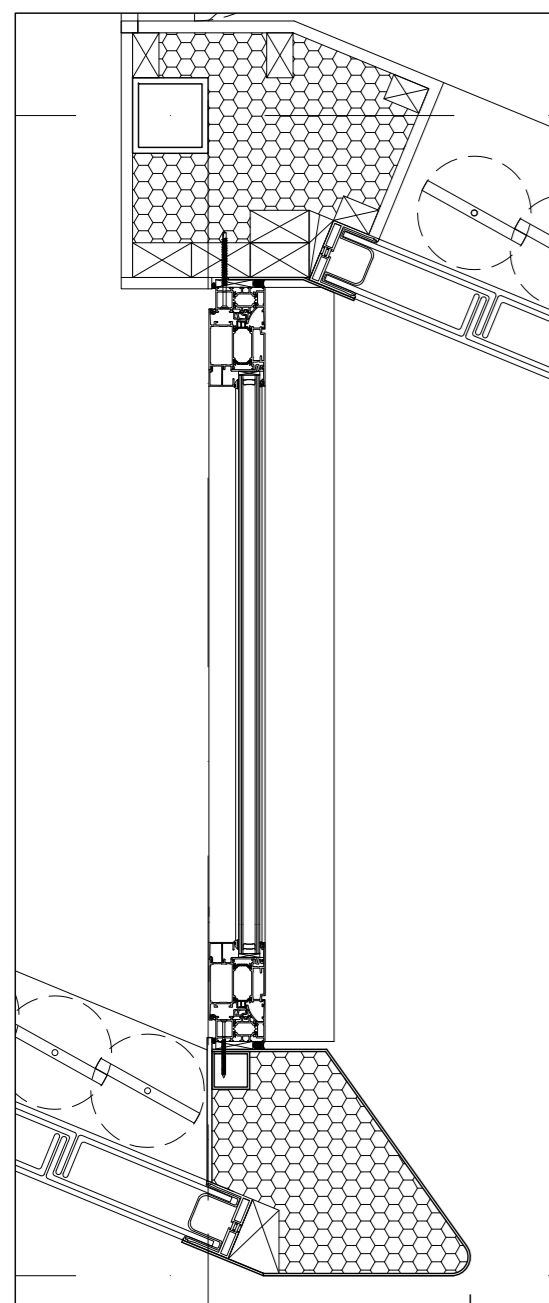
Grey aluminum tilt & turn window frame



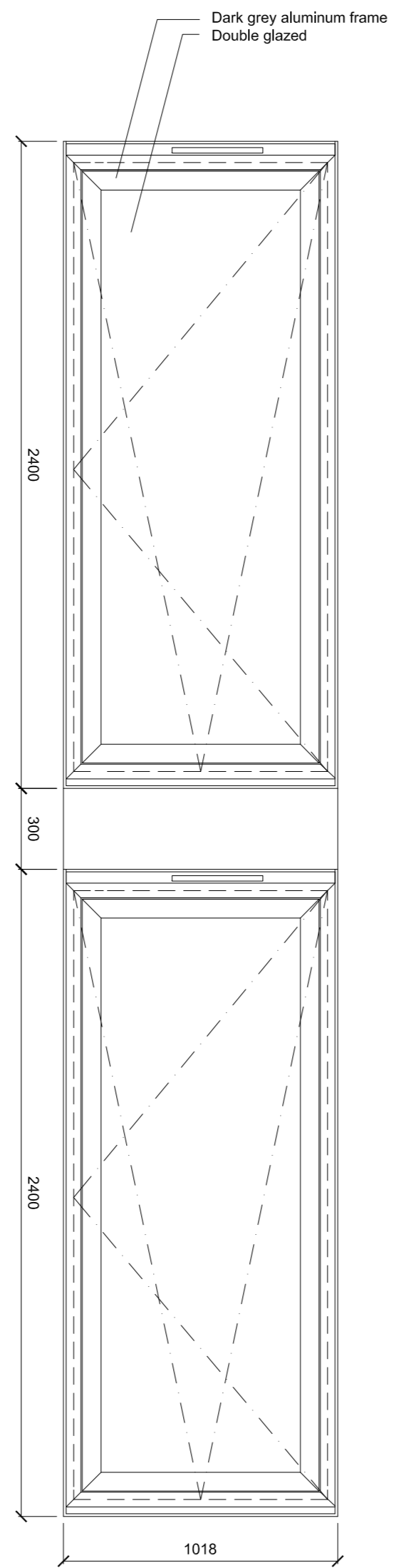
Window head detail 1:10



Window sill detail 1:10



Window jambs detail 1:10



Window elevation 1:10



View from the outside



Example

### Martin Evans Architects ©

18 Charlotte Road  
London EC2A 3PB  
tel 020 7729 2474

**PROJECT**  
8A BELMONT STREET  
NW1 8HH London

**TITLE**  
TILT & TURN WINDOW

|                 |           |
|-----------------|-----------|
| <b>DATE</b>     | 01.10.17  |
| <b>SCALE</b>    | 1:10 @ A1 |
| <b>DRAWN BY</b> | AF        |

**DRAWING NO.** BEL-CON-CD-01