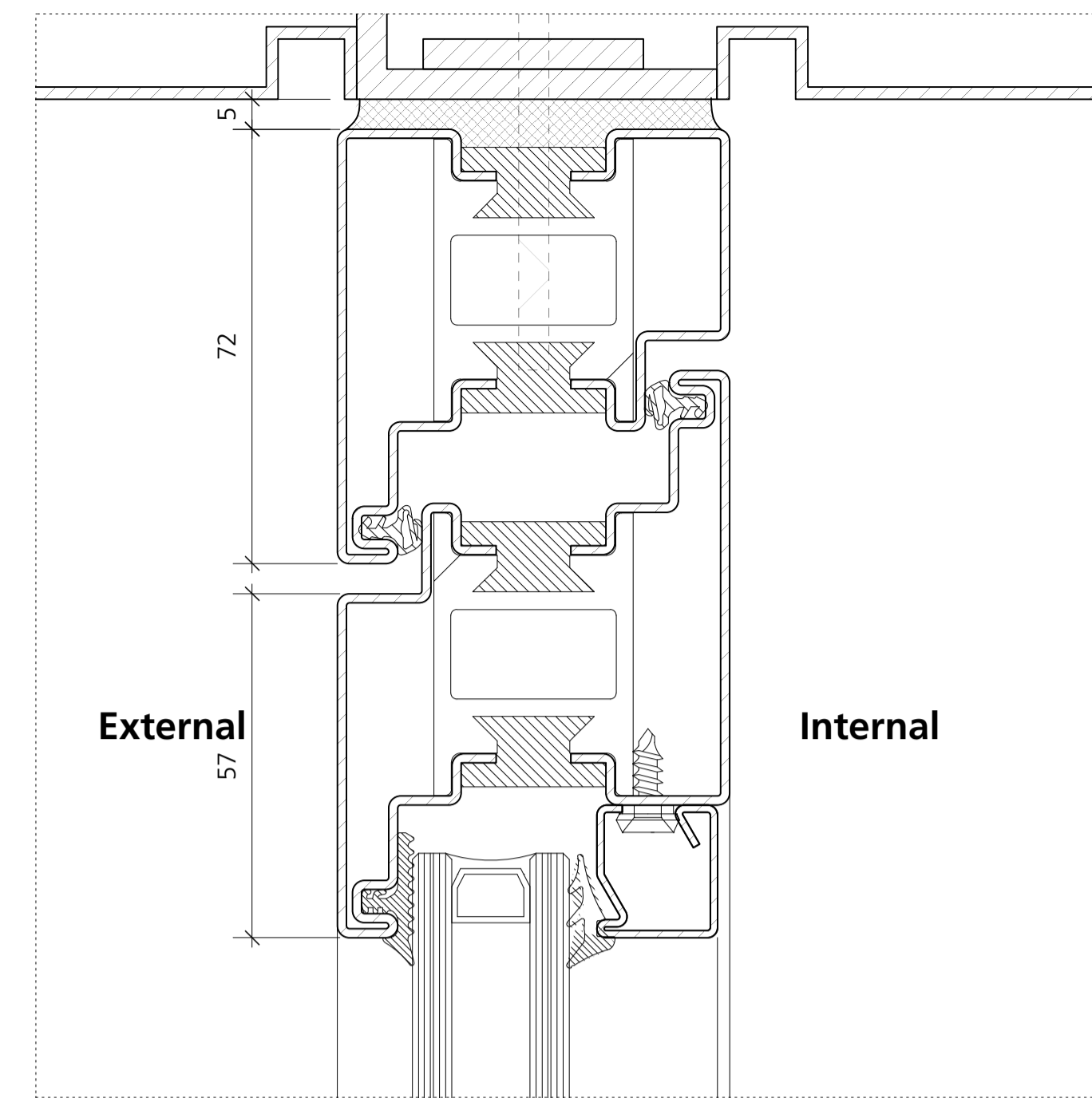
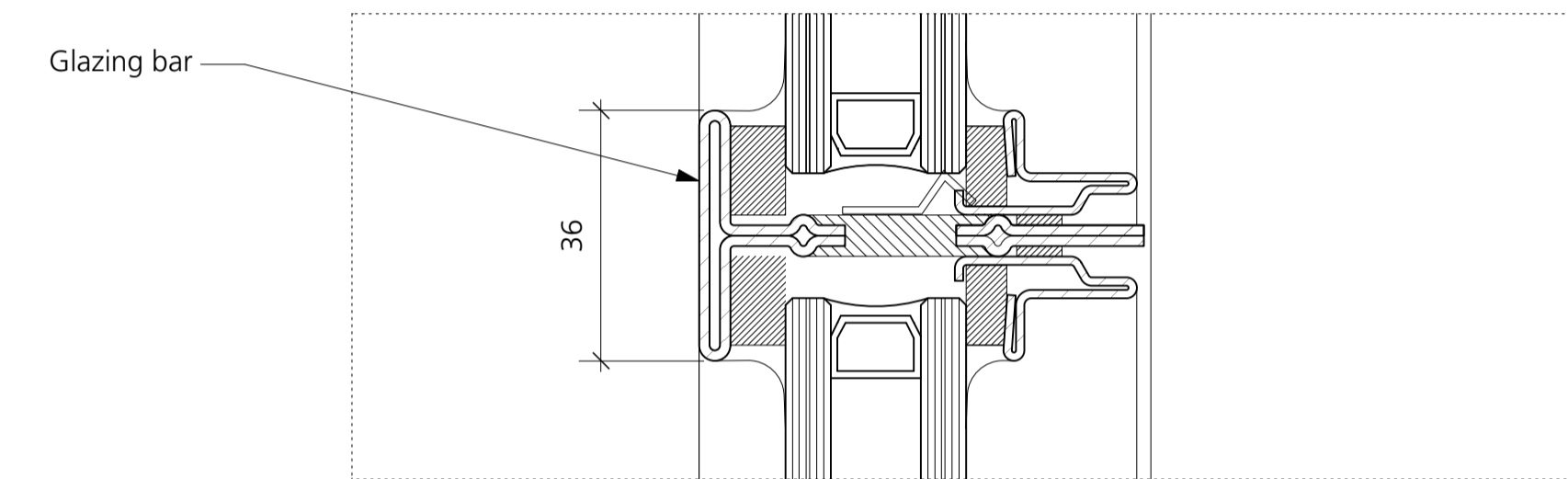


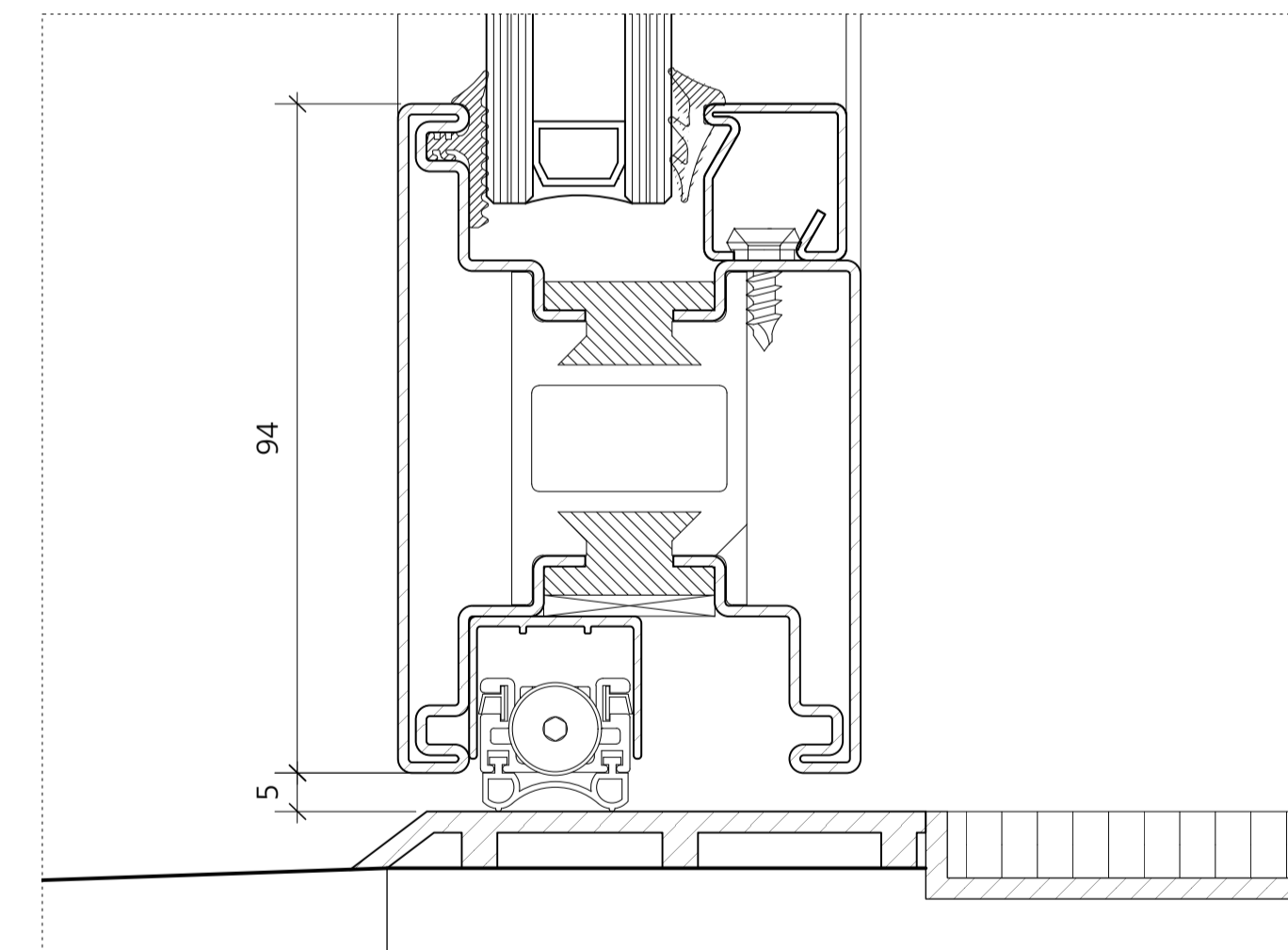
1 GF - Main External Door 01 - Elevation
1:50@A3



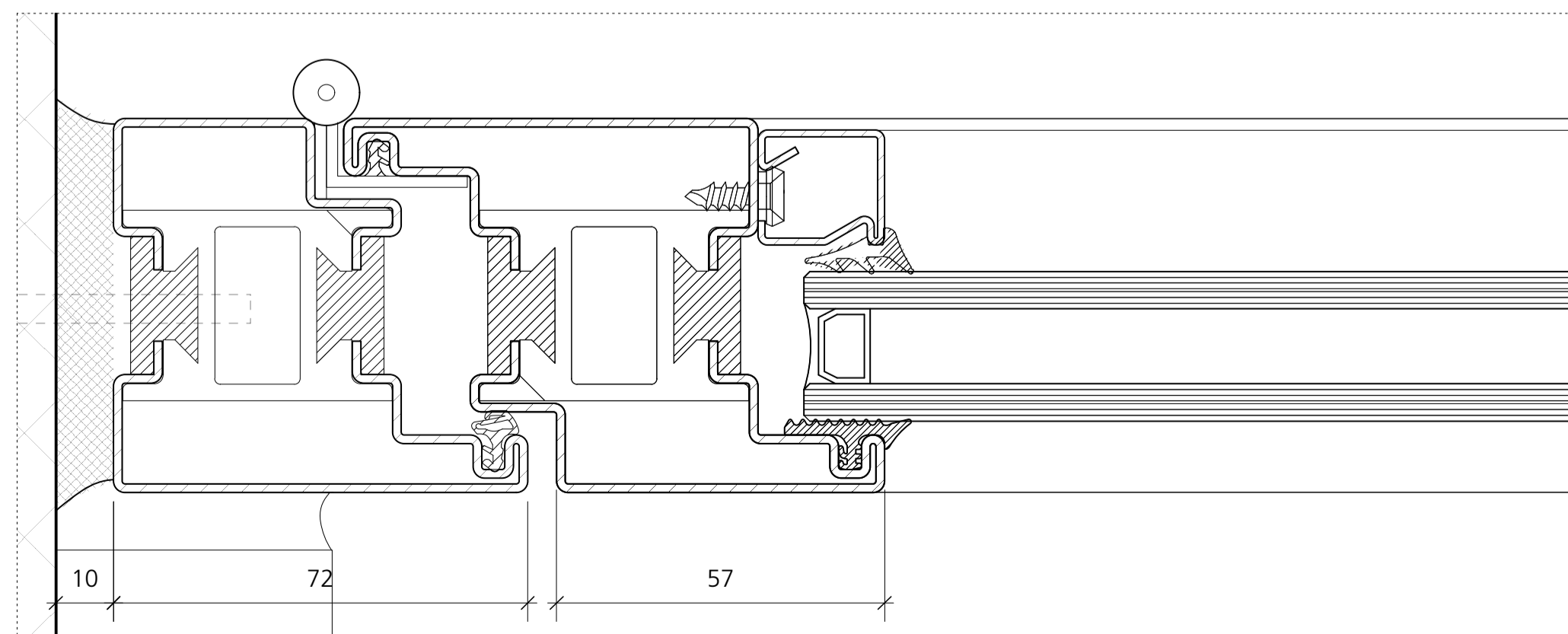
5 Door - Vertical Detail
1:2@A3



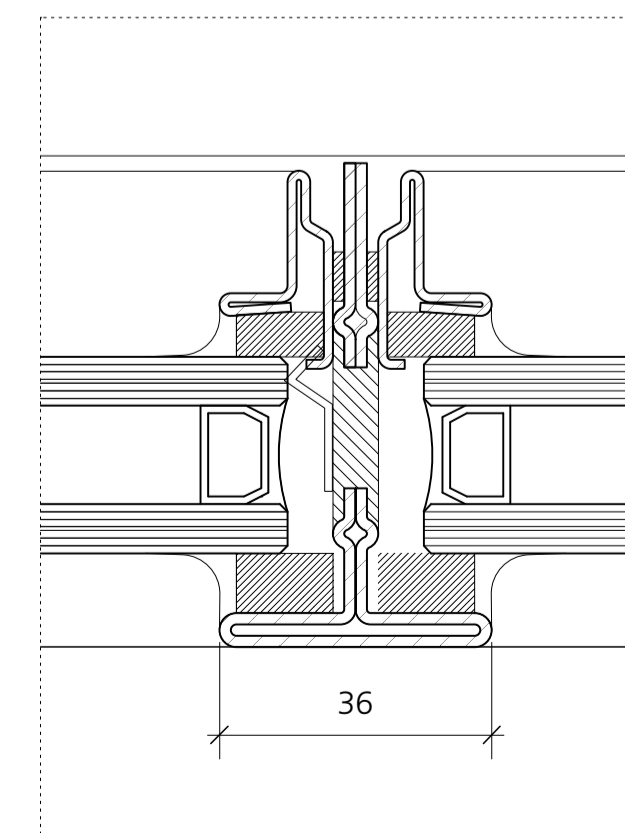
6 Door - Vertical Detail
1:2@A3



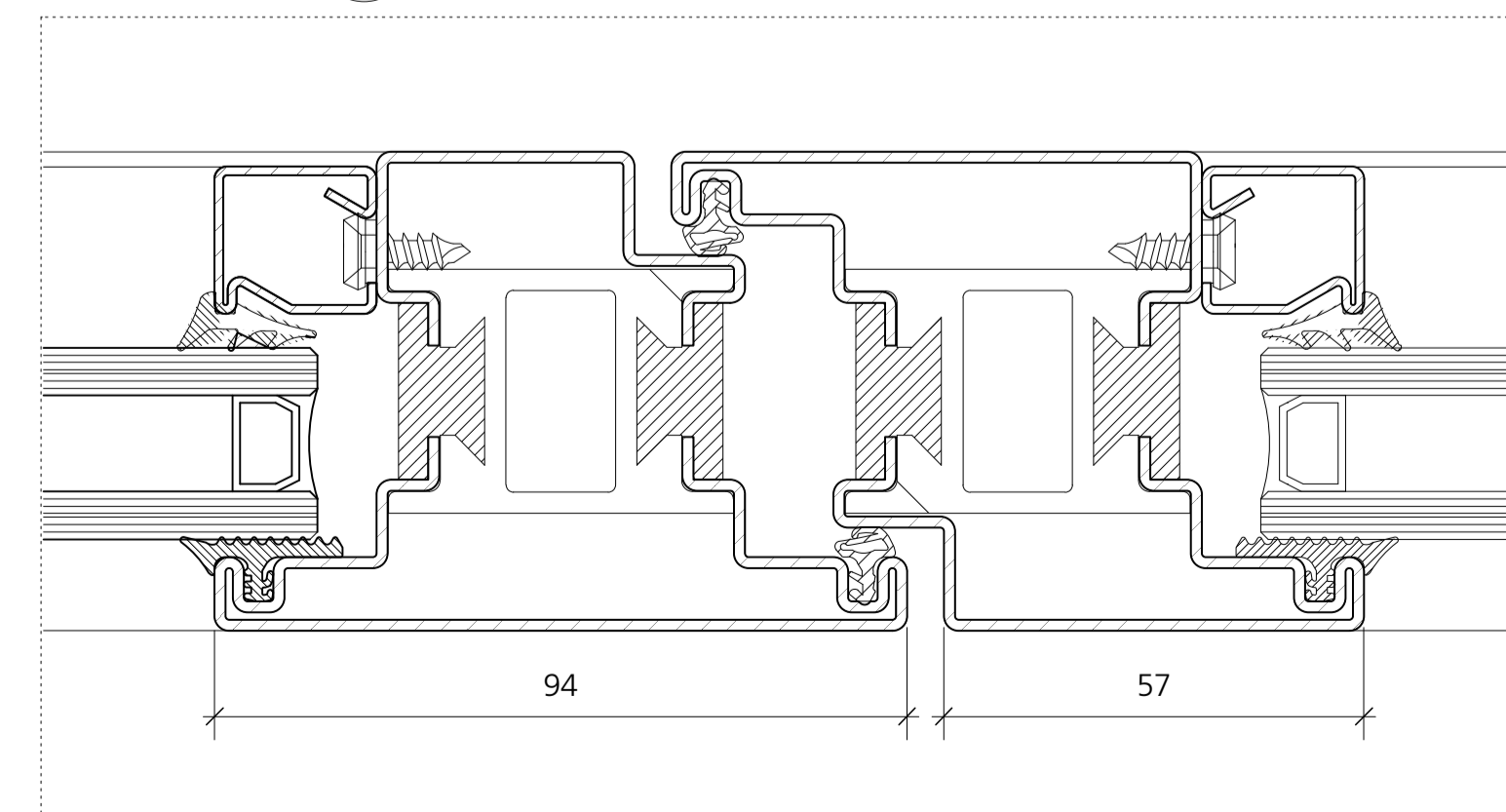
7 Door - Vertical Detail
1:2@A3



2 Door - Horizontal Detail
1:2@A3



3 Door - Horizontal Detail
1:2@A3



4 Door - Horizontal Detail
1:2@A3

GENERAL NOTES.

All dimensions to be checked on site prior to commencement of any works, and/or preparation of any shop drawings.

Sizes of and dimensions to any structural elements are indicative only. See structural engineers drawings for actual sizes / dimensions.

Sizes of and dimensions to any service elements are indicative only. See service engineers drawings for actual sizes and dimensions.

This drawing to be read in conjunction with all other Architect's drawings, specifications and other Consultants' information.

All proprietary systems shown on this drawing are to be installed strictly in accordance with the Manufacturers/Suppliers recommended details.

Any discrepancies between information shown on this drawing and any other contract information or manufacturers/suppliers recommendations is to be brought to the attention of the Architect

DO NOT SCALE FROM THIS DRAWING.

NOTES.

Issued for planning		09/11/17
REVISION	DATE	
Buckley Gray Yeoman		
Studio 4.04 The Tea Building 56 Shoreditch High Street London E1 6JJ T: 020 7033 9913 F: 020 7033 9914		
CLIENT	AFT Properties	
PROJECT	44 Eagle Street	
DRAWING	South Elevation GF External Door - Detail 01	
SCALE	1:1 @ A1 (1:2 @ A3)	
DATE	NOV. 2017	DRAWN BY SSH
DWG No.	1015_ED_130	REVISION P1
DRAWING STATUS	PLANNIING	

Information contained on this drawing is the sole copyright of Buckley Gray Yeoman and is not to be reproduced without their permission.