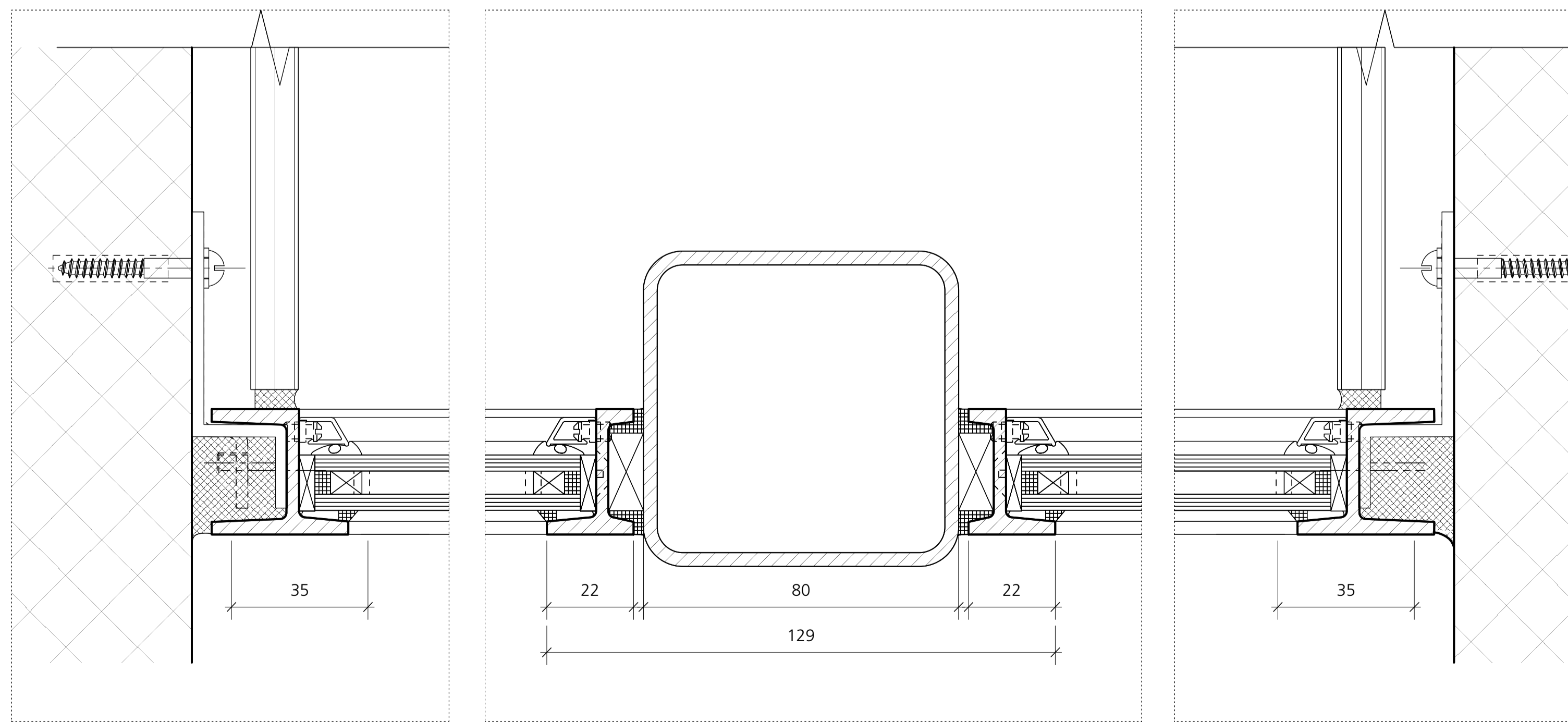


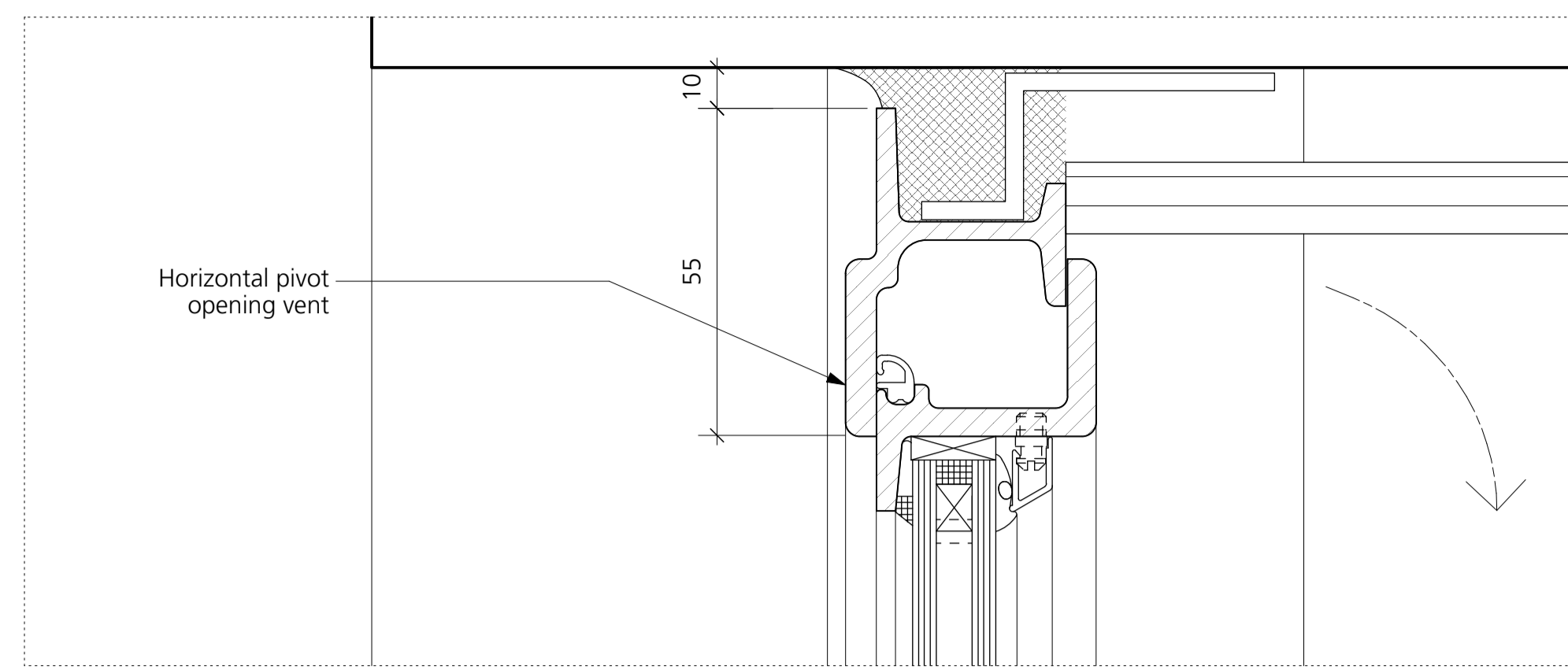
1 Window 01 - Elevation
1:50@A3



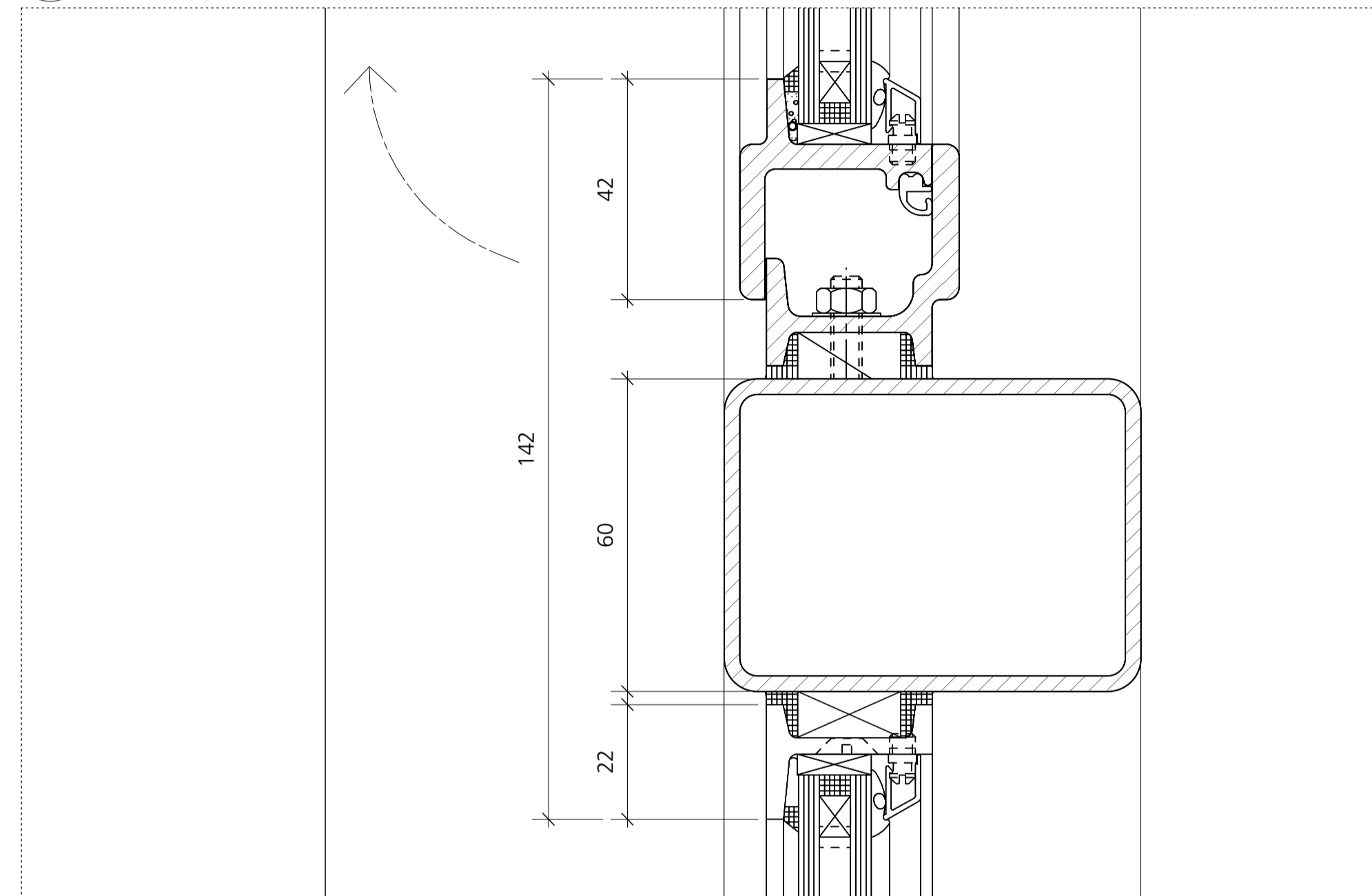
2 Window - Horizontal Detail
1:2@A3

3 Window - Horizontal Detail
1:2@A3

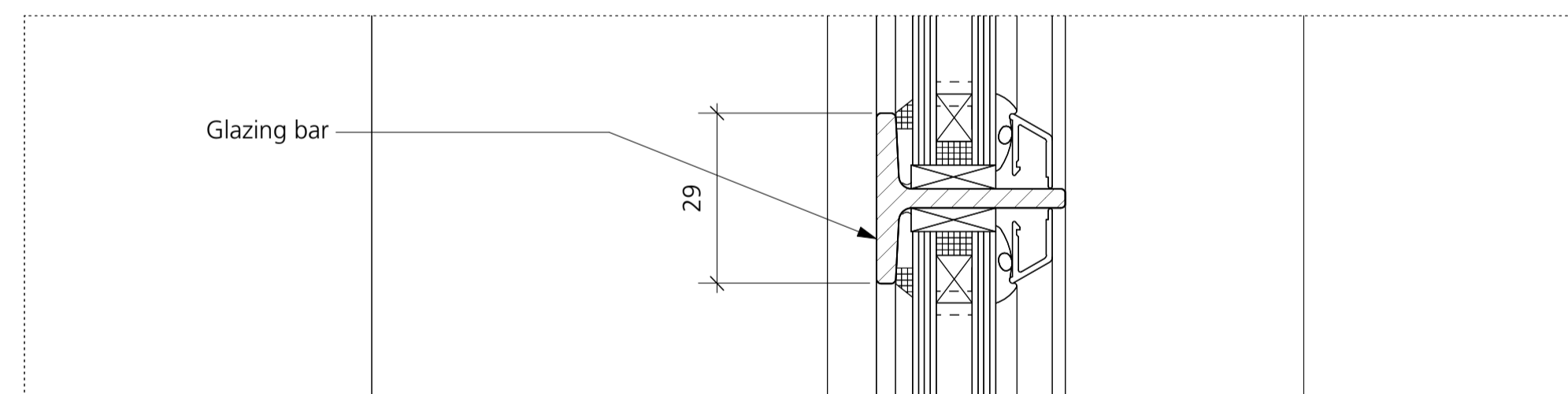
4 Window - Horizontal Detail
1:2@A3



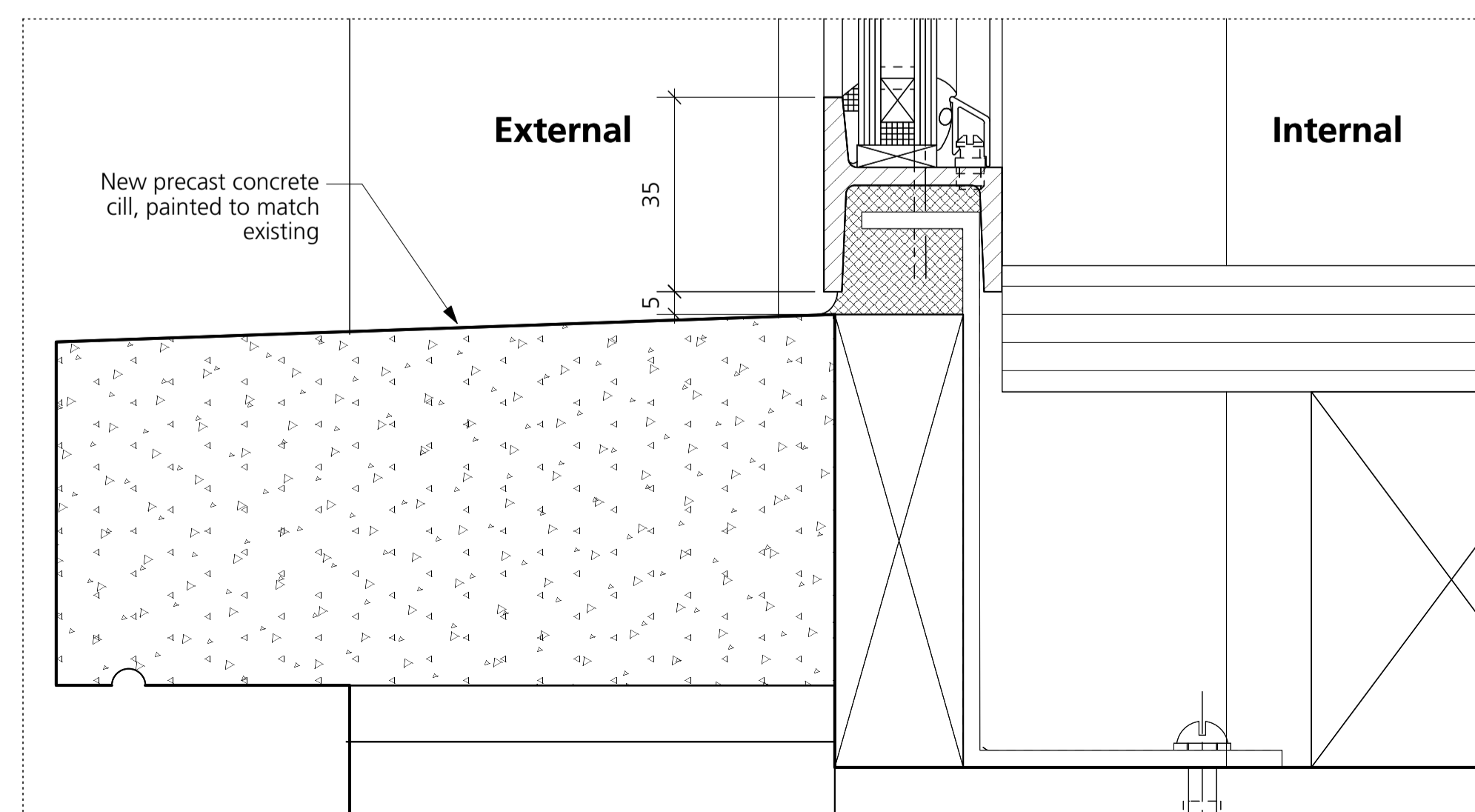
5 Window - Vertical Detail
1:2@A3



6 Window - Vertical Detail
1:2@A3



7 Window - Vertical Detail
1:2@A3



8 Window - Vertical Detail
1:2@A3

GENERAL NOTES.

All dimensions to be checked on site prior to commencement of any works, and/or preparation of any shop drawings.

Sizes of and dimensions to any structural elements are indicative only. See structural engineers drawings for actual sizes / dimensions.

Sizes of and dimensions to any service elements are indicative only. See service engineers drawings for actual sizes and dimensions.

This drawing to be read in conjunction with all other Architect's drawings, specifications and other Consultants' information.

All proprietary systems shown on this drawing are to be installed strictly in accordance with the Manufacturers/Suppliers recommended details.

Any discrepancies between information shown on this drawing and any other contract information or manufacturers/suppliers recommendations is to be brought to the attention of the Architect

DO NOT SCALE FROM THIS DRAWING.

NOTES.

Issued for planning 09/11/17

REVISION DATE

Buckley Gray Yeoman
Studio 4.04 The Tea Building 56 Shoreditch High Street
London E1 6JJ T: 020 7033 9913 F: 020 7033 9914

CLIENT **AFT Properties**

PROJECT **44 Eagle Street**

DRAWING **South Elevation
Window Bay 02 - Detail**

SCALE **1:1 @ A1 (1:2 @ A3)**

DATE **NOV. 2017** DRAWN BY **SSH**

DWG No. **1015_ED_121** REVISION **P1**

DRAWING STATUS **PLANNING**

Information contained on this drawing is the sole copyright of Buckley Gray Yeoman and is not to be reproduced without their permission.