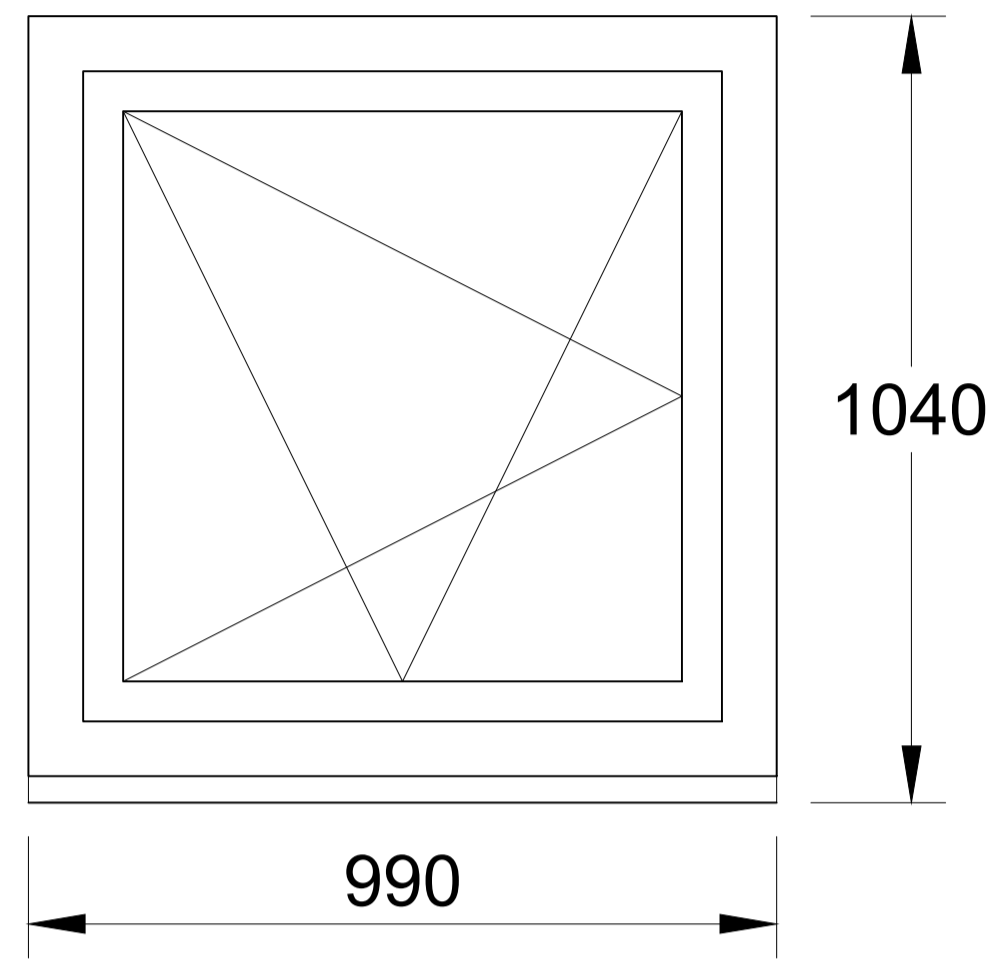
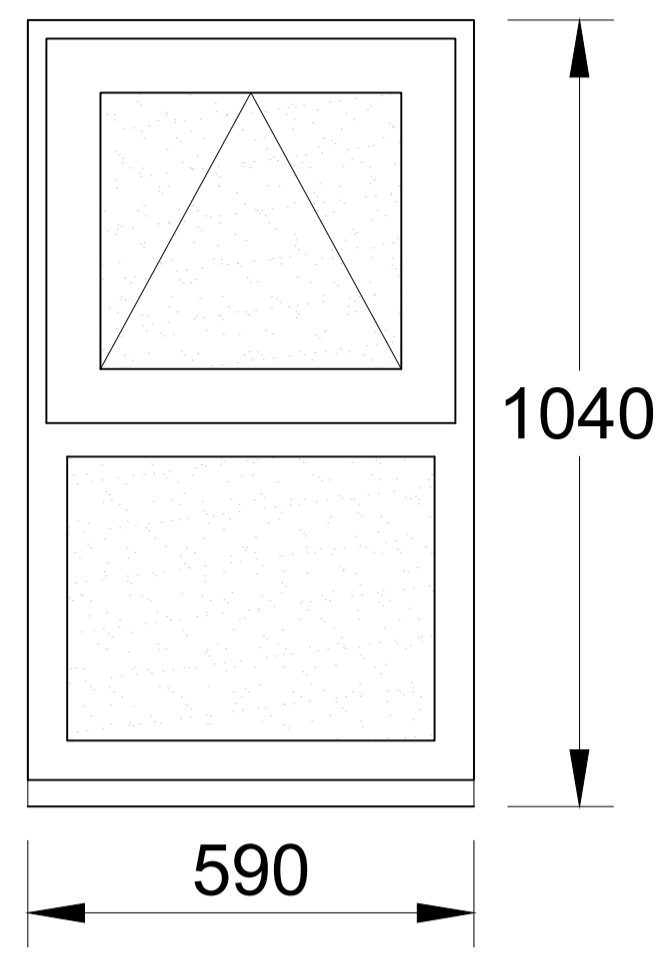


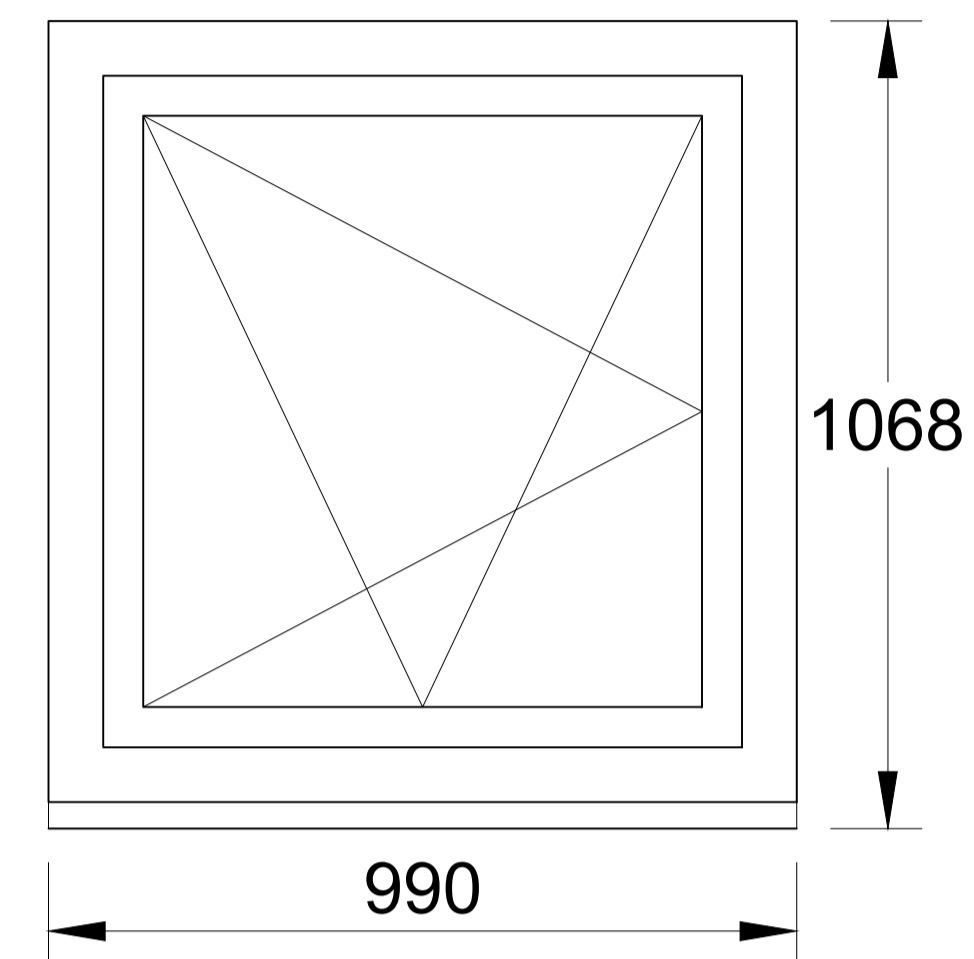
**WINDOW 1**  
L2, Scale 1:10



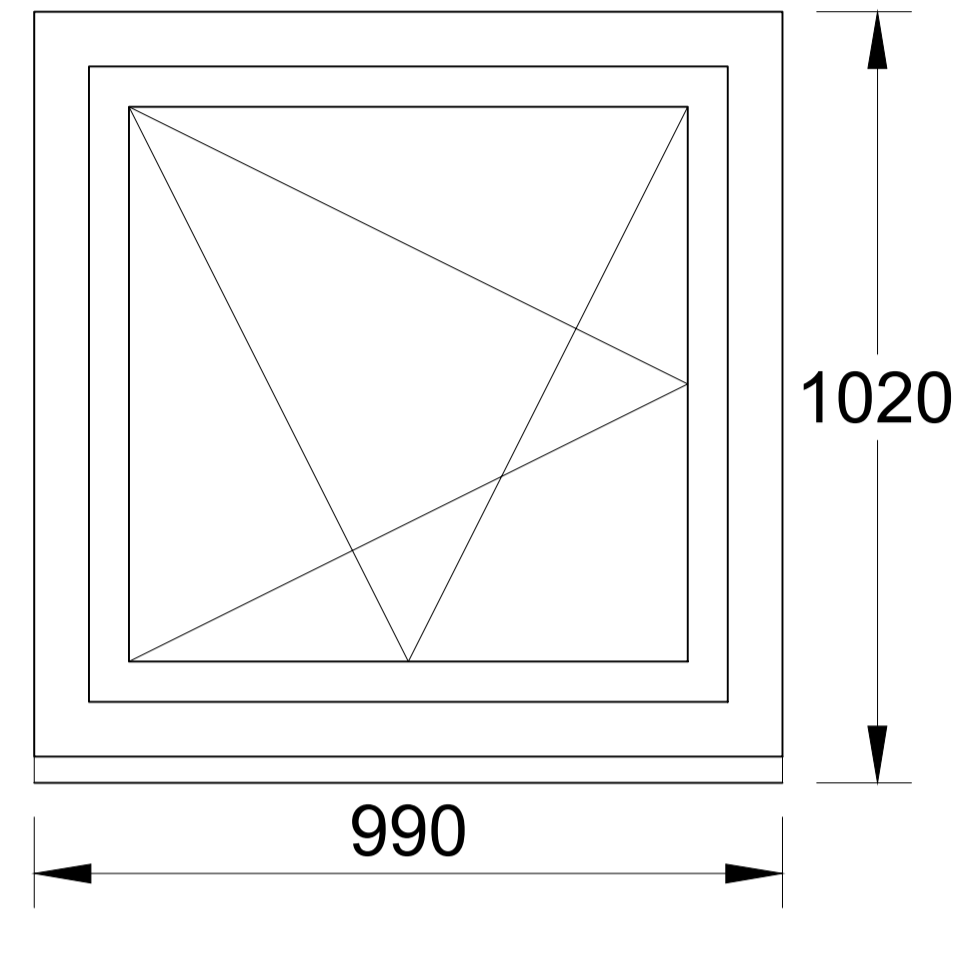
**WINDOW 2**  
R208, Scale 1:10  
Obscure Glazing



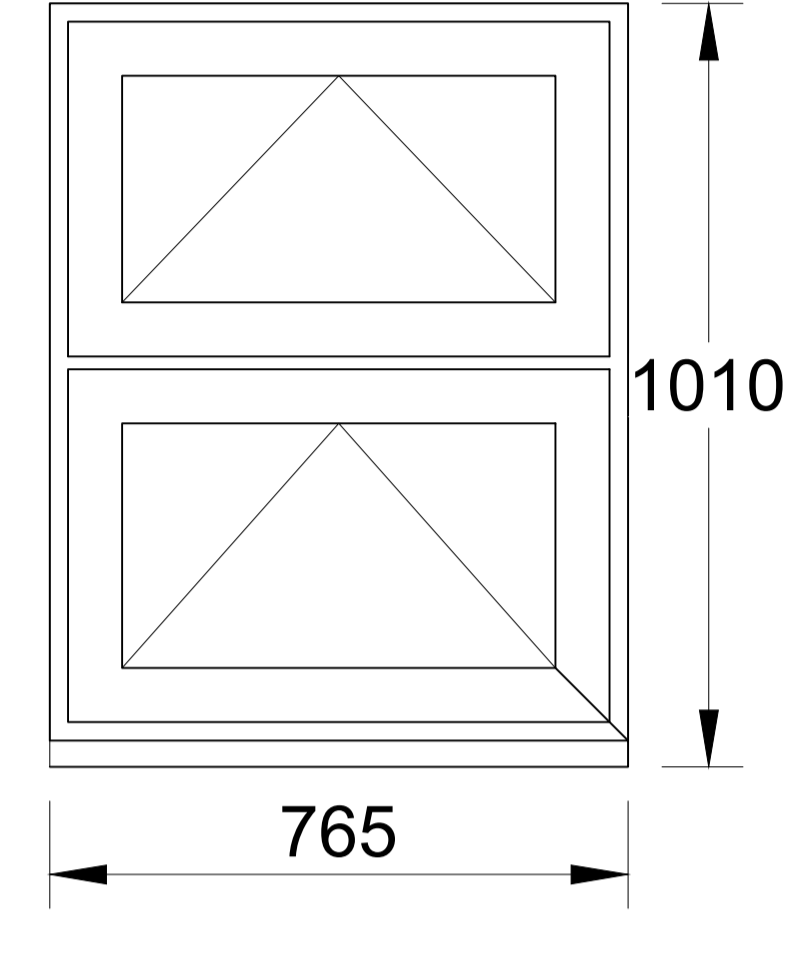
**WINDOW 3**  
L2, Scale 1:10



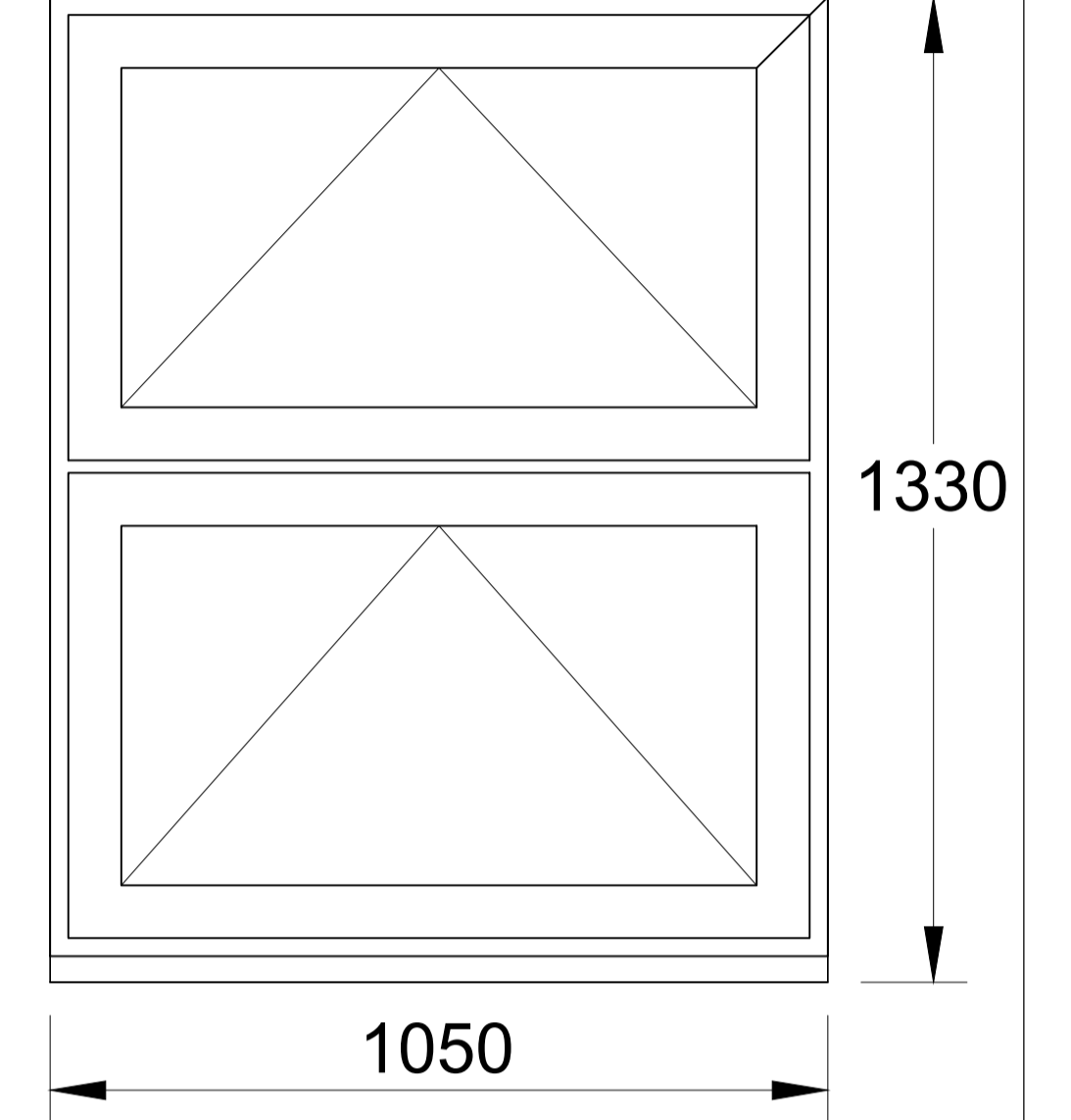
**WINDOW 4**  
L1, Scale 1:10



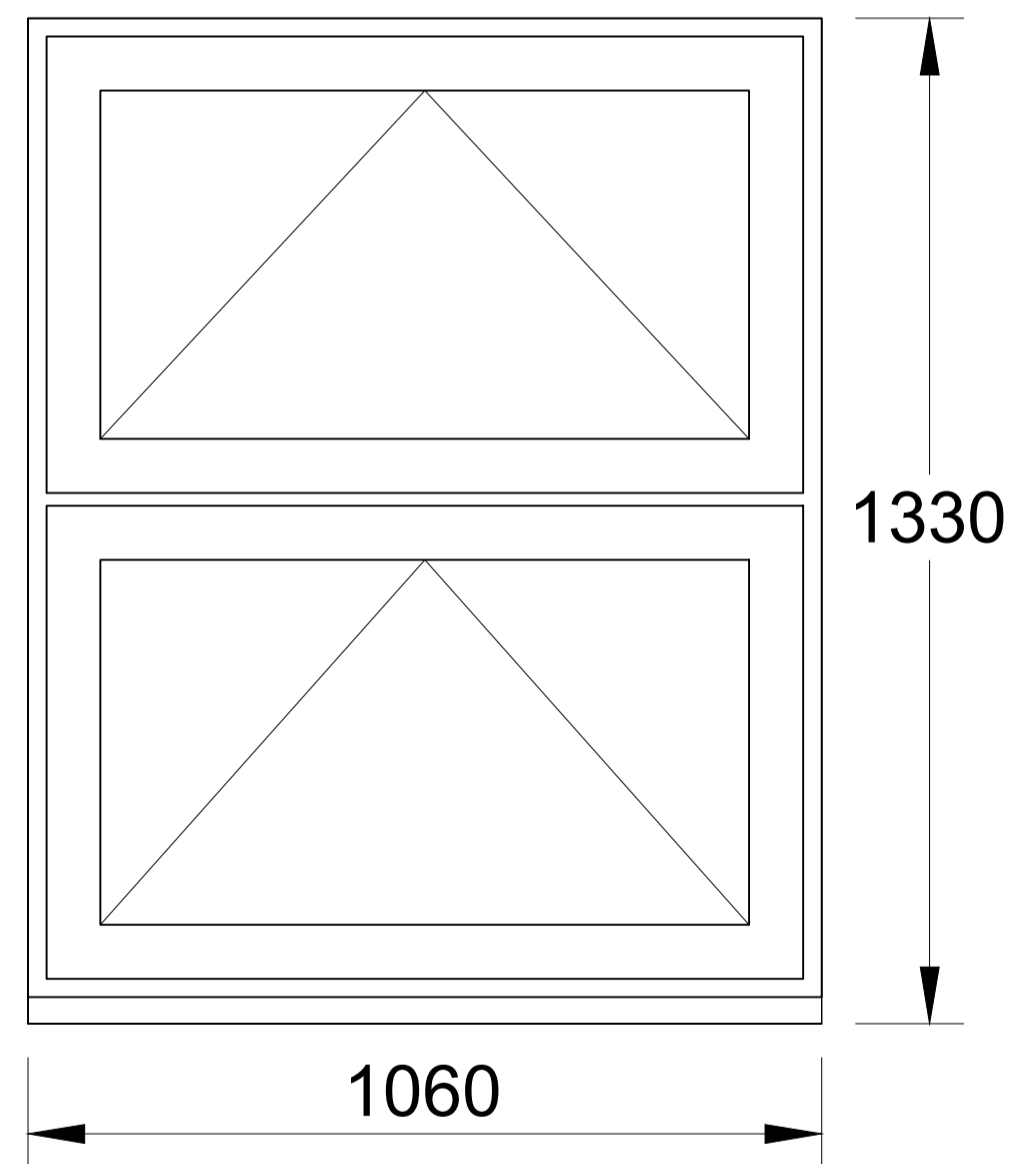
**WINDOW 5, 6**  
R10, Scale 1:10



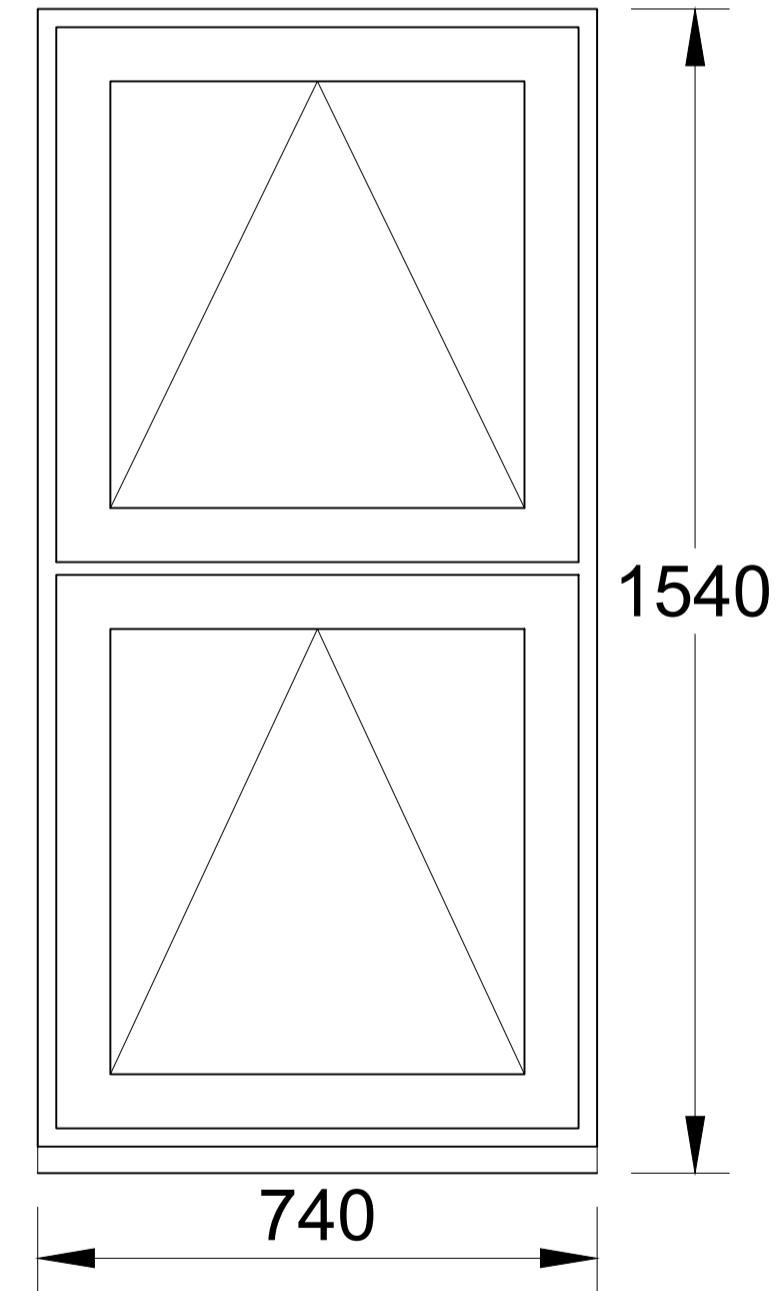
**WINDOW 7**  
R10, Scale 1:10



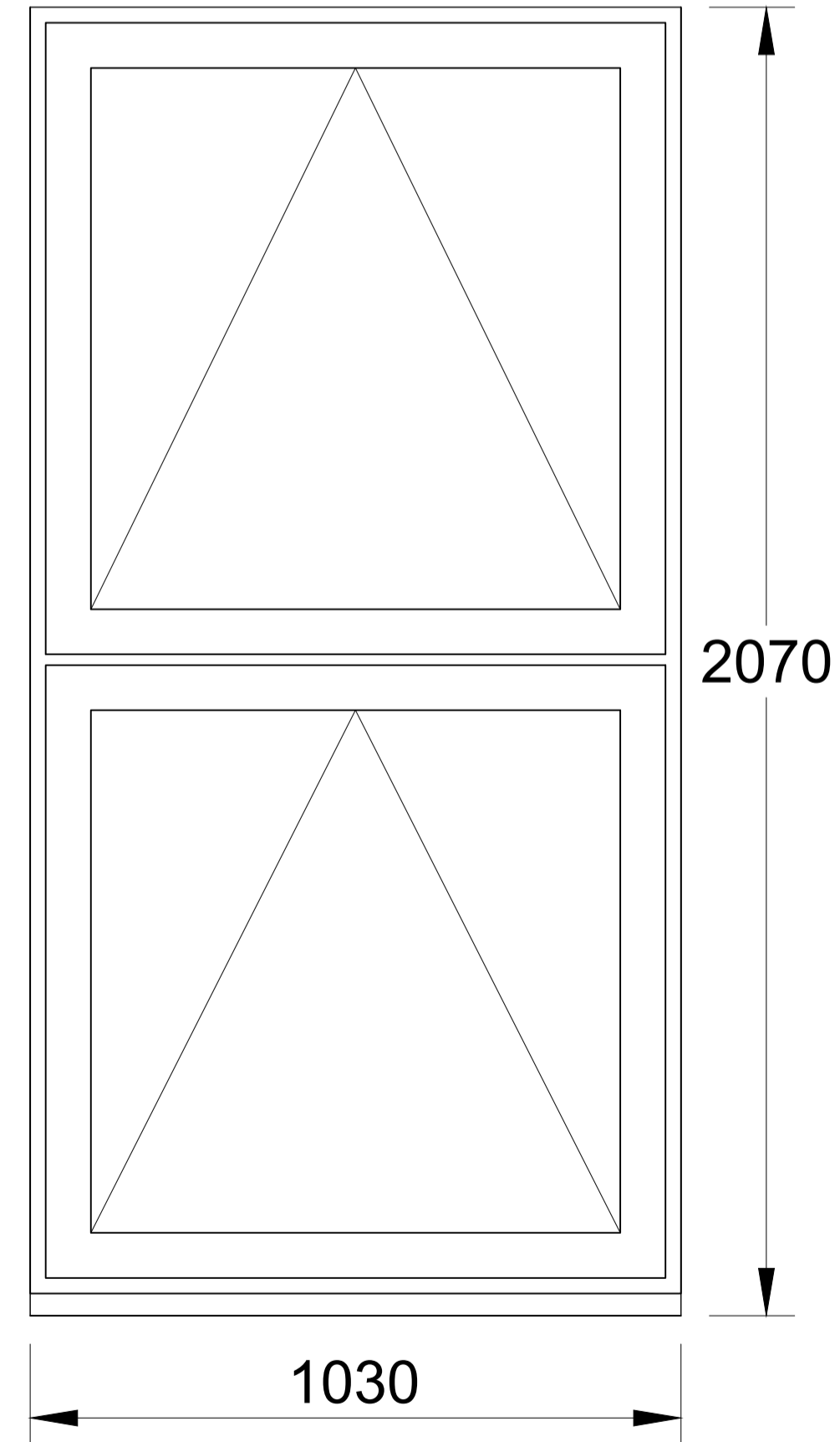
**WINDOW 8**  
R10, Scale 1:10



**WINDOW 9,10**  
R10, Scale 1:10



**WINDOW 11, 12**  
R10, Scale 1:10



- All dimensions in millimetres (mm) and levels in metres (m) unless noted otherwise.
- This drawing to be read in conjunction with all other relevant drawings and specification.
- All work to comply with the relevant British Standards, Codes of Practice and the Building Regulations.

Revisions:

Customer: **Mr Ghanshyam Patel**  
Flat  
79 Tottenham Court Road  
London  
W1T 4TB

Drawing Title:  
**Details**

Drawing No: <b>3052/PP/04</b>	Contract No: <b>EF3052AV</b>
Scale: <b>As Shown</b>	Starting Date: <b>25 Oct 2017</b>
Drawn: <b>V.USEVICIUTE</b>	Size: <b>A1</b>
	Ref No: .

© Crown copyright. All rights reserved.  
License numbers 010031673 and 100042205

