

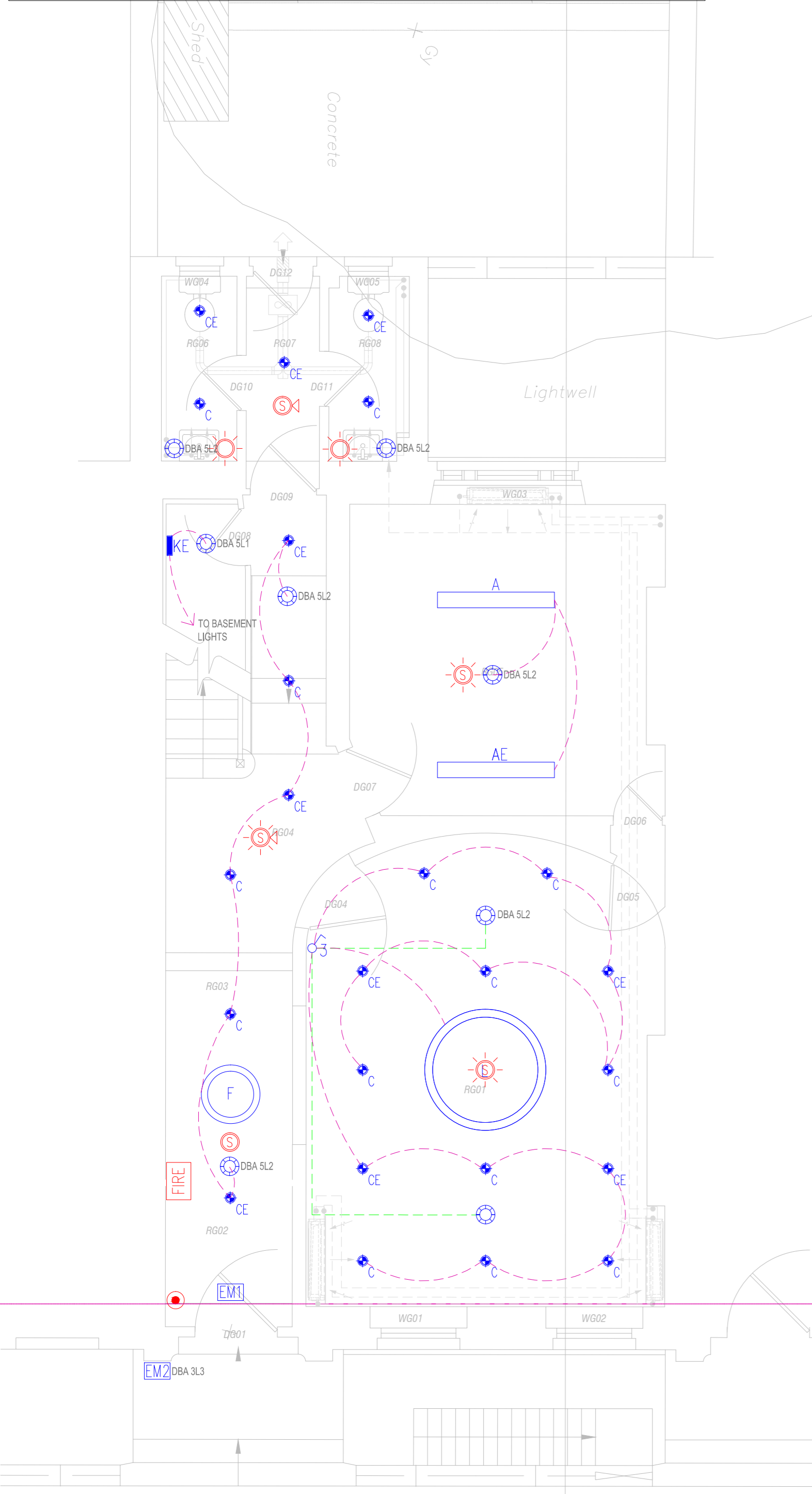
**RESIDUAL RISKS**

1. THERE ARE NO FORESEEN SIGNIFICANT RISKS.

# WARNING

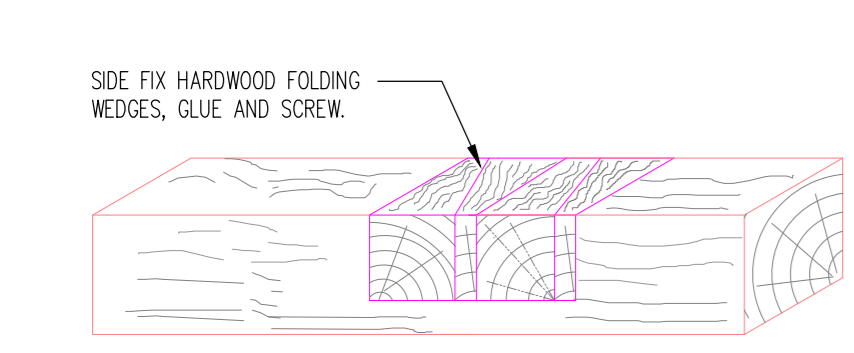
INFORMATION ON THIS DRAWING IS PRODUCED USING COLOURS IF DRAWING IS NOT PRINTED IN COLOUR VITAL INFORMATION MAY BE OBSCURED OR MISSING

**LIGHTING CONTROL STRATEGY FOR OFFICES WITH FEATURE LED CIRCULAR PENDANT:**  
 3 GANG MANUAL SWITCH.  
 GANG 1 - IN SERIES WITH MAINS PIR TO OPERATE SPOT LIGHTS GROUP 1 ON ABSENCE DETECTION  
 GANG 2 - IN SERIES WITH MAINS PIR TO OPERATE SPOT LIGHTS GROUP 1 ON ABSENCE DETECTION  
 GANG 3 - MOMENTARY DIMMABLE SWITCH TO OPERATE THE FEATURE PENDANT

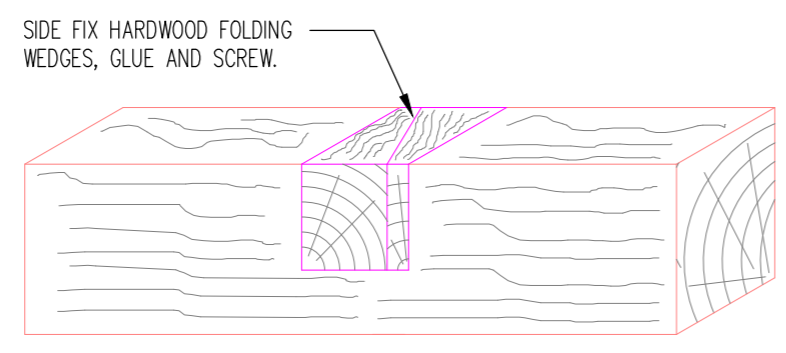


LIGHTING & FIRE ALARM

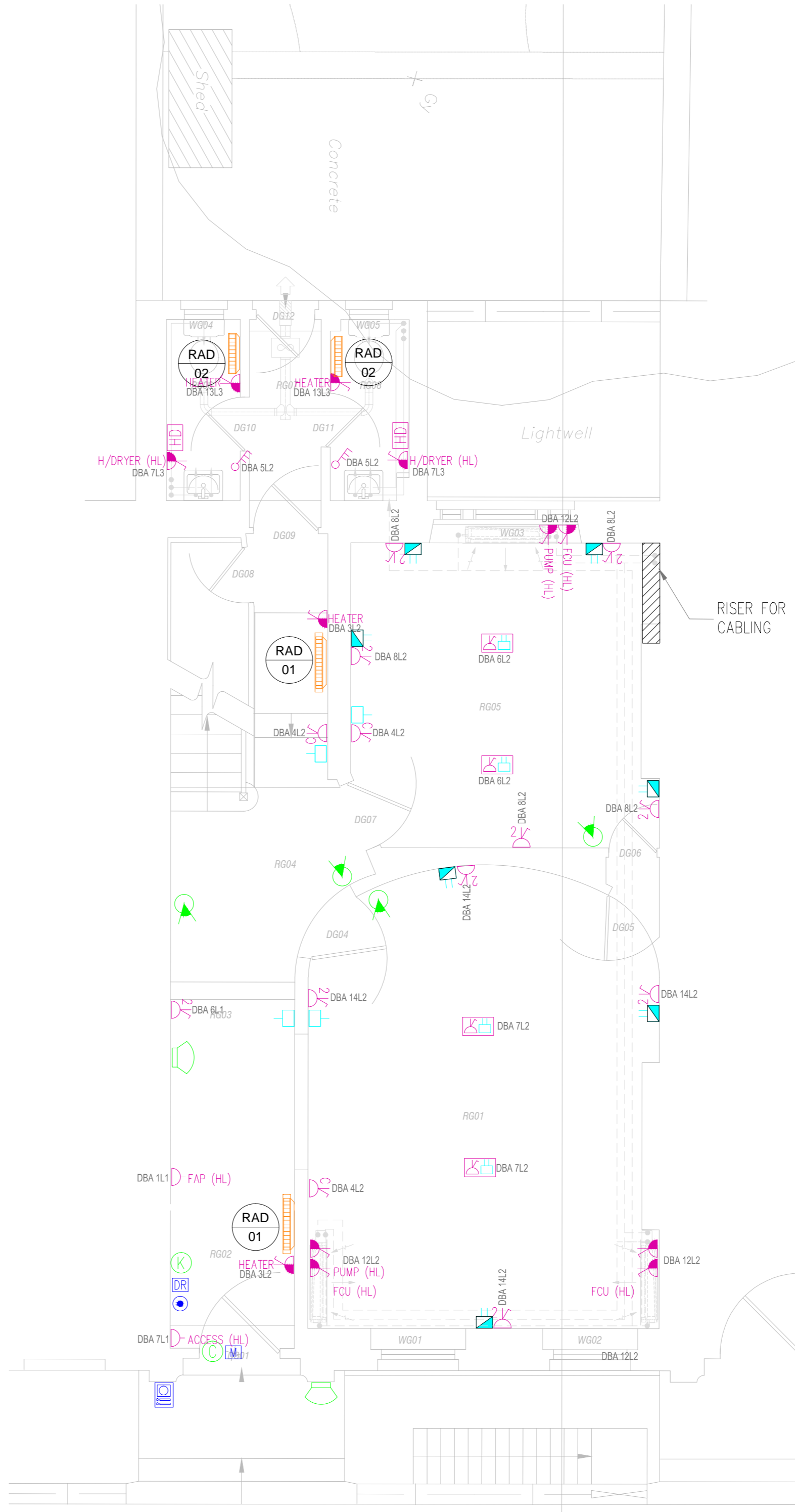
- LEGEND**
- A** 'SPACE LED' SUSPENDED LED LINEAR LUMINAIRE BY MID LIGHTING WITH UPLIGHTING. MOUNTED AT 0.5m BELOW CEILING. REF: SPACE 2 153 LED 6800-840 PW U-D
  - B** LED VAPORPROOF LED BATTEN LUMINAIRE BY QVIS. REF: NCF-1200NW. 3300 LUMENS
  - C** 'FR-LED' FIRE RATED LED RECESSED DOWNLIGHT BY MID LIGHTING. IP65. 4000K CCT. GREY BEZEL
  - D** 'SPACE LED' SUSPENDED LED LINEAR LUMINAIRE BY MID LIGHTING WITH UPLIGHTING. MOUNTED AT 0.5m BELOW CEILING. REF: SPACE 2 123 LED 840 PW U-D
  - E** DENOTES EMERGENCY VERSION OF LIGHT FITTING
  - F** 'GLORIOUS' LED DIR./IND LED PENDANT BY PROLIGHT. REF: 410-1023 -03-01. 4000K CCT, OPAL DIFFUSER
  - G** 'ADA LED' EXTERNAL UP/DOWNLIGHT BY MID LIGHTING. REF: MI/ADA/150/LED. 4000K CCT
  - H** 'CONVEX' LED WALL MOUNTED AMENITY LUMINAIRE BY QVIS. C/W INTEGRAL SENSOR. REF: CON-350ECO-24NW/MS. CONTRACTOR TO CONFIRM PART CODE FOR SENSOR
  - K** LED WALL MOUNTED UP & DOWNLIGHTER BY TORNADO LIGHTING. REF: TR7226. 26W LED VERSION
  - L** 'GLORIOUS' LED DIR./IND LED PENDANT BY PROLIGHT. REF: 410-1175-03 01. 4000K CCT, OPAL DIFFUSER. DALI DIMMABLE
  - PE** EXTERNAL DAYLIGHT PHOTOCELL
  - T** EXTERNAL LIGHTING TIME SWITCH
  - K** EMERGENCY LIGHTING TEST KEY SWITCH FACILITY
  - S** RECESSED 230V PIR MOVEMENT SENSOR BY HAGER. FIRE HOODS APPLIED.
  - EM1** 'MILEGEND' SURFACE MOUNTED ESCAPE LUMINAIRE BY MID LIGHTING
  - EM2** 'FRONTIER' IP65 LED LUMINAIRE BY MID LIGHTING. C/W HOOD ATTACHMENT & EMERGENCY BATTERY PACK. 15W VERSION. 3000K CCT. MAINTAINED VERSION
  - M** MASTERSEAL 1 GANG, 1 WAY LIGHT SWITCH
  - S** MOMENTARY LIGHT SWITCH. NO OF GANGS AS INDICATED. BRUSHED STAINLESS STEEL FINISH
  - S** FIRE ALARM SMOKE DETECTOR
  - S** FIRE ALARM SMOKE DETECTOR WITHIN VOID
  - S** FIRE ALARM SMOKE DETECTOR C/W STROBE
  - S** FIRE ALARM SMOKE DETECTOR C/W SOUNDER
  - S** FIRE ALARM SMOKE DETECTOR C/W SOUNDER & STROBE
  - H** FIRE ALARM HEAT DETECTOR
  - H** FIRE ALARM HEAT DETECTOR C/W SOUNDER & STROBE
  - S** FIRE ALARM SOUNDER & STROBE
  - FIRE** ADDRESSABLE FIRE ALARM PANEL FOR WIRELESS SYSTEM
  - IR** LED INDICATOR
  - MANUAL CALL POINT



**NOTCH REPAIR DETAIL 1**  
 FOR LONG NOTCH APPLICATIONS  
 FOR NOTCHES GREATER THAN 25mm DEEP  
 (SCALE 1:20)



**NOTCH REPAIR DETAIL 2**  
 FOR NOTCHES GREATER THAN 25mm DEEP  
 (SCALE 1:20)

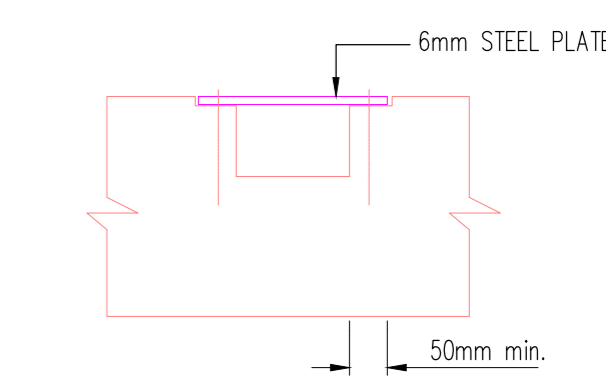


POWER, DATA & SECURITY

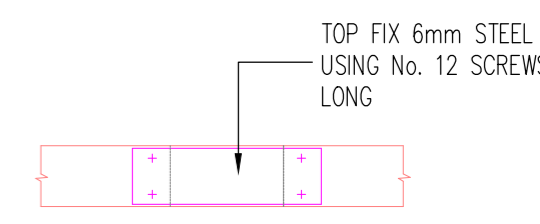
- LEGEND**
- MAIN 100A TP&N CUT OUT WITH UTILITY METER**
  - HAGER 'INVICTA' TPN DISTRIBUTION BOARD. C/W INTEGRAL METER**
  - UN-SWITCHED FUSE CONNECTION UNIT (OPERATION AS SHOWN)**
  - SWITCH FUSE CONNECTION UNIT C/W NEON INDICATOR. BRUSHED STAINLESS STEEL FACEPLATE WHEN VISIBLE**
  - TRIPLE POLE ISOLATOR FOR FAN UNITS AT HIGH LEVEL**
  - CLEANERS SOCKET OUTLET FULLY RECESSED AT LOW LEVEL. BRUSHED STAINLESS STEEL FACEPLATE**
  - DOUBLE SWITCH SOCKET OUTLET FULLY RECESSED AT LOW LEVEL. BRUSHED STAINLESS STEEL FACEPLATE**
  - DOUBLE SWITCH SOCKET OUTLET INSTALLED ON DADO TRUNKING/ABOVE WORKTOP. BRUSHED STAINLESS STEEL FACEPLATE**
  - METAL CLAD DOUBLE SWITCH SOCKET OUTLET**
  - SINGLE PHASE ISOLATOR - RATING AND OPERATION AS SHOWN**
  - THREE PHASE ISOLATOR - RATING AND OPERATION AS SHOWN**
  - MULTI-COMPARTMENT FLOOR RECESSED POWER/DATA BOX BY LE GRAND. INCLUDES 2 DOUBLE SOCKETS & 4 RJ-45'S**
  - WARNER HOWARD AIR FORCE 1.1kW HAND DRYER IN CHROME**
  - SINGLE RJ45 VOICE & DATA OUTLET FULLY RECESSED AT LOW LEVEL. BRUSHED STAINLESS STEEL FACEPLATE**
  - DOUBLE RJ45 VOICE & DATA OUTLET FULLY RECESSED AT LOW LEVEL. BRUSHED STAINLESS STEEL FACEPLATE**
  - SINGLE RJ45 VOICE & DATA OUTLET FULLY RECESSED AT 1200mm AFFL. BRUSHED STAINLESS STEEL FACEPLATE**
  - COMMS RACK**
  - ACCESS CONTROL POWER CONTROL CENTRE**
  - ACCESS CONTROL DOOR RELEASE BUTTON**
  - ACCESS CONTROL DOOR MAG LOCK**
  - ACCESS CONTROL EMERGENCY EGRESS BREAK GLASS UNIT**
  - HANSET WITH INTEGRAL ACCESS PERMITTED BUTTON - EXACT POSITION TO BE AGREED.**
  - FLUSH MOUNTED INTERCOM WITH INTEGRAL CARD READER. STAINLESS STEEL FINISH - POSITION TO BE AGREED**
  - INTRUDER DETECTION PIR SENSOR**
  - INTRUDER DETECTION FINAL EXIT / ENTRANCE KEY PAD**
  - INTRUDER DETECTION EXTERNAL SOUNDER BEACON**
  - INTRUDER DETECTION DOOR CONTACTS**
  - INTRUDER DETECTION PANEL**

**ELECTRIC RADIATOR SCHEDULE**

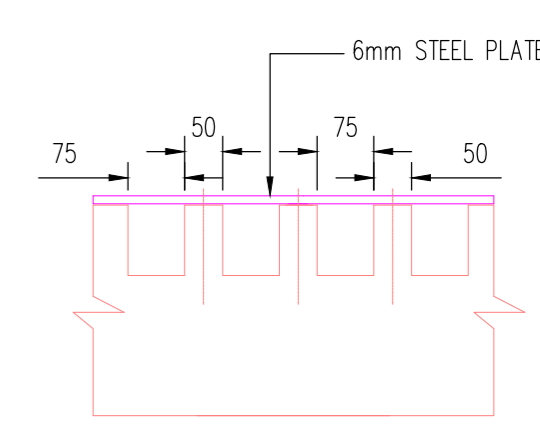
ID	MAKE	MODEL	HEIGHT	LENGTH	DEPTH	OUTPUT
RAD-01	DIMPLEX GIRONA	GFP100W C/W RX24TI CONTROL	565mm	700mm	107mm	1000W
RAD-02	DIMPLEX GIRONA	GFP050W C/W RX24TI CONTROL	565mm	530mm	107mm	500W



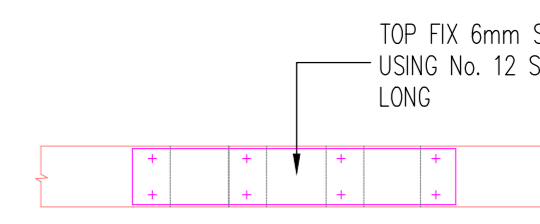
**NOTCH REPAIR DETAIL 1**  
 FOR NOTCHES UPTO 25mm DEEP & OVER SERVICES  
 (SCALE 1:10)



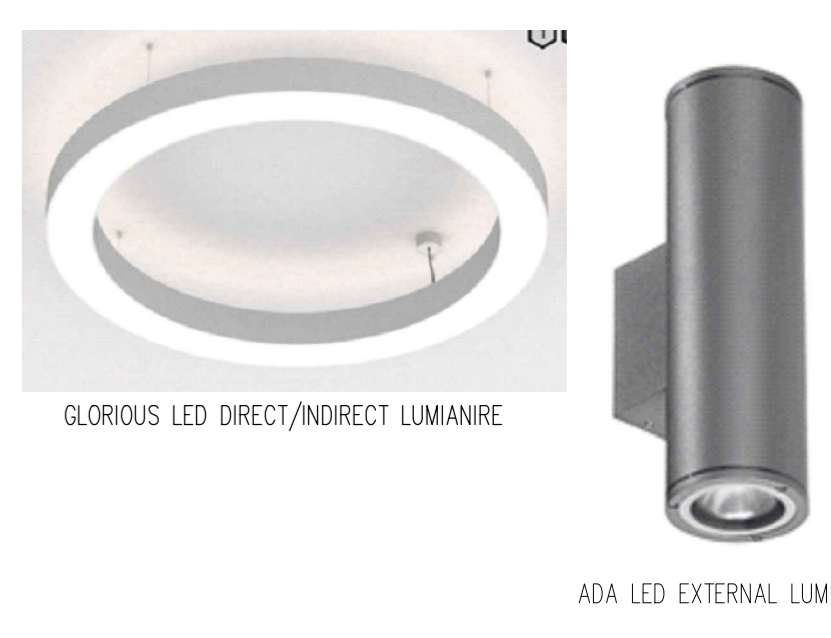
**PLAN ON NOTCH REPAIR**  
 (SCALE 1:10)



**MULTI-NOTCH REPAIR DETAIL 2**  
 FOR NOTCHES UPTO 25mm DEEP & OVER SERVICES  
 (SCALE 1:10)



**PLAN ON MULTI-NOTCH REPAIR**  
 (SCALE 1:10)



## XREF HISTORY

Architects Information

Company	Filename	Drawing No.	Revision
-	EXISTING & PROPOSED BASEMENT PLAN	-	DRAFT

Rev	Dwn	Date	Description
P2	KM	x	ONGOING DESIGN DEVELOPMENT
P1	KM	20.09.17	PRELIMINARY ISSUE

## PURPOSE OF ISSUE

**PRELIMINARY**

**CLIENT**  
 THE BEDFORD ESTATES

**SCHEME**  
 81 GOWER STREET  
 LONDON

**TITLE**  
 ELECTRICAL SERVICES  
 GROUND FLOOR

© THIS DESIGN IS THE PROPERTY OF ITD CONSULTANTS LTD AND SHALL NOT BE REPRODUCED OR COPIED IN ANY WAY OR CONVEYED TO A THIRD PARTY WITHOUT THE OWNERS WRITTEN PERMISSION.

**itd** CONSULTANTS LTD (ENGINEERING SERVICES)  
 Tel: 023 9243 5050  
 www.itdconsultants.co.uk  
 e-mail: eng@itdconsultants.co.uk

**SCALE** 1:50 @ A1 **DATE** SEP. 2017

**DRAWN BY** KM **CHECKED BY** ITD

**DRAWING NO.** 17/2469/E01 **REVISION** P2

