

WARNING

INFORMATION ON THIS DRAWING IS PRODUCED USING COLOURS IF DRAWING IS NOT PRINTED IN COLOUR VITAL INFORMATION MAY BE OBSCURED OR MISSING

DOE TO HIGH LEVEL PLANT INSTALLATIONS THE MAJORITY OF WORK SHALL BE CARRIED OUT AT HEIGHT. SAFE WORKING METHODS TO BE OBSERVED DURING INSTALLATION AND MAINTENANCE.

NOTES:

- 1. The drawing does not necessarily show all the information needed to interpret the design intent or the construction details.
2. The drawing contains information from more than one source and must be read in conjunction with all relevant specifications.
3. Any apparent drafting errors and differences between other drawings and specifications shall be brought to our attention.
4. The final location, colour and finish of visible items (grilles, extract valves etc.) are to be agreed and approved by the Architect/Client prior to order and installation.
5. Contractor to allow for liaising with the Architect to agree final detail and integration of supply, extract and dummy grilles within joinery, ceiling grid and partitions as required to suit installation.
9. Ventilation & air conditioning / plant controllers shall be surface mount type local to each unit or integrated into the unit or similar.
10. Refer to Architect's drawings for details of ceiling heights and access panels. Generally ceiling void & ceiling construction depths are as follows:
Typical Rooms: 100-300mm (3.2m high Ceiling) TBC

GENERAL NOTES

- 1. ALL MECHANICAL SERVICES ARE SHOWN INDICATIVE ONLY. THE CONTRACTOR SHALL PROVIDE ALL NECESSARY BENDS, OFFSETS, FITTINGS, ETC. TO SUIT THE INSTALLATION AND BUILDING CONSTRUCTION AND CO-ORDINATE FINAL ROUTES WITH ALL OTHER TRADES/SERVICES.
2. ALL EXISTING SERVICES POSITIONS AND SIZES ARE APPROXIMATE ONLY.
3. THE DRAWING DOES NOT INDICATE THE PRESENCE OF ALL SERVICES EXISTING ON SITE AND IS TO BE READ IN CONJUNCTION WITH THE MECHANICAL SERVICES SPECIFICATION AND DRAWINGS.
4. PIPEWORK TO BE CO-ORDINATED WITH ALL NEW AND EXISTING SERVICES, STRUCTURE, BUILDING CONSTRUCTION ETC.
5. THIS DRAWING IS TO BE READ IN CONJUNCTION WITH THE PROJECT SPECIFICATION AND DRAWINGS. ALL MECHANICAL SERVICES ARE SHOWN INDICATIVE ONLY. THE CONTRACTOR SHALL LIAISE FULLY ON SITE WITH ALL OTHER TRADES TO ENSURE THAT ALL SERVICES CAN BE INSTALLED CORRECTLY. NO SERVICES ARE TO BE INSTALLED PRIOR TO THE PRODUCTION OF FULLY CO-ORDINATED WORKING DRAWINGS.

STANDARD VENTILATION NOTES

- 1. THIS DRAWING IS TO BE READ IN CONJUNCTION WITH THE PROJECT SPECIFICATION AND DRAWINGS.
2. PRIOR TO MODIFYING ANY EXISTING SYSTEM THE CONTRACTOR SHALL MEASURE THE EXISTING FLOW RATES & ISSUE RESULTS TO ENGINEER IN A REPORT.
3. ALL DUCTWORK TO BE MANUFACTURED AND INSTALLED TO THE REQUIREMENTS OF HVCA DW 172, SPECIFICATION FOR KITCHEN VENTILATION SYSTEMS.
4. ALL GENERAL VENTILATION DUCTWORK TO BE MANUFACTURED AND INSTALLED TO THE REQUIREMENTS OF HVCA DW 144, LOW PRESSURE, LOW VELOCITY.
5. ALL FRESH AIR INTAKE & EXTRACT DUCTWORK HAVING A HEAT RECOVERY DEVICE FITTED SHALL BE INSULATED & VAPOUR SEALED. SEE ADDITIONAL NOTES.
6. CONDENSE DRAINS SHALL BE PROVIDED TO ALL COOLING COILS & HEAT RECOVERY DEVICES COMPLETE WITH APPROPRIATELY SIZED TRAP. SEE ADDITIONAL NOTES.
7. ACCESS DOORS SHALL BE PROVIDED IN ACCORDANCE WITH THE REQUIREMENTS OF HVCA TR/19, TABLE 2, IN ADDITION ALL ACCESS DOORS SHALL HAVE ONE DIMENSION OF AT LEAST 400mm TO ALLOW ACCESS. ALL ACCESS DOORS SHALL BE FULLY INSULATED, WITH SADDLES ON CIRCULAR DUCTWORK.
8. FLEXIBLE DUCT CONNECTIONS TO DIFFUSERS & GRILLES SHALL NOT EXCEED 1.0m, INSULATED FLEXIBLE DUCT SHALL BE USED ON SUPPLY & HEAT RECOVERY RETURN DUCTWORK.
5. DIFFUSER NECK SIZES ARE SHOWN DIAGRAMMATICALLY ONLY. DIFFUSERS ARE TO BE COMPLETE WITH TRANSFORMATION PLENUM WHERE CONNECTED TO CIRCULAR DUCTWORK. ALL DIFFUSER/GRILLE SIZES AND CONNECTIONS ARE DIAGRAMMATIC ONLY.
6. ALL BENDS SHALL BE MEDIUM RADIUS.
7. THE CONTRACTOR SHALL CO-ORDINATE THE INSTALLATION WITH ALL OTHER SERVICES & THE BUILDING STRUCTURE.
8. ALL VOLUME CONTROL DAMPERS SHALL BE OPPOSED BLADE TYPE & LOCATED ADJACENT TO BRANCH CONNECTIONS.
9. ALL GRILLES & DIFFUSERS SHALL HAVE WELDED MITRES & INDEPENDENT SUPPORTS BACK TO THE MAIN STRUCTURE, THEY SHALL NOT BE SUPPORTED BY THE CEILING GRID.
10. ALL FIRE DAMPERS & FIRE/SMOKE DAMPERS IN PARTITION WALLS SHALL HAVE INDEPENDENT SUPPORTS TO THE MAIN STRUCTURE.
11. INSTALLATION SHALL COMPLY WITH HVCA DW 144.
12. ALL DUCTWORK CONNECTING TO ACOUSTIC LOUVRES SHALL BE LAGGED WITH ACOUSTIC INSULATION.
13. LABELLING OF DUCTWORK SHALL INCLUDE DIRECTION & SERVICE ARROWS & AHU OR EXTRACT FAN SERVING DUCTWORK.
14. ALL VCD'S SHALL HAVE THEIR COMMISSIONED HANDLE POSITIONS CLEARLY MARKED AT COMMISSIONING.

ADDITIONAL NOTES

- 1. ONLY FRESH AIR INTAKE AND EXHAUST AIR DUCTWORK SHALL BE THERMALLY INSULATED & VAPOUR SEALED.

DOMESTIC WATER SERVICES NOTES

- 1. ALL WATER SERVICES INSTALLATIONS TO COMPLY WITH THE WATER REGULATIONS 1999 AND THE LEGIONELLA CODE/ACOP LB.
2. PRIOR TO MODIFYING ANY EXISTING SYSTEM THE CONTRACTOR SHALL MEASURE THE EXISTING FLOW RATES & ISSUE RESULTS TO ENGINEER IN A REPORT.
3. ALL WORKS SHALL BE IN ACCORDANCE WITH BS806 2012.
4. ALL OUTLETS SHALL BE FITTED C/W 1/4 TURN ISOLATING VALVE, CRANE HANDLE FULL FLOW OR EQUIVALENT.
5. ALL HWS R CONNECTIONS SHALL BE MADE NO MORE THAN 2m FROM THE OUTLET.
6. NO BLENDED HWS LEG SHALL EXCEED 1m.
7. ALL PIPEWORK SHALL BE INSTALLED SUCH THAT IT IS SELF VENTING & INSTALLED C/W AUTOMATIC AIR VENTS WITH MANUAL 1/4 TURN IV'S. AIR VENTS SHALL HAVE CAPILLARY DISCHARGE PIPEWORK RUN TO CONVENIENT WASTE PIPEWORK C/W TRAPPED TUNDRISH.
8. DRAIN COCKS SHALL BE FITTED AFTER MAIN INCOMING IV & MAIN BRANCHES.
9. ALL SURFACE EXPOSED PIPEWORK SHALL BE CHROME. PIPEWORK SHALL BE INSTALLED WITH THE MINIMUM NUMBER OF FITTINGS POSSIBLE.
10. ALL REDUNDANT/CUT BACK PIPELINES SHALL BE REMOVED C/W THE INLINE TEE. NO DEAD LEGS SHALL REMAIN.
11. ALL MCW OUTLETS SHALL BE LABELLED WITH ENGRAVED 'TRAFFOLYTE' 'DRINKING WATER' LABELS (50mmx15mm).
12. ALL UNBLENDED HOT WATER OUTLETS SHALL BE LABELLED WITH ENGRAVED 'TRAFFOLYTE' 'WARNING 60C, HOT WATER' LABELS (50mmx15mm).
13. THE CONTRACTOR SHALL CO-ORDINATE THE INSTALLATION WITH ALL OTHER SERVICES & THE BUILDING STRUCTURE TO ENSURE MAINTENANCE ACCESS.
14. ALL CONCEALED PIPEWORK TO BE INSULATED, CWS & MCW TO BE VAPOUR SEALED.
15. HWS-R PUMP WHERE FITTED, SHALL BE ON THE RETURN.
16. ALL WATER SERVICES PIPEWORK TO BE COPPER TO BS EN 1057-R200.
17. NO PUSH FIT FITTINGS SHALL BE USED.
18. ALL NEW/AFFECTED H&C WATER PIPEWORK SHALL BE CHLORINATED, SAMPLED & TESTED BY CONTRACTORS EMPLOYED SPECIALIST PRIOR TO HANDOVER/BENEFICIAL USE OF ANY AREA. TEST RESULTS SHALL BE ISSUED TO C.A. AT HANDOVER/BENEFICIAL USE OF ANY AREA.
19. WHERE UNINSULATED HWS & CWS PIPEWORK RUN HORIZONTALLY TOGETHER THE CWS PIPE SHALL BE BELOW THE HWS.

ADDITIONAL NOTES

- 20. CONTRACTOR TO ALLOW TO STRIP OUT ALL EXISTING REDUNDANT SERVICES FROM EXISTING LOCATIONS BACK TO POINT OF ENTRY INTO THE BUILDING. REFER TO SPECIFICATION.
21. CONTRACTOR TO SITE MEASURE TO CONFIRM SIZES PRIOR TO ORDERING.

Table with columns: P1, PDJ, 04.09.17, PRELIMINARY ISSUE. Rev, Dwn, Date, Description.

PURPOSE OF ISSUE

PRELIMINARY

CLIENT THE BEDFORD ESTATES

SCHEME 6 BAYLEY STREET LONDON

TITLE MECHANICAL SERVICES FIRST FLOOR

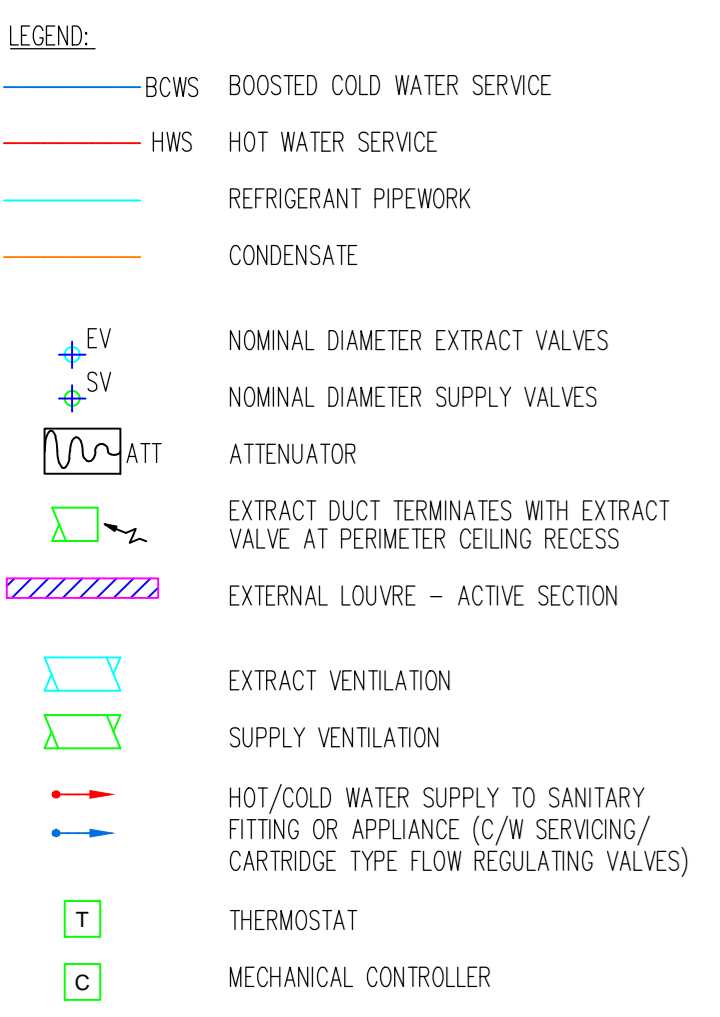
© THIS DESIGN IS THE PROPERTY OF ITD CONSULTANTS LTD AND SHALL NOT BE REPRODUCED OR COPIED IN ANY WAY OR CONVEYED TO A THIRD PARTY WITHOUT THE OWNERS WRITTEN PERMISSION.



SCALE 1:50 @ A1 DATE SEP. 2017

DRAWN BY PDJ CHECKED BY ITD

DRAWING NO. 17/2470/M02 REVISION P1



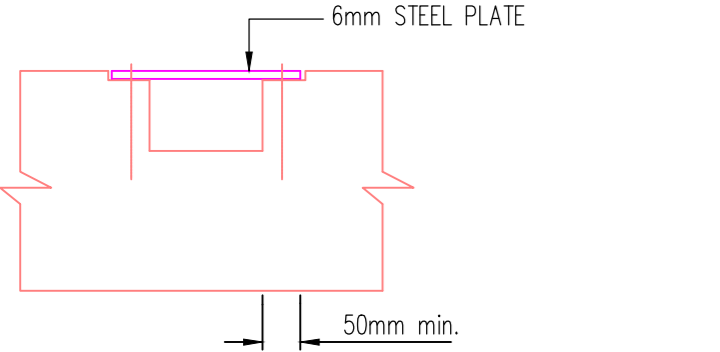
LEGEND table with columns L/s and mmxmm for PRESSURE and VELOCITY. Includes symbols for CS, IV, LSV, TRV, TS, T, TS, F&R, H/L, L/L, C/W, FC, FD, VCD.

FIRE RATED SERVICES NOTES. 1. ALL NEW MECHANICAL SERVICES SHALL BE FIRE RATED/FIRE STOPPED IN ACCORDANCE WITH THE RELEVANT ARCHITECTS FIRE STRATEGY PLAN. 2. THE CONTRACTOR SHALL INSTALL FIRE SLEEVES, FIRE COLLARS AND DAMPERS TO MATCH THE ARCHITECTS SPECIFIED FIRE RATING.

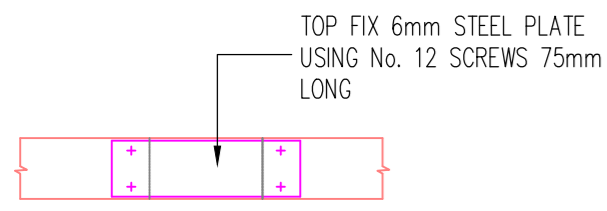
CONDENSATE DRAINAGE NOTES. 1. THE DRAWING IDENTIFIES INDICATIVE ROUTES OF THE GRAVITY CONDENSATE DRAINAGE SYSTEMS ONLY. CONTRACTOR TO PROVIDE ALL NECESSARY BENDS, OFFSETS, ETC. TO SUIT THE INSTALLATION AND BUILDING CONSTRUCTION AND CO-ORDINATE FINAL ROUTES WITH ALL OTHER NEW & EXISTING TRADES/SERVICES. 2. DRAINAGE PIPEWORK SHALL BE RUN IN DURAPIPE ABS TUBES AND FITTINGS, SUITABLY GRADED TO FALLS AND ADEQUATELY SUPPORTED THROUGHOUT. REFER TO SPECIFICATION. THE CONTRACTOR SHALL INCLUDE FOR ALL NECESSARY FITTINGS, ADAPTORS, ETC. TO CONNECT TO THE ABOVE GROUND DRAINAGE SYSTEMS.

ROOM CONTROLLER NOTES. 1. A CENTRAL CONTROLLER IS TO BE PROVIDED TO SERVE EACH INDIVIDUAL INDOOR UNIT. 2. THE POSITIONS SHOWN FOR THE ROOM CONTROLLER UNITS ARE FOR TENDER PURPOSES ONLY. FINAL POSITIONS ARE TO BE CO-ORDINATED WITH THE SITE CONDITIONS.

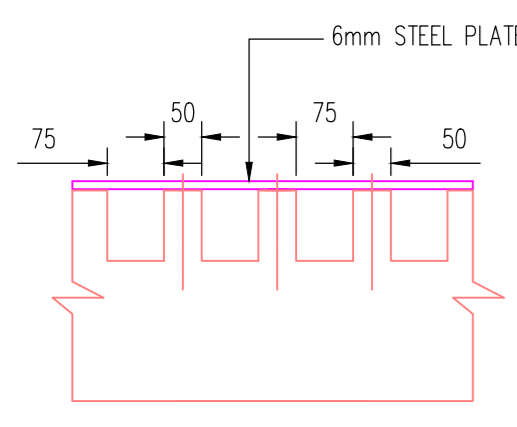
AIR CONDITIONING NOTES. 1. ALL REFRIGERANT PIPEWORK ROUTES ARE SHOWN INDICATIVE ONLY. CONTRACTOR TO PROVIDE ALL NECESSARY BENDS, OFFSETS, ETC. TO SUIT THE INSTALLATION AND BUILDING CONSTRUCTION AND CO-ORDINATE FINAL ROUTES WITH ALL OTHER TRADES/SERVICES. 2. ALL REFRIGERANT PIPEWORK SHALL BE INSULATED WITH CLASS '0' FIRE RESISTANT ARMAFLEX INSULATION, MINIMUM THICKNESS 13MM. ALL INSULATION EXPOSED TO THE ATMOSPHERE MUST BE WATERPROOF AND PAINTED ONLY WITH ARMAFINISH FR PAINT TO PREVENT ULTRAVIOLET DEGRADATION. REFER TO SPECIFICATION. 3. ALL REFRIGERANT PIPEWORK TO BE SUPPORTED NEATLY ON HEAVY DUTY RETURN FLANGE GALVANISED CABLE TRAY. SIZES OF CABLE TRAY INDICATIVE ONLY. POSITIONS OF INDOOR UNITS ARE TO BE CO-ORDINATED WITH THE LIGHTING AND CEILING PLANS, STRUCTURAL STEELWORK AND THE SERVICES. 4. CONDENSATE DISCHARGE PIPE FROM EACH INDOOR UNIT SHALL RUN TO CONNECT TO A FOUL DRAIN IN FULL COMPLIANCE WITH BS6281 & BS2598. 5. CONTRACTOR TO FULLY SUPPORT INDOOR AND EXTERNAL UNITS FULLY IN ACCORDANCE WITH THE MANUFACTURERS RECOMMENDATIONS AND GUIDELINES. THE PROPOSED SUPPORT DETAILS & POSITIONS OF ALL UNITS SHALL BE AGREED WITH THE STRUCTURAL ENGINEER.



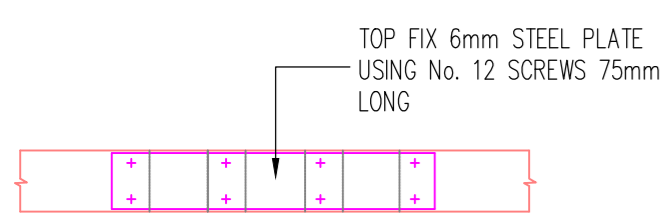
NOTCH REPAIR DETAIL 1 FOR NOTCHES UPTO 25mm DEEP & OVER SERVICES (SCALE 1:10)



PLAN ON NOTCH REPAIR (SCALE 1:10)



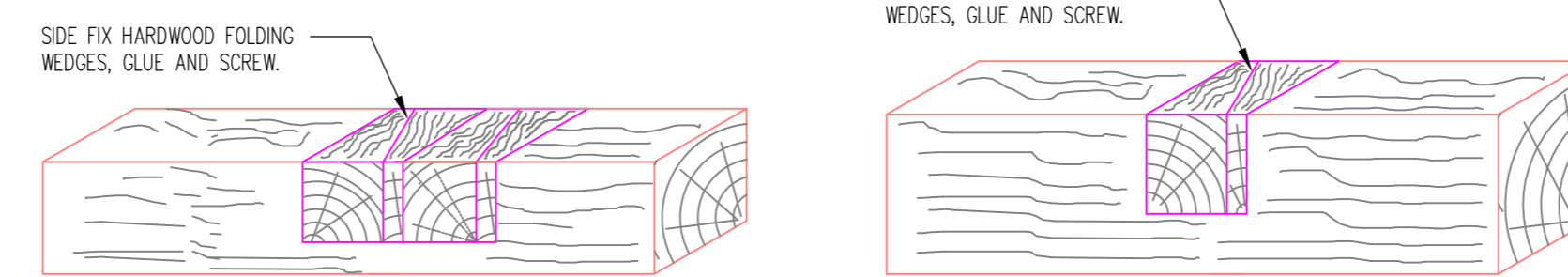
MULTI-NOTCH REPAIR DETAIL 2 FOR NOTCHES UPTO 25mm DEEP & OVER SERVICES (SCALE 1:10)



PLAN ON MULTI-NOTCH REPAIR (SCALE 1:10)

XREF HISTORY

Table with columns: Company, Filename, Drawing No., Revision. Row 1: Company, EXISTING & PROPOSED FIRST FLOOR PLAN, -, DRAFT.



NOTCH REPAIR DETAIL 1 FOR LONG NOTCH APPLICATIONS FOR NOTCHES GREATER THAN 25mm DEEP (SCALE 1:20)

NOTCH REPAIR DETAIL 2 FOR NOTCHES GREATER THAN 25mm DEEP (SCALE 1:20)

Table with 8 columns: IDENTIFICATION, MAKE, MODEL, TYPE / DATE, Norm. COOLING (kW), Norm. HEATING (kW), POWER SUPPLY, RUNNING CURRENT (A) HEATING/COOLING. Rows for CU-1, CU-2.

Table with 8 columns: IDENTIFICATION, MAKE, MODEL, TYPE, Norm. COOLING (kW), Norm. HEATING (kW), AIR VOLUME (L/s) @ LOW-HIGH SPEED SETTING, REFRIGERANT, UNIT SIZE HxWxD (mm). Rows for FCU 1/1, FCU 1/2, FCU 1/3.

Table with 7 columns: IDENTIFICATION, MAKE, MODEL, TYPE, STATIC PRESSURE (Pa), SOUND PRESSURE (dBA), VOLUME (L/s). Row for EF-03.