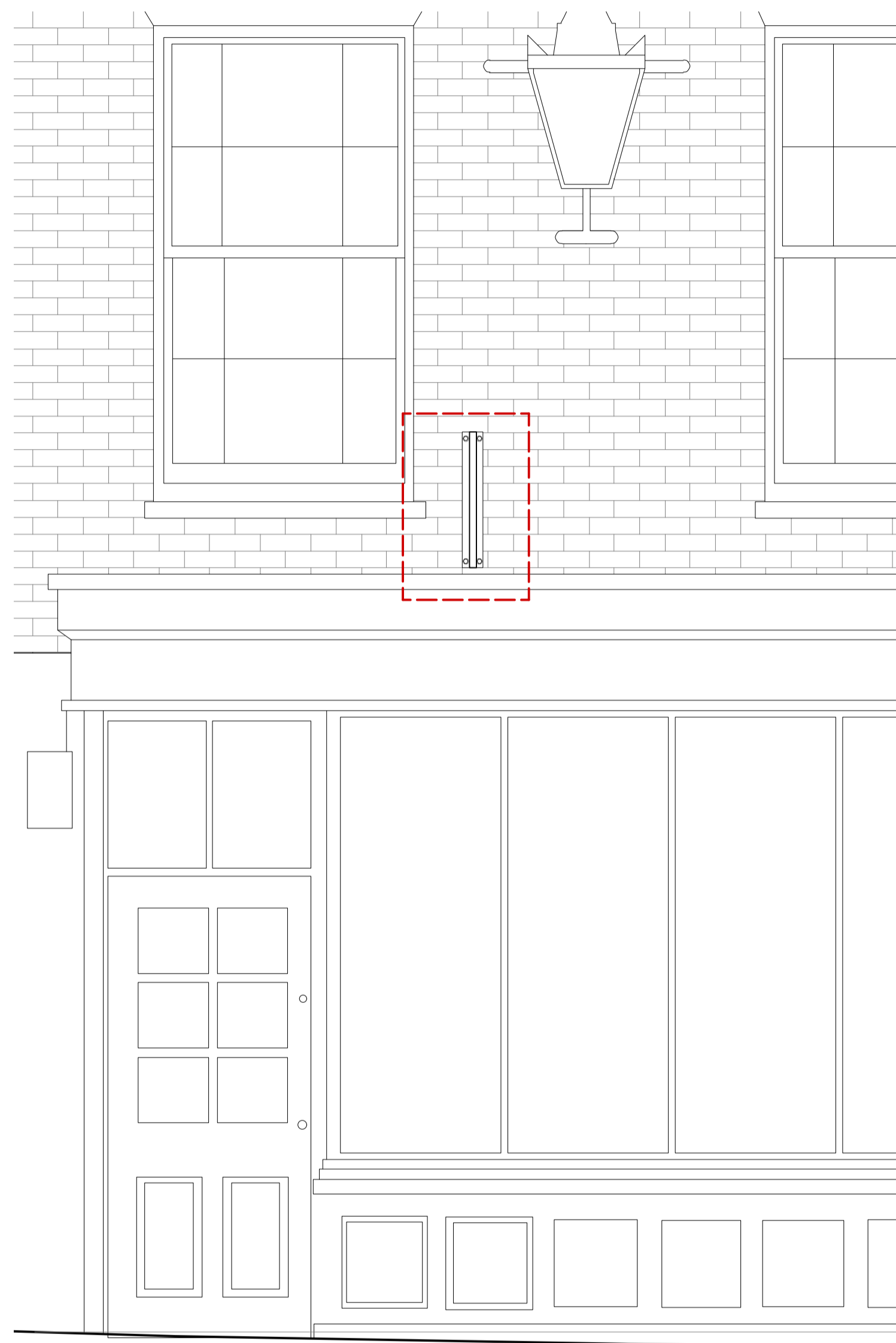
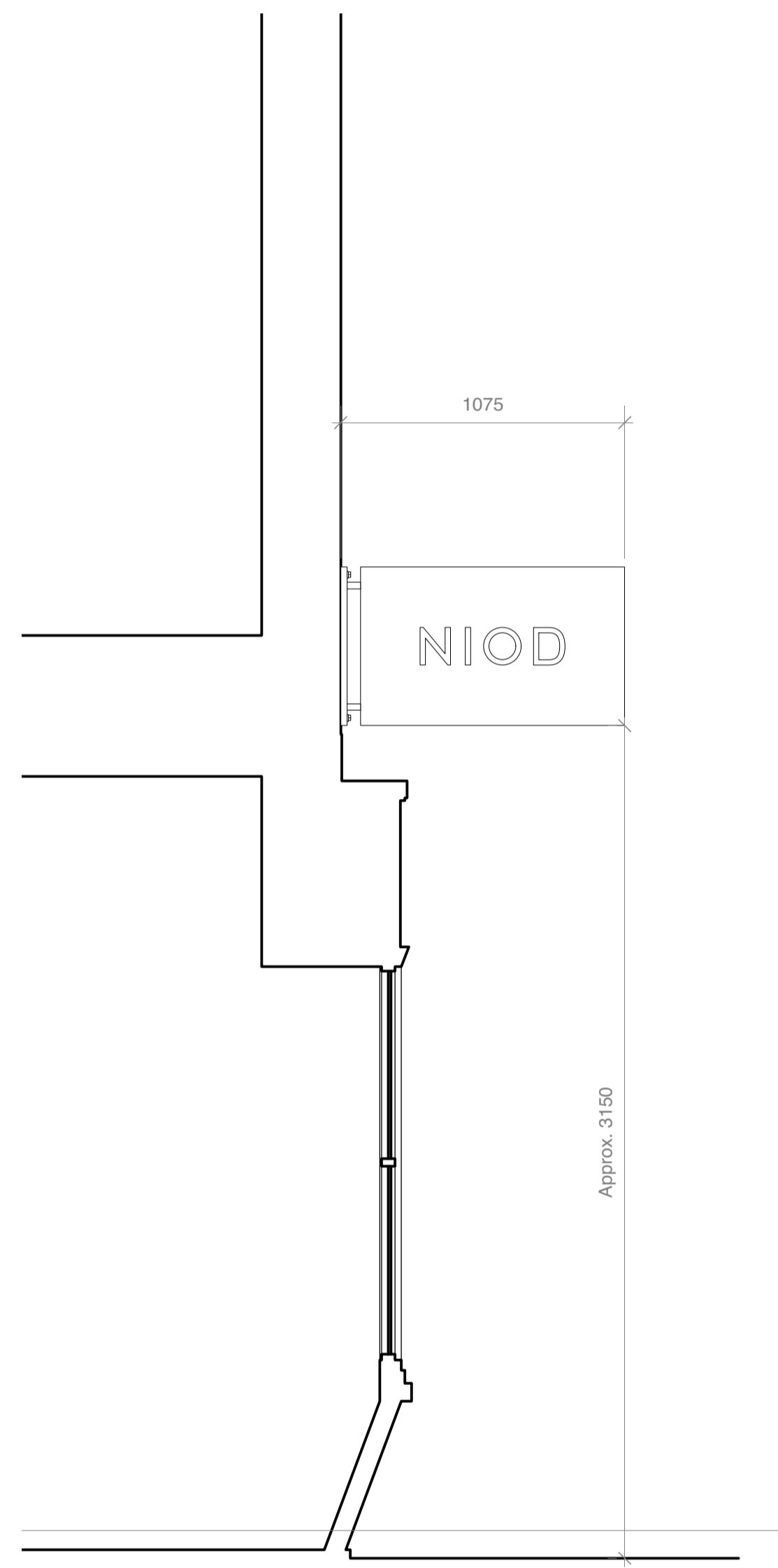


General Notes
 Do not scale from drawings.
 All dimensions must be checked on site and discrepancies verified with the Architect.
 Unless shown otherwise all dimensions are to be to structural surfaces and are in mm.
 Unless shown refer to internal door schedule for door sizes. Door openings to be set out to give full specified architrave either side.
 To be read in conjunction with all relevant Architects', Services and Structural Engineers' drawings. For all structural details and information refer to Structural Engineers drawings.
 For all mechanical and electrical information refer to M&E consultants drawings and information unless shown otherwise.
 Any discrepancies between drawings to be reported immediately to the Architect.
 Refer to drawing number for details.

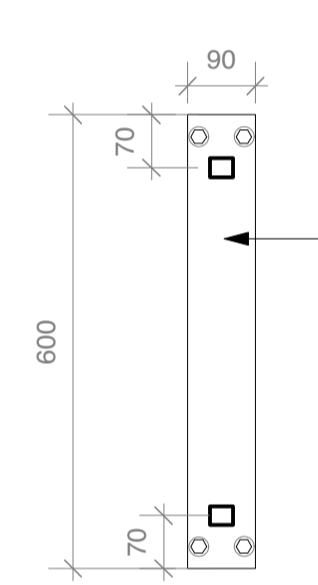


Side Elevation 1:20

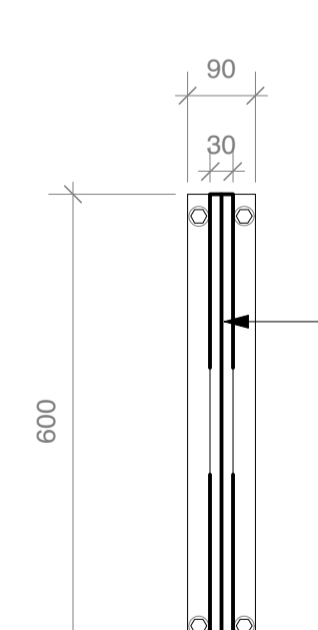


Front Elevation 1:20

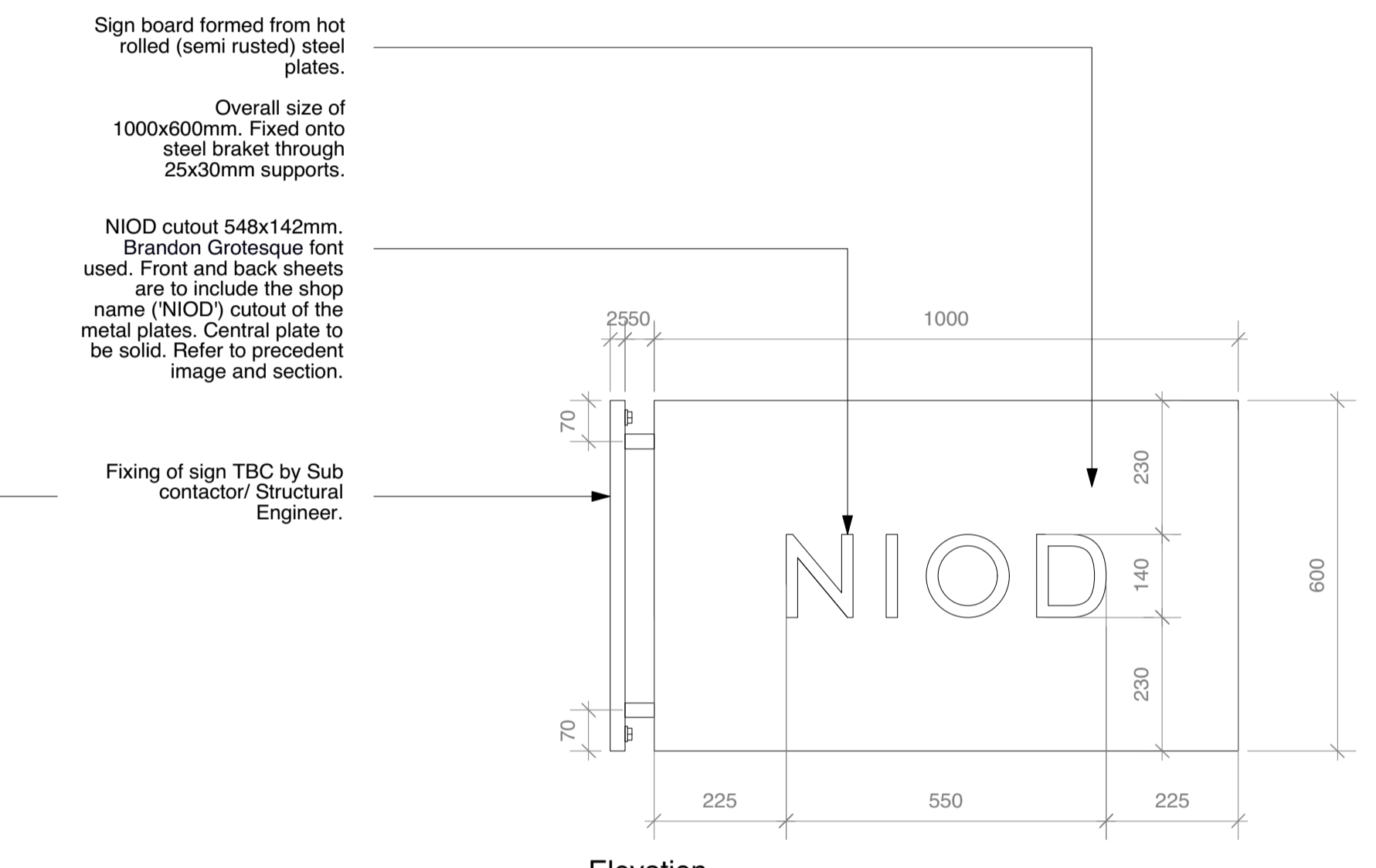
Sign board formed from hot rolled (semi rusted) steel plates.
 Overall size of 1000x600mm. Fixed onto steel bracket through 25x30mm supports.
 NIOD cutout 548x142mm. Brandon Grotesque font used. Front and back sheets are to include the shop name ('NIOD') cutout of the metal plates. Central plate to be solid. Refer to precedent image and section.
 Fixing of sign TBC by Sub contractor/ Structural Engineer.



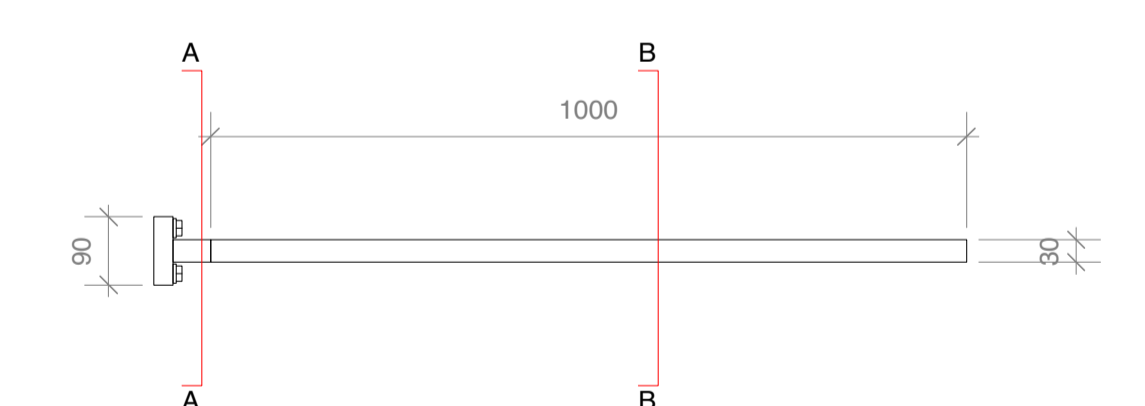
Section AA



Section BB



Elevation



Plan

Revision / Date	Drawn / Checked	Description
Client DECIM		
Project Monmouth Street		
Drawing Name NIOD Sign		
Project No. 44/1725	Prefix C	Drawing No. 005
Scale / Format 1:10 / A1	Drawn LF	Issue -
	Checked KN	Date 03.10.17