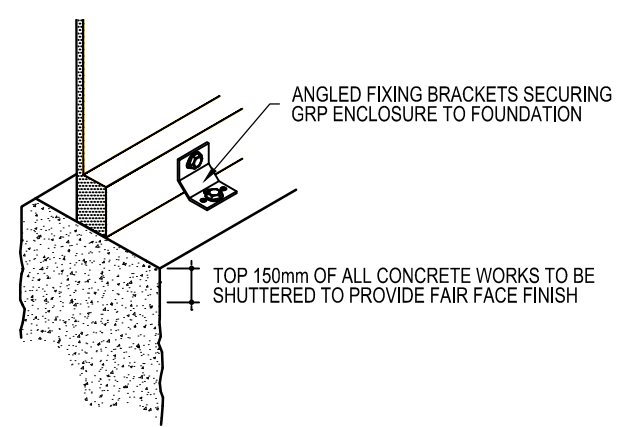
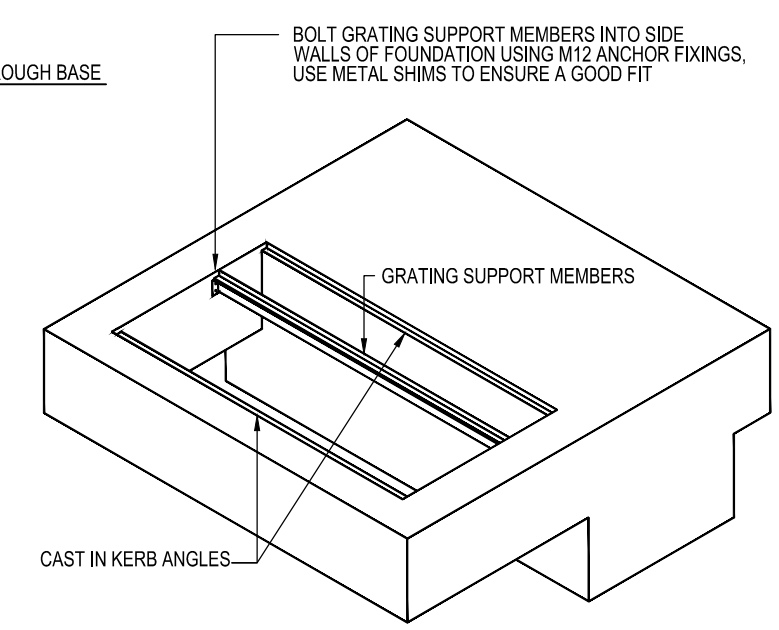
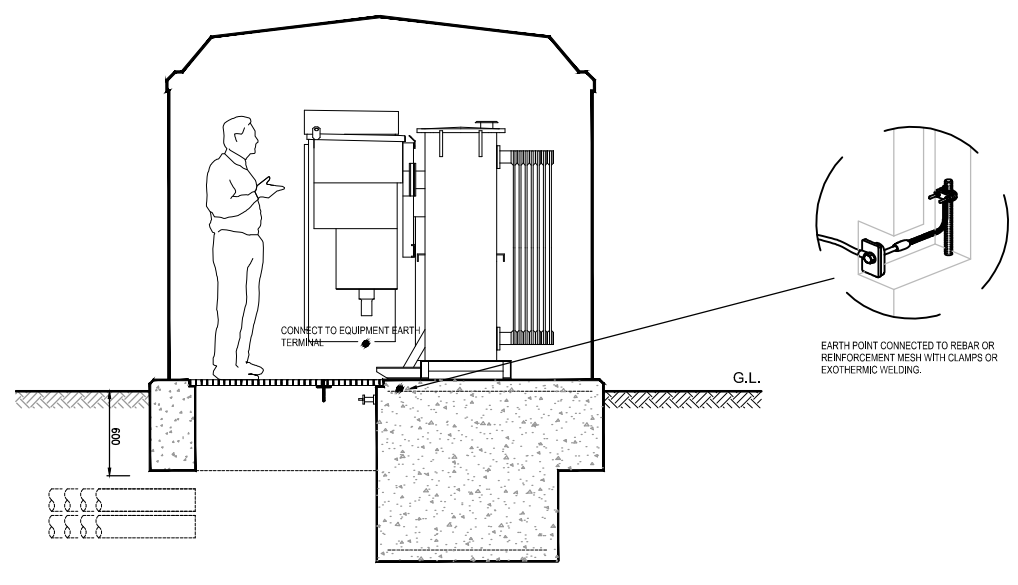
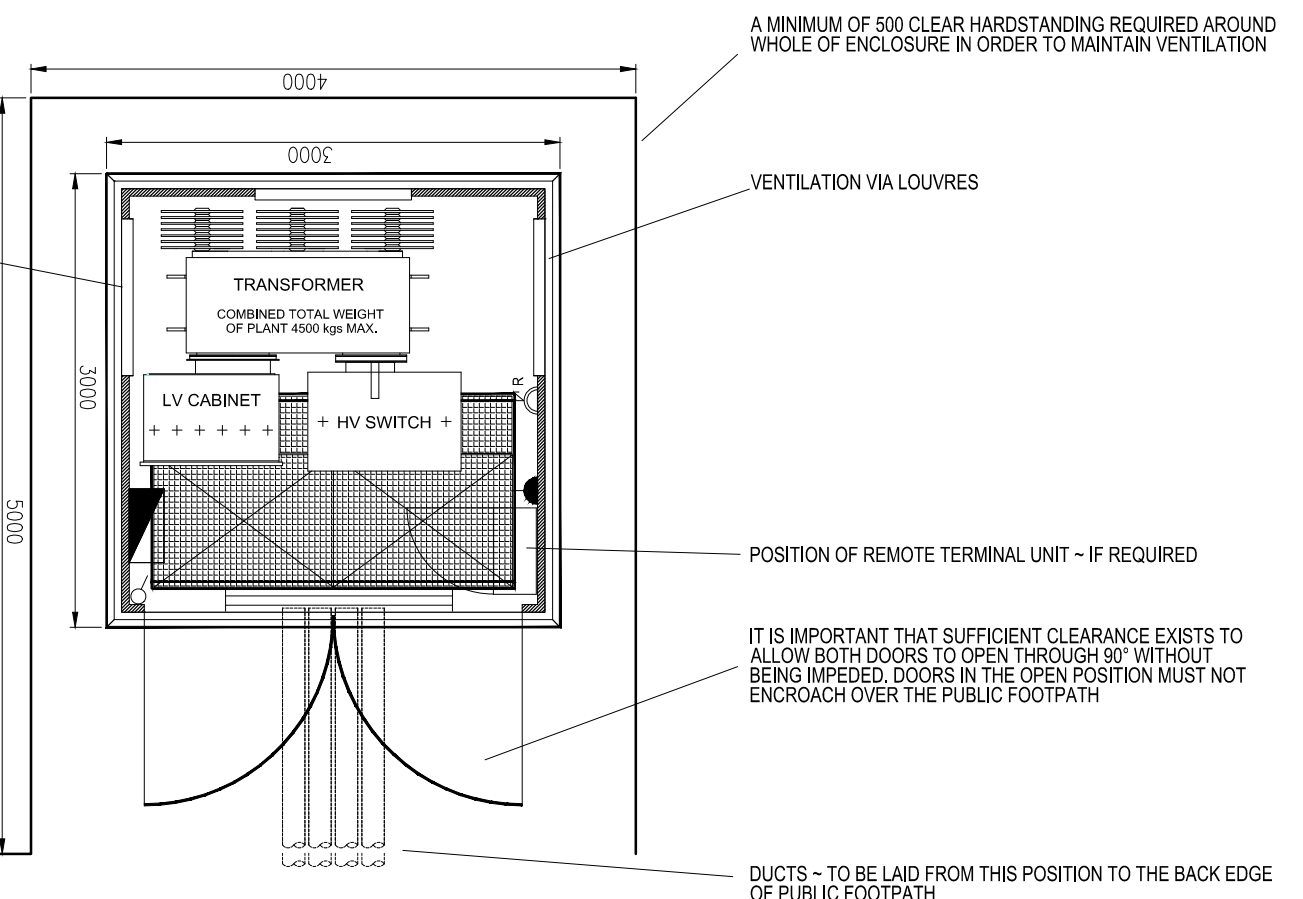


no.	description	date	initial	check initial
1	FIRST ISSUE	04/10/17	PB	PB



notes

DO NOT SCALE FROM THIS DRAWING*
 DRAWING SUBJECT TO COPYRIGHT ACT



Peter Bloxham Architect RIBA
 19 Crows Road
 Epping
 Essex, CM16 5DE
 Telephone 01992 610 819
 Email : peter@bloxarchitects.co.uk

client
 Kinleigh Folkard & Hayward

project
 NEW UKPN SUBSTATION
 PLANNING CONSENT

drawing
 1-114 Belsize Avenue / London NW3 4BG
 EDF DRAWING
 GENERIC INFORMATION

scale	date drawn	drawn by	
1:50 @ A3	20/10/17	PB	
1 check date	checked by	2 check date	checked by
20/10/17	PB	.	.
drawing no.	revision		
1014_HFC_AL-0-006	.		