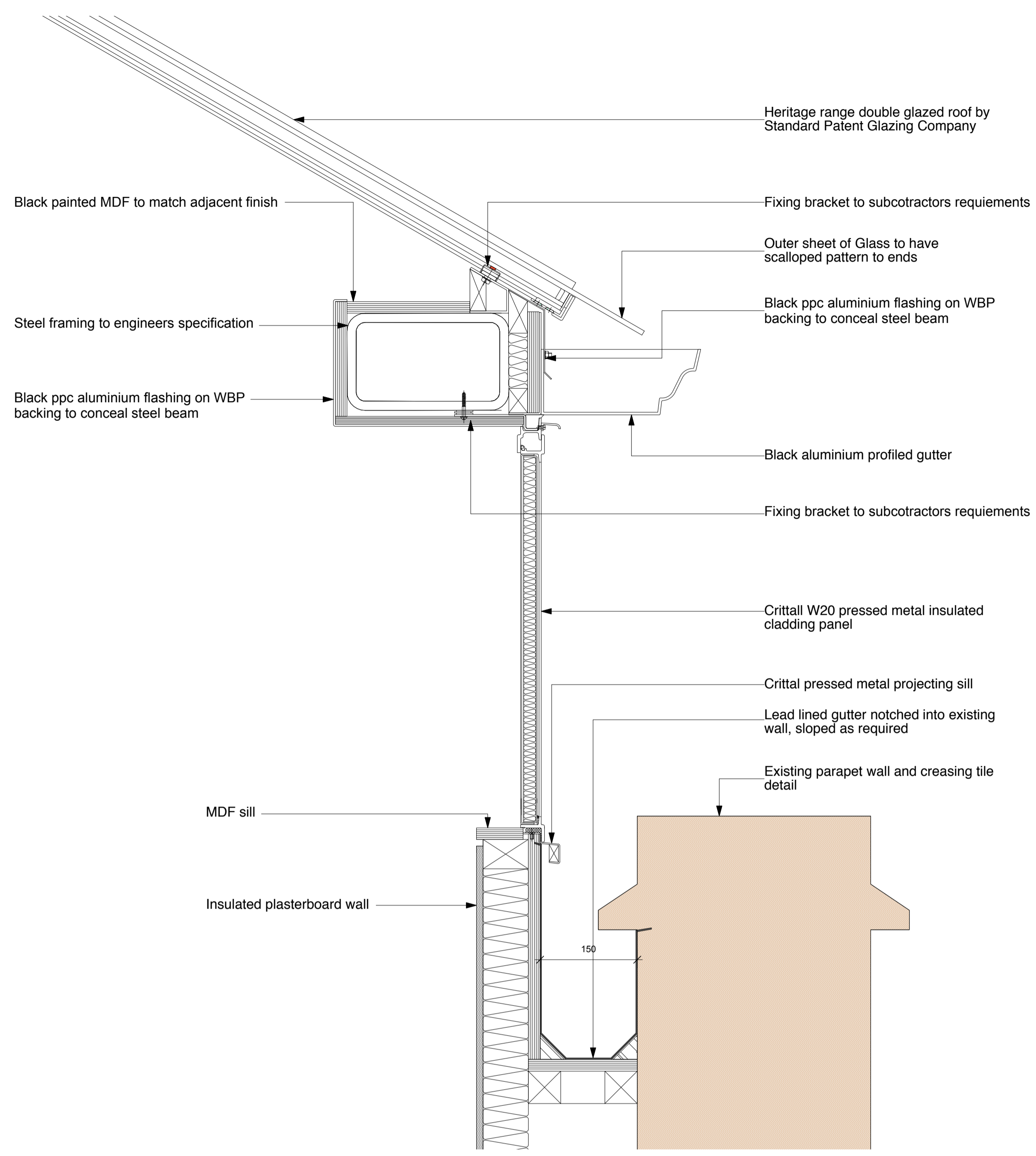
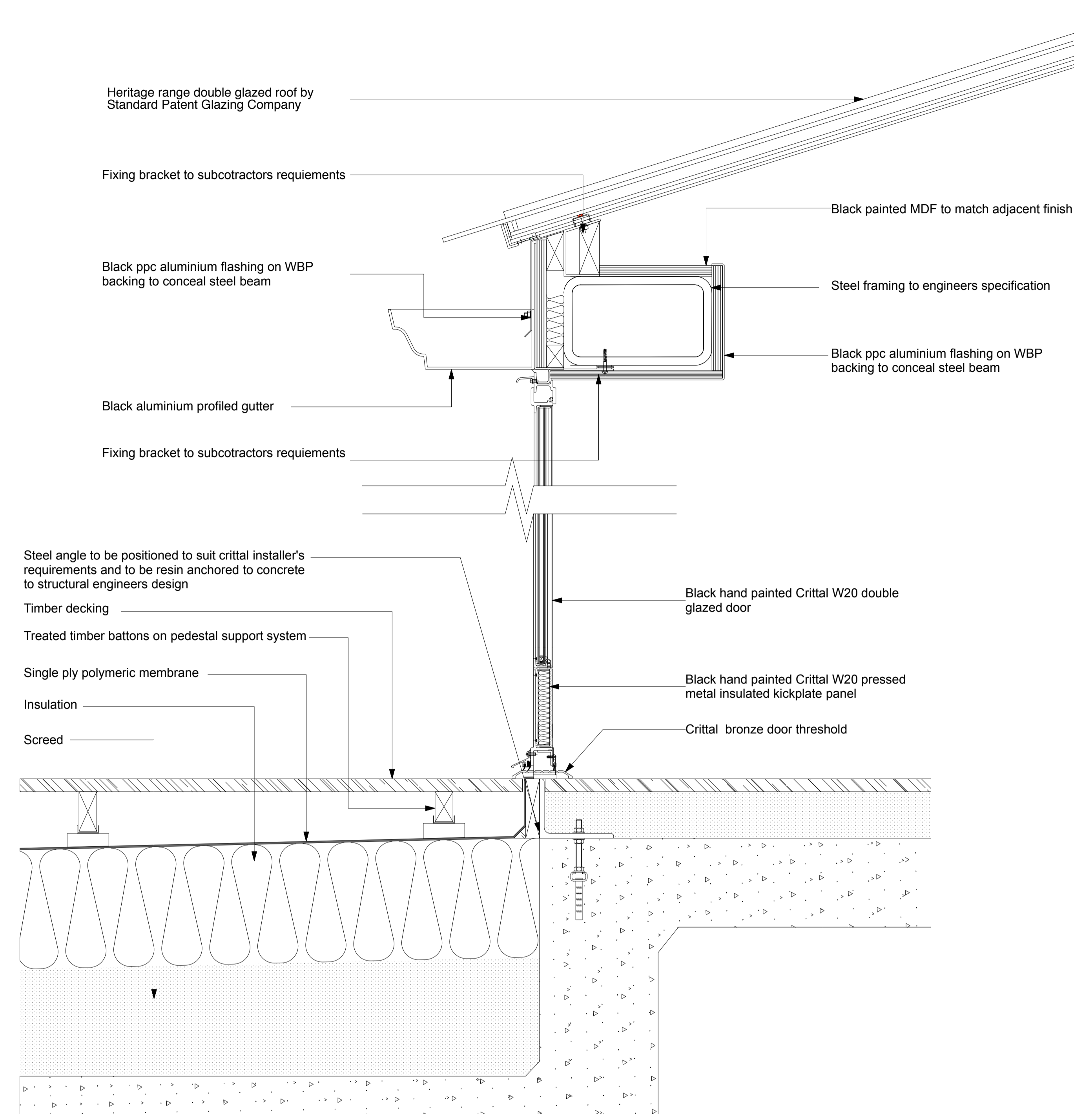


Copyright: All rights reserved. This drawing must not be reproduced without permission.  
 Only the original drawing should be relied upon. Contractors, subcontractors and suppliers must verify all dimensions on site before commencing any work or making any shop drawings.  
 All shop drawings to be submitted to the architect for comment prior to fabrication.  
 This drawing is to be read in conjunction with the Architect's specification, bills of quantities / schedules, structural, mechanical & electrical drawings and all discrepancies are to be reported to the architect.

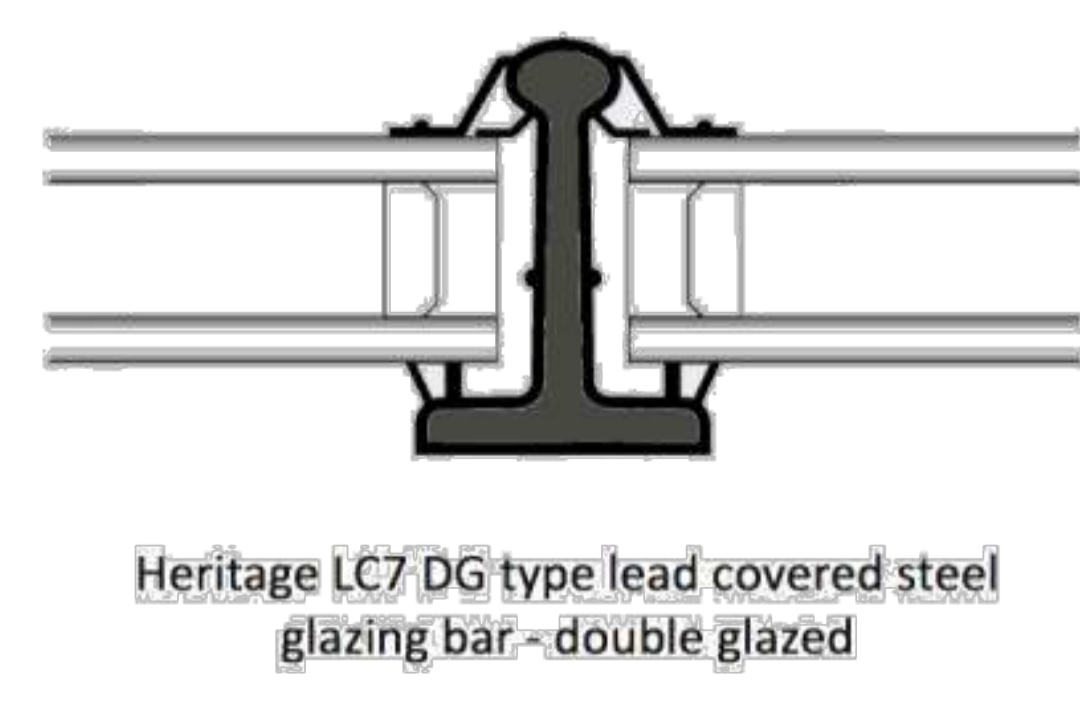
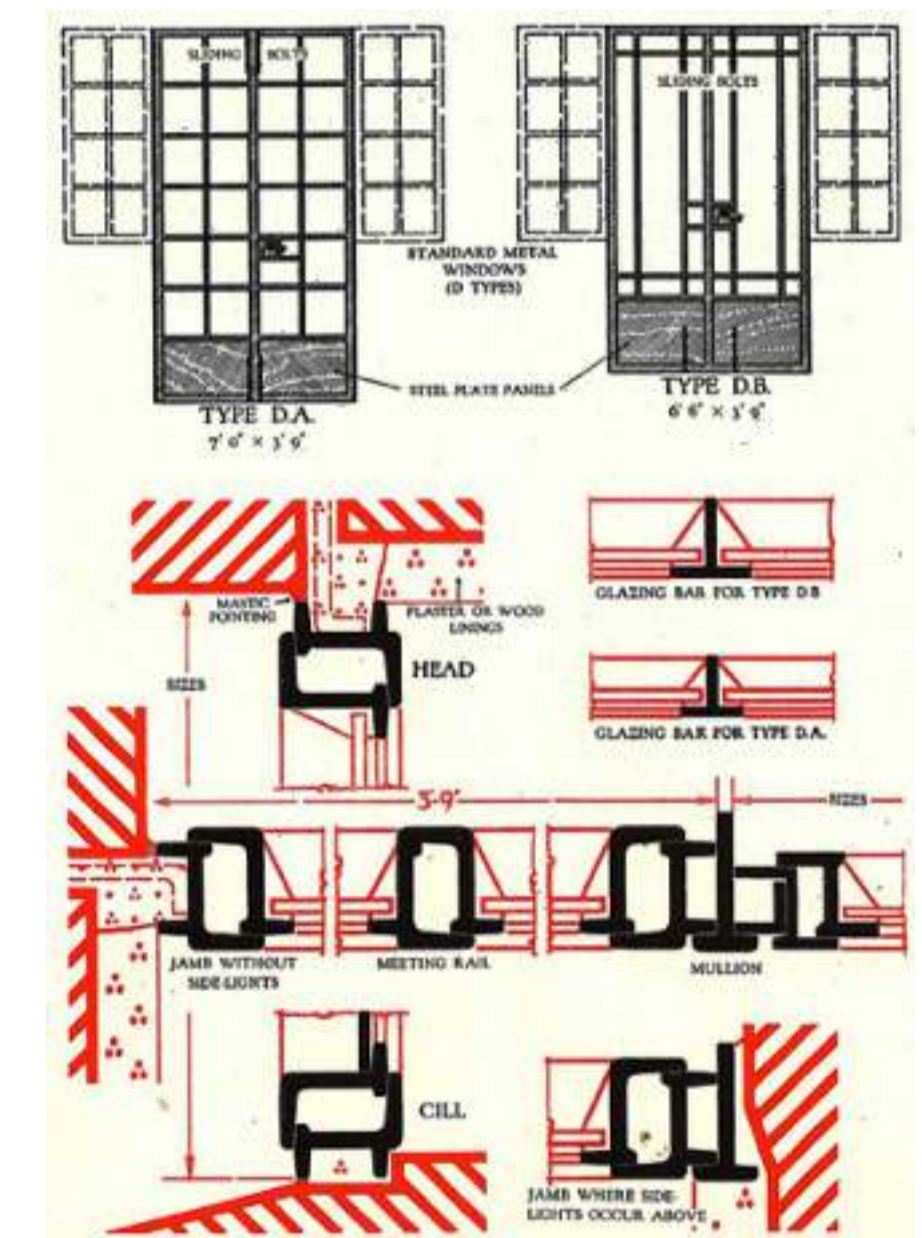
revision / date / amendments



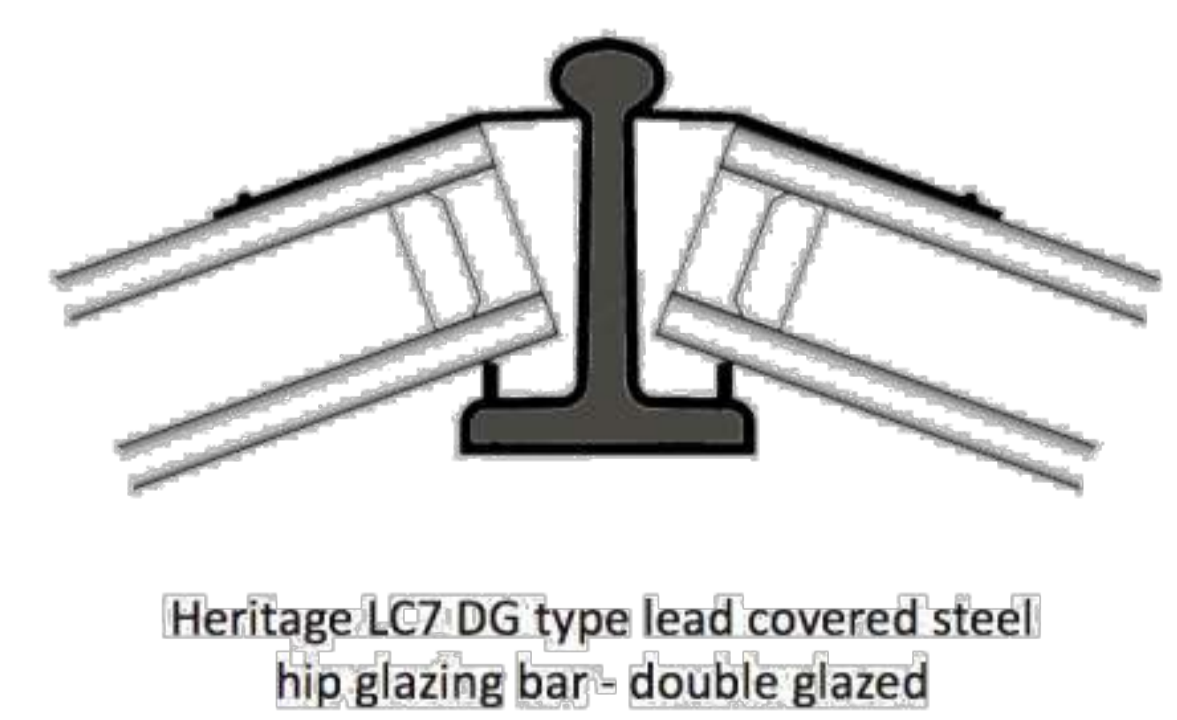
1 Detail A - from Section AA; Sky Lobby meets existing wall above proconium arch  
 Scale: 1:5



2 Detail B - from Section FF; Sky lobby wall/door, roof & floor  
 Scale: 1:5



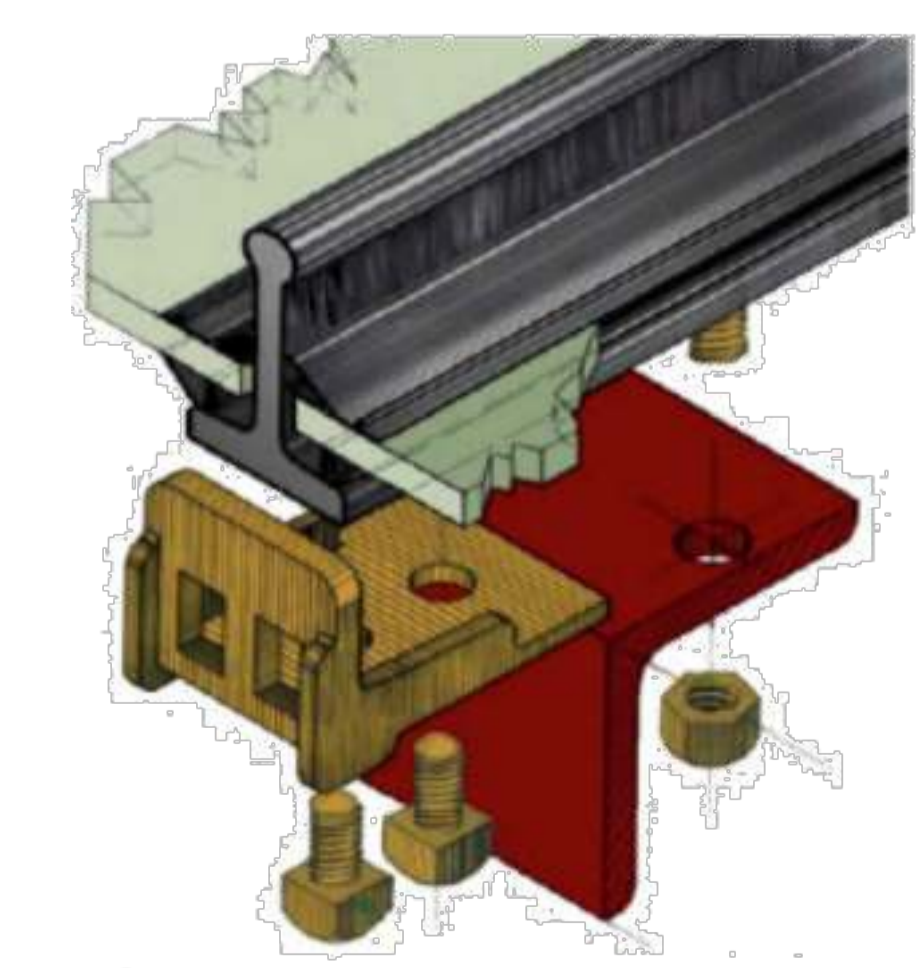
3 Standard Patent Glazing bar details



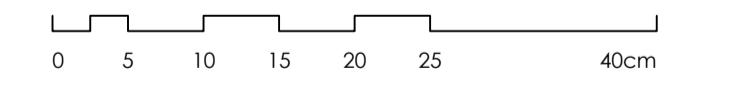
4 Standard Patent Glazing bar details



5 Standard Patent Glazing Image



6 Standard Patent Glazing exploded axonometric



For Information  
 Archer Humphries Architects  
 Basement  
 Central House  
 142 Central Street  
 London, United Kingdom  
 EC1V 8AR  
 T: +44 (0) 20 7251 8555

project title		KOKO + Hope & Anchor + Bayham Place Camden, London	
drawing title	scale	date	
Sky Lobby Glazing Details	1:5 @A1	06.12.16	
drawing number	drawn	checked	
AHA/ KKC /DET/530	EH	DA	
	revision		