

LEGEND:
AS ORIGINAL BRIEF
REVISED LOCATION
NEW INVESTIGATION
~~INVESTIGATION NOT REQUIRED~~
INVESTIGATION REFERENCE

Notes

THIS SURVEY HAS BEEN PREPARED WITH A SCALING ACCURACY FOR A PLOT AT A SCALE OF 1/100

ALL LEVELS ARE IN METRES DERIVED FROM GPS TRANSFORMATION OSGM02

THE CO-ORDINATES ARE DERIVED FROM THE ORDNANCE SURVEY ACTIVE STATION NETWORK OSTM02 (BASE STATION ST02)

ALL TREE HEIGHTS AND SPREADS ARE APPROXIMATE

WE HAVE TRIED TO IDENTIFY TREE TYPES, HOWEVER IF TREE SPECIES ARE CRITICAL SPECIALIST ADVICE SHOULD BE GAINED.

DRAINAGE PIPE SIZES HAVE BEEN MEASURED FROM THE SURFACE, CHAMBER ACCESS HAS NOT BEEN GAINED FOR SAFETY REASONS, THEREFORE SIZES SHOULD BE REGARDED AS APPROXIMATE

bl bed level
 cl cover level
 il invert level
 uti traffic control
 utl unable to lift
 wl water level
 sh sill to head height
 fs floor to sill height
 u/s underside height
 t/s topside height
 fb floorboard direction
 conc concrete

~~2. REMOVE FINISHES AND CONFIRM CONSTRUCTION (STAIRS)~~

~~2. REMOVE FINISHES AND CONFIRM FLOOR CONSTRUCTION AND CONDITION (GALLERY). (2x LOCATIONS)~~

2. REMOVE FINISHES AND CONFIRM FLOOR CONSTRUCTION AND CONDITION. (2x LOCATIONS)

2. REMOVE FINISHES TO EXPOSE BEAMS AND COLUMNS. (3x LOCATIONS)

2. REMOVE FINISHES AND CONFIRM CONSTRUCTION AND CONDITION (WALL)

2. REMOVE FINISHES AND CONFIRM CONSTRUCTION AND CONDITION (WALL)

~~2. REMOVE FINISHES AND CONFIRM CONSTRUCTION (STAIRS)~~

~~2. REMOVE FINISHES AND CONFIRM FLOOR CONSTRUCTION AND CONDITION (GALLERY). (2x LOCATIONS)~~

REFER TO APPENDED SCHEDULE FOR FURTHER DETAILS OF INVESTIGATIONS AND SURVEYS

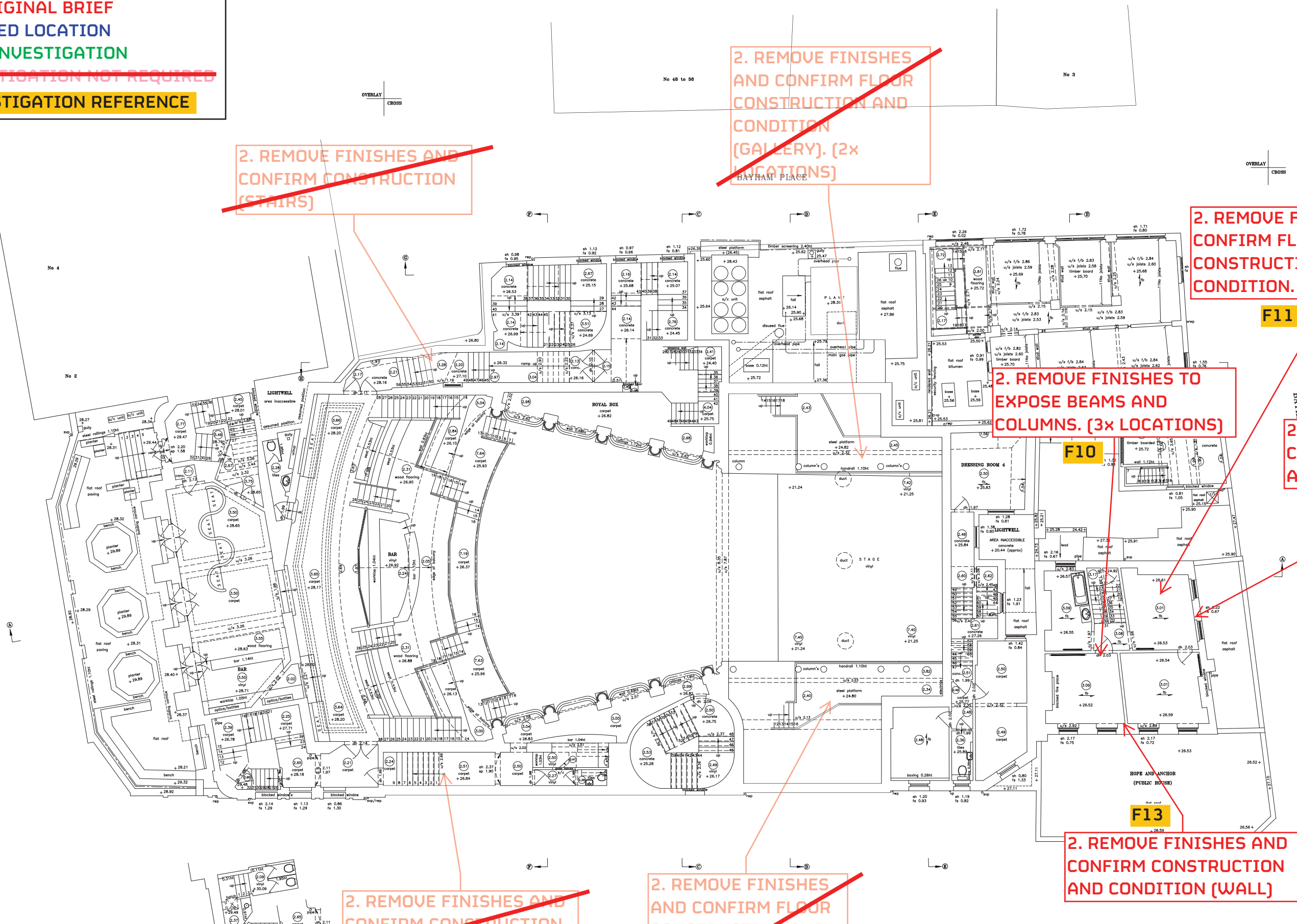
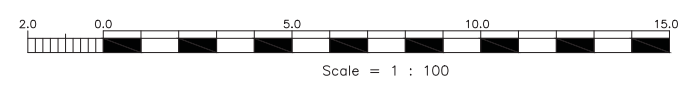
HEYNE TILLET STEEL
THE HOPE PROJECT
STRUCTURAL INVESTIGATIONS
FIRST FLOOR
1444 MJT 22/06/17 REV A

NOTE:
 R2= FLOOR PLANS EXTENDED 08/08/16

AEM/MJM © ON CENTRE SURVEYS LTD. 2016 ACAD

job	KOKO CAMDEN HIGH STREET LONDON NW1 7JE
client	BURKE HUNTER ADAMS LLP On Behalf Of VEVIL INTERNATIONAL LIMITED
title	FIRST FLOOR PLAN
scale	1/100
dwg no.	23745A-4-R2
date	JANUARY 2016

ON CENTRE SURVEYS LTD.
 LAND & BUILDING SURVEYORS
 GEODETIC ENGINEERS
 2 CHARLES COURT, BUDROOKE ROAD, WARWICK CV34 5LZ
 TEL: 01926 494294
 E-MAIL: info@oncentre.co.uk
 A member of The Survey Association



LEGEND:
AS ORIGINAL BRIEF
REVISED LOCATION
NEW INVESTIGATION
~~INVESTIGATION NOT REQUIRED~~
INVESTIGATION REFERENCE

~~2. REMOVE FINISHES AND CONFIRM SUPPORT TO EXISTING ROOF TRUSSES.~~

[2. REMOVE FINISHES AND CONFIRM CONSTRUCTION OF DOME FLOOR (HIGH LEVEL)]

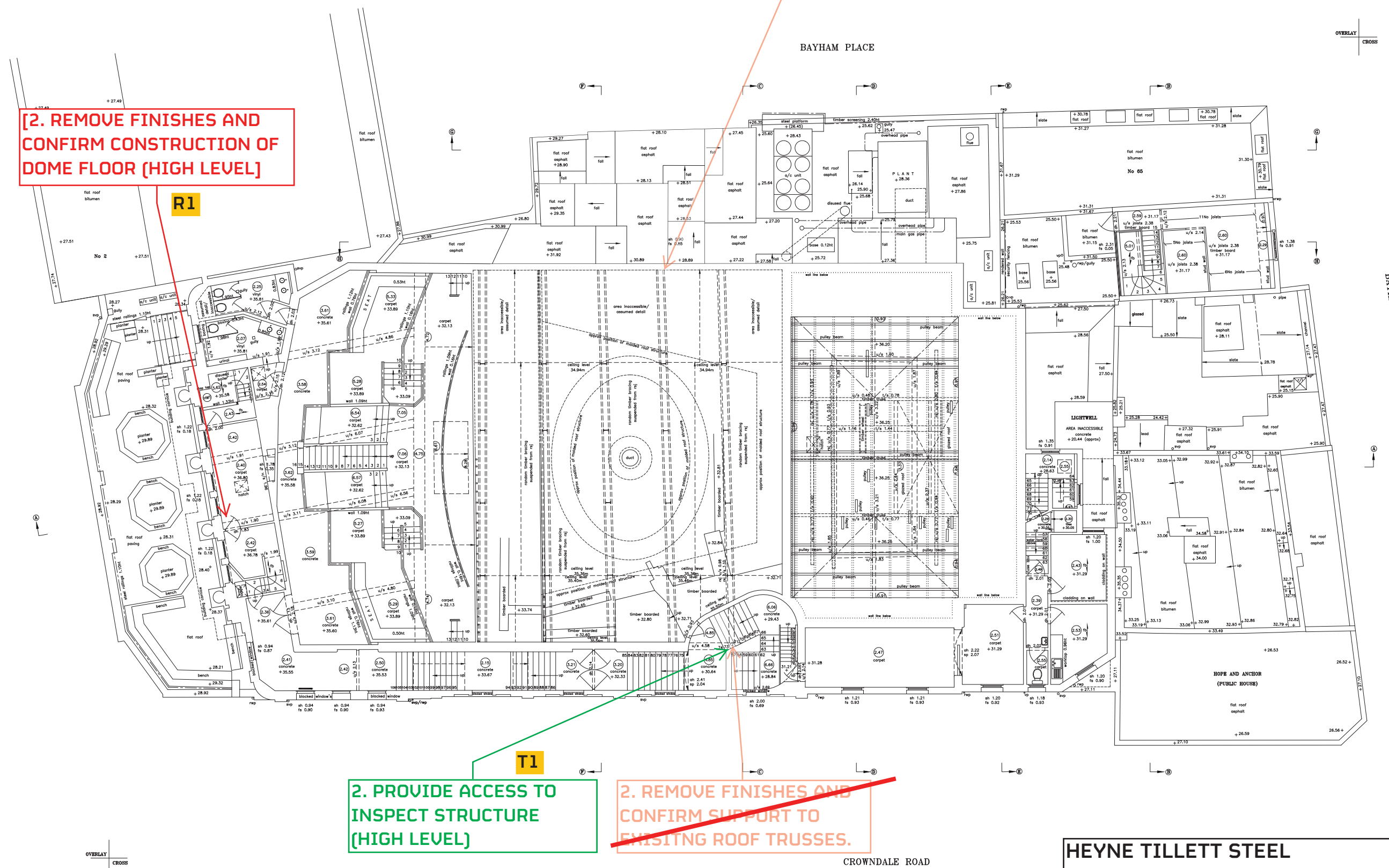
2. PROVIDE ACCESS TO INSPECT STRUCTURE (HIGH LEVEL)

~~2. REMOVE FINISHES AND CONFIRM SUPPORT TO EXISTING ROOF TRUSSES.~~

REFER TO APPENDED SCHEDULE FOR FURTHER DETAILS OF INVESTIGATIONS AND SURVEYS

Notes
 THIS SURVEY HAS BEEN PREPARED WITH A SCALING ACCURACY FOR A PLOT AT A SCALE OF 1/100
 ALL LEVELS ARE IN METRES DERIVED FROM GPS TRANSFORMATION OSGM02
 THE CO-ORDINATES ARE DERIVED FROM THE ORDNANCE SURVEY ACTIVE STATION NETWORK OSTM02 (BASE STATION ST02)
 ALL TREE HEIGHTS AND SPREADS ARE APPROXIMATE
 WE HAVE TRIED TO IDENTIFY TREE TYPES, HOWEVER IF TREE SPECIES ARE CRITICAL SPECIALIST ADVICE SHOULD BE GAINED.
 DRAINAGE PIPE SIZES HAVE BEEN MEASURED FROM THE SURFACE, CHAMBER ACCESS HAS NOT BEEN GAINED FOR SAFETY REASONS, THEREFORE SIZES SHOULD BE REGARDED AS APPROXIMATE

- bl bed level
- cl cover level
- il invert level
- tl traffic control
- uti unable to lift
- wl water level
- sh sill to head height
- fs floor to sill height
- u/s underside height
- t/s topside height
- fb floorboard direction
- conc concrete
- rl roof light
- cup'd cupboard
- fp fireplace
- sd sliding door
- svp soil and vent pipe
- rwp rain water pipe
- carpet
- 3.17 room height
- roof slope
- radiator



OVERLAY CROSS

OVERLAY CROSS

BAYHAM STREET

BAYHAM PLACE

CROWDALE ROAD

NOTE:
 R2= FLOOR PLANS EXTENDED 08/08/16

AEM/MJM © ON CENTRE SURVEYS LTD. 2016 ACAD

job
**KOKO
 CAMDEN HIGH STREET
 LONDON
 NW1 7JE**

client
**BURKE HUNTER ADAMS LLP
 On Behalf Of
 VEVIL INTERNATIONAL LIMITED**

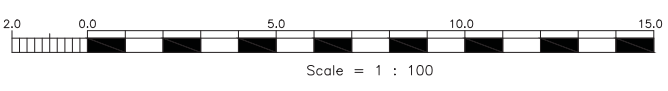
title
 THIRD FLOOR PLAN

dwg no.
 23745A-6-R2

scale
 1/100

date
 JANUARY 2016

**HEYNE TILLET STEEL
 THE HOPE PROJECT
 STRUCTURAL INVESTIGATIONS
 THIRD FLOOR
 1444 MJT 26/06/17 REV B**



LEGEND:
AS ORIGINAL BRIEF
REVISED LOCATION
NEW INVESTIGATION
~~INVESTIGATION NOT REQUIRED~~
INVESTIGATION REFERENCE

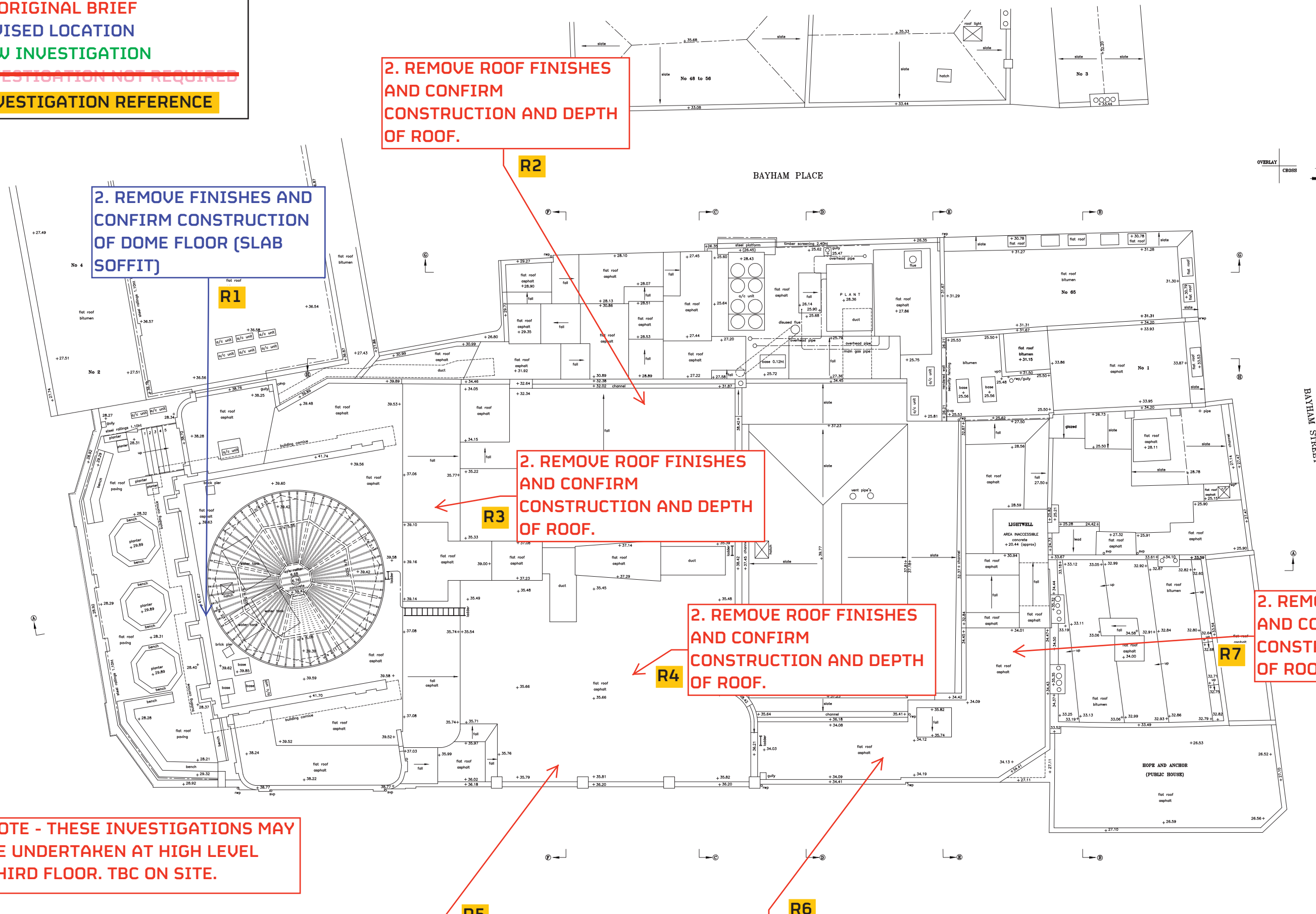
Notes

THIS SURVEY HAS BEEN PREPARED WITH A SCALING ACCURACY FOR A PLOT AT A SCALE OF 1/100

ALL LEVELS ARE IN METRES DERIVED FROM GPS TRANSFORMATION OSGM02

THE CO-ORDINATES ARE DERIVED FROM THE ORDNANCE SURVEY ACTIVE STATION NETWORK OSTM02 (BASE STATION ST02)

- sh sill to head height
- fs floor to sill height
- u/s underside height
- t/s topside height
- fb floorboard direction
- conc concrete
- ri roof light
- cup'd cupboard
- fp fireplace
- sd sliding door
- swp soil and vent pipe
- rwp rain water pipe
- carpet
- 3.17 room height
- roof slope
- radiator



2. REMOVE ROOF FINISHES AND CONFIRM CONSTRUCTION AND DEPTH OF ROOF.

2. REMOVE FINISHES AND CONFIRM CONSTRUCTION OF DOME FLOOR (SLAB SOFFIT)

2. REMOVE ROOF FINISHES AND CONFIRM CONSTRUCTION AND DEPTH OF ROOF.

2. REMOVE ROOF FINISHES AND CONFIRM CONSTRUCTION AND DEPTH OF ROOF.

2. REMOVE ROOF FINISHES AND CONFIRM CONSTRUCTION AND DEPTH OF ROOF.

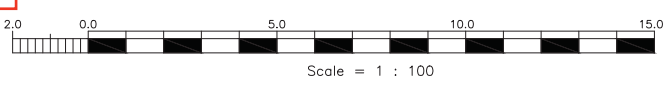
2. REMOVE ROOF FINISHES AND CONFIRM CONSTRUCTION AND DEPTH OF ROOF.

2. REMOVE ROOF FINISHES AND CONFIRM CONSTRUCTION AND DEPTH OF ROOF.

NOTE - THESE INVESTIGATIONS MAY BE UNDERTAKEN AT HIGH LEVEL THIRD FLOOR. TBC ON SITE.

REFER TO APPENDED SCHEDULE FOR FURTHER DETAILS OF INVESTIGATIONS AND SURVEYS

HEYNE TILLET STEEL
THE HOPE PROJECT
STRUCTURAL INVESTIGATIONS
FOURTH FLOOR
1444 MJT 26/06/17 REV B



NOTE: R2= FLOOR PLANS EXTENDED 08/08/16

AEM/MJM © ON CENTRE SURVEYS LTD. 2016 ACAD

job
KOKO
CAMDEN HIGH STREET
LONDON
NW1 7JE

client
BURKE HUNTER ADAMS LLP
On Behalf Of
VEVIL INTERNATIONAL LIMITED

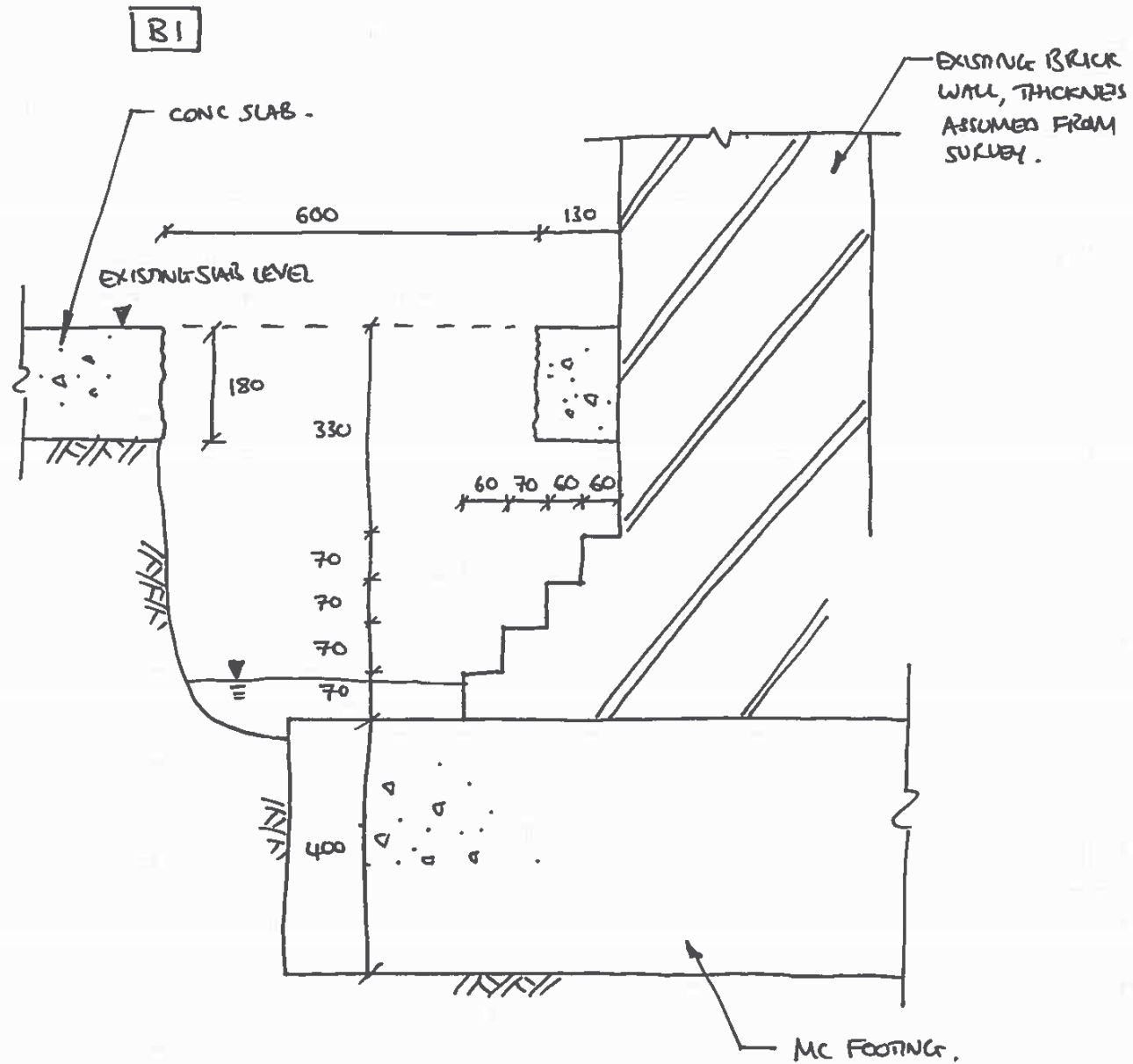
title
FOURTH FLOOR PLAN

dwg no.
23745A-7-R2

scale
1/100

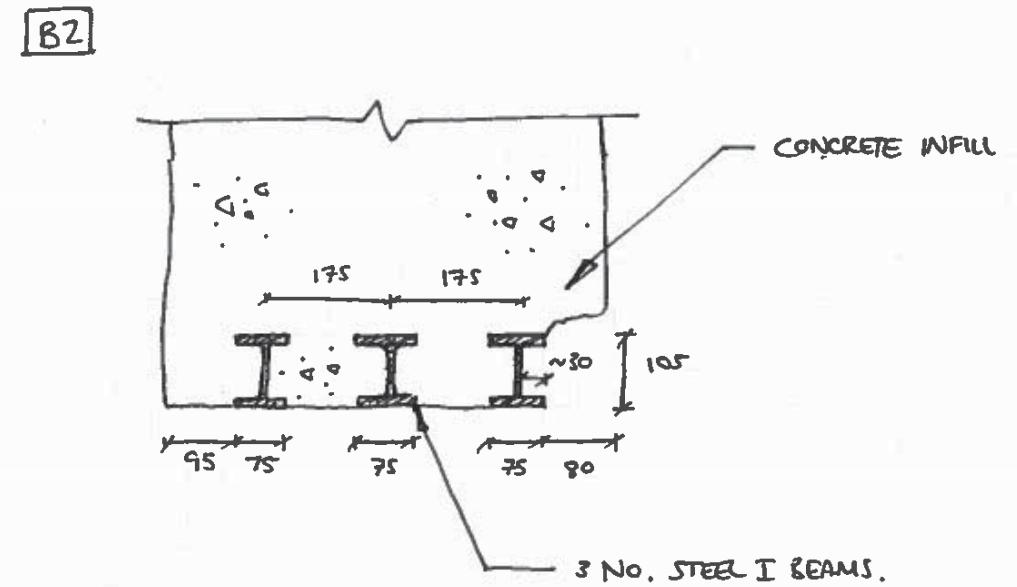
date
JANUARY 2016

ON CENTRE SURVEYS LTD.
 LAND & BUILDING SURVEYORS
 GEODETIC ENGINEERS
 2 CHARLES COURT, BUDROOKE ROAD, WARWICK CV34 5JZ
 TEL: 01926 494294
 E-MAIL: info@oncentre.co.uk
 A member of The Survey Association



NOTE: THICKNESS OF FOOTING WAS DETERMINED BY DRILLING, NOT EXPLICITLY OBSERVED. WATER HAD TO BE PUMPED OUT DURING INVESTIGATION.

KOKO TRIAL PIT (B1)
1:10 @ A4.



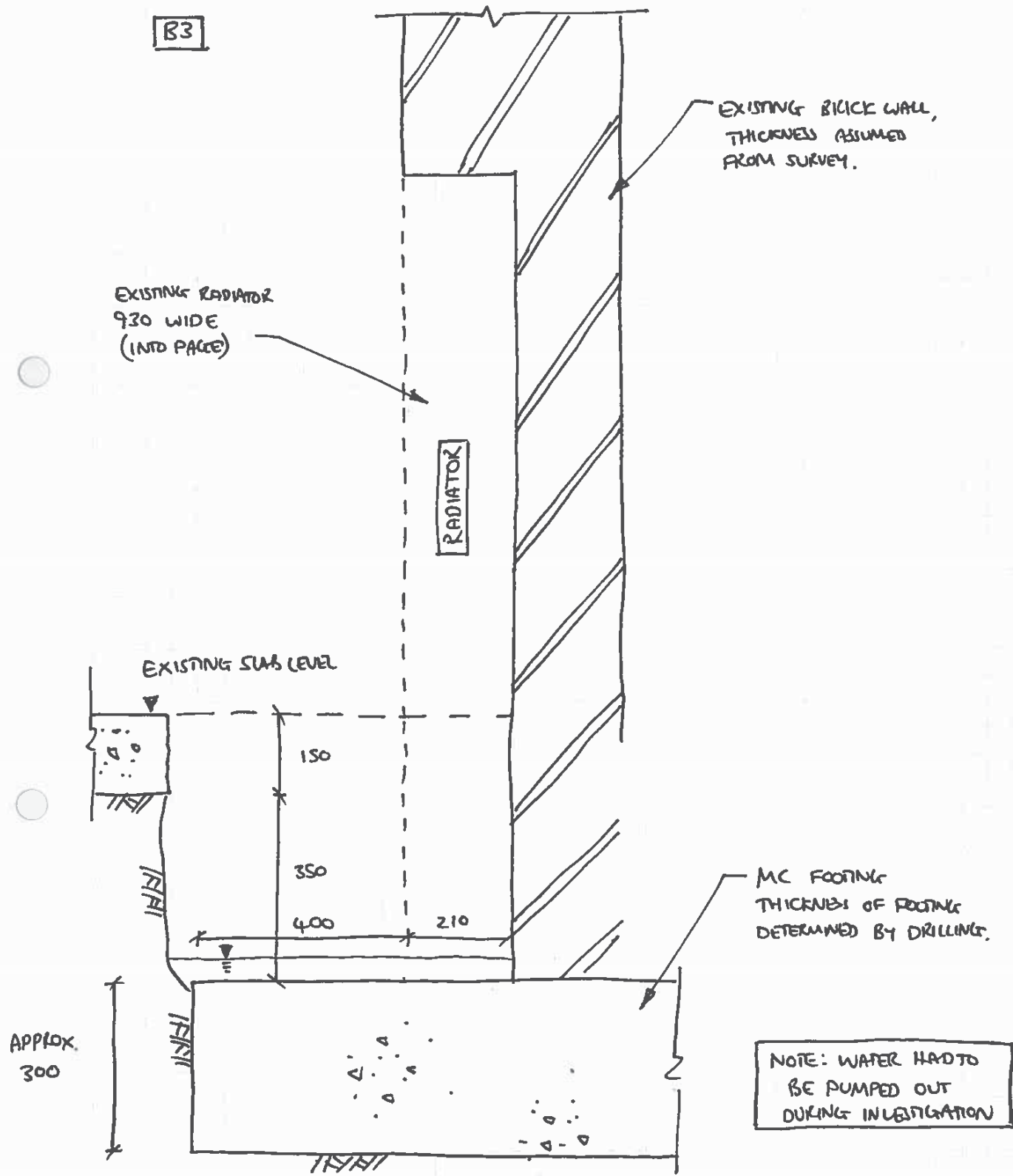
LIKELY BEAM SIZE: BSB4
(4x3" i.e. 102x76)

BASEMENT LINTEL (HIGH LEVEL)
1:10 @ A4.

Job THE HOPE PROJECT Date 04/09/17
 Title KOKO TRIAL PIT RESULTS Eng. AG
 Job No. 1444 Sheet SK087 Rev. 1



B3

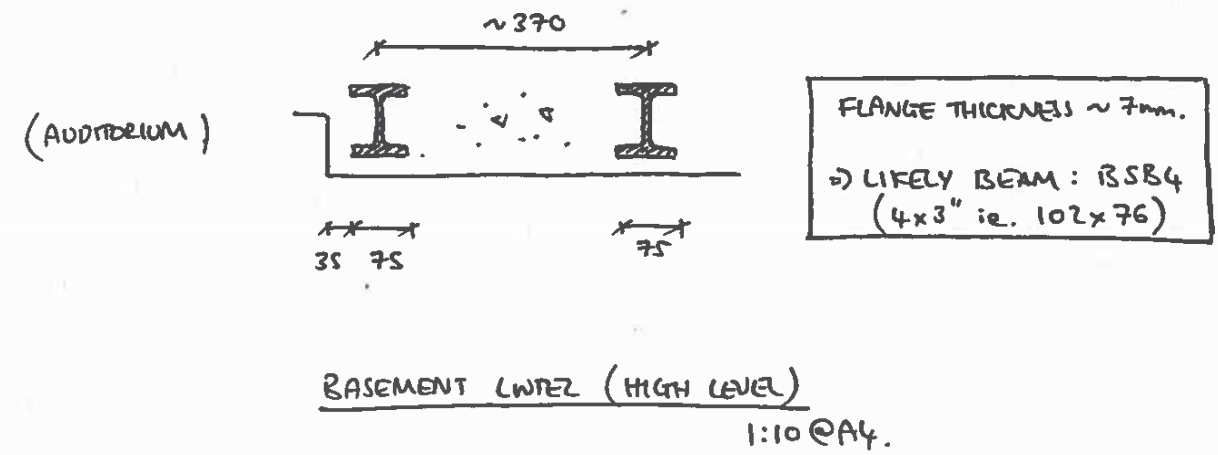


KOKO TRIAL PIT (B3)
 1:10 @ A4.

Job THE HOPE PROJECT Date 04/09/17
 Title KOKO BASEMENT INVESTIGATIONS Eng. ACa
 Job No. 1444 Sheet SK088 Rev. 1



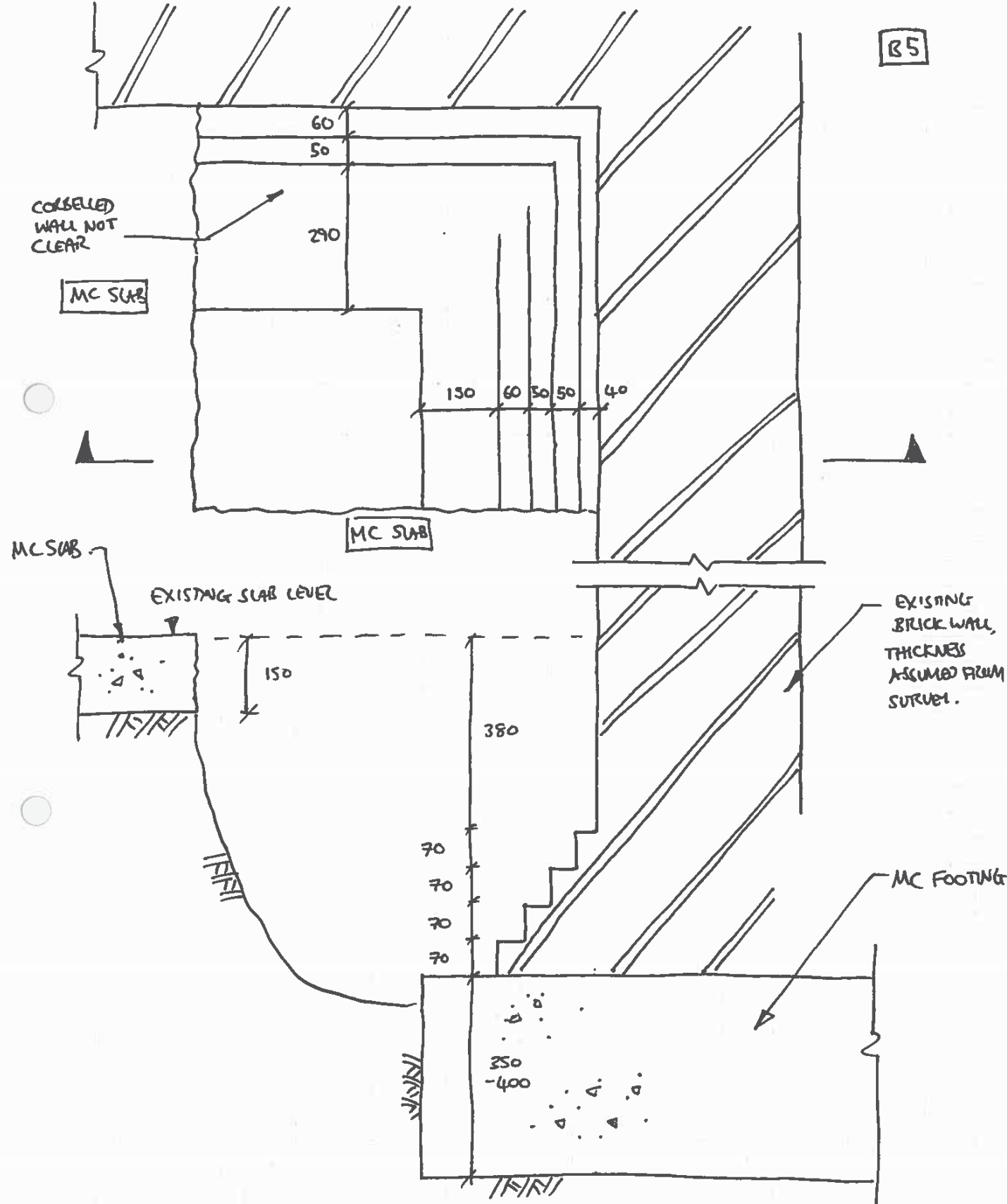
B4



Job THE HOPE PROJECT Date 04/29/17
 Title KOKO TRIAL PIT RESULTS Eng. ACa
 Job No. 1444 Sheet SK089 Rev. 1

HEYNE
 TILLET
 STEEL

B5

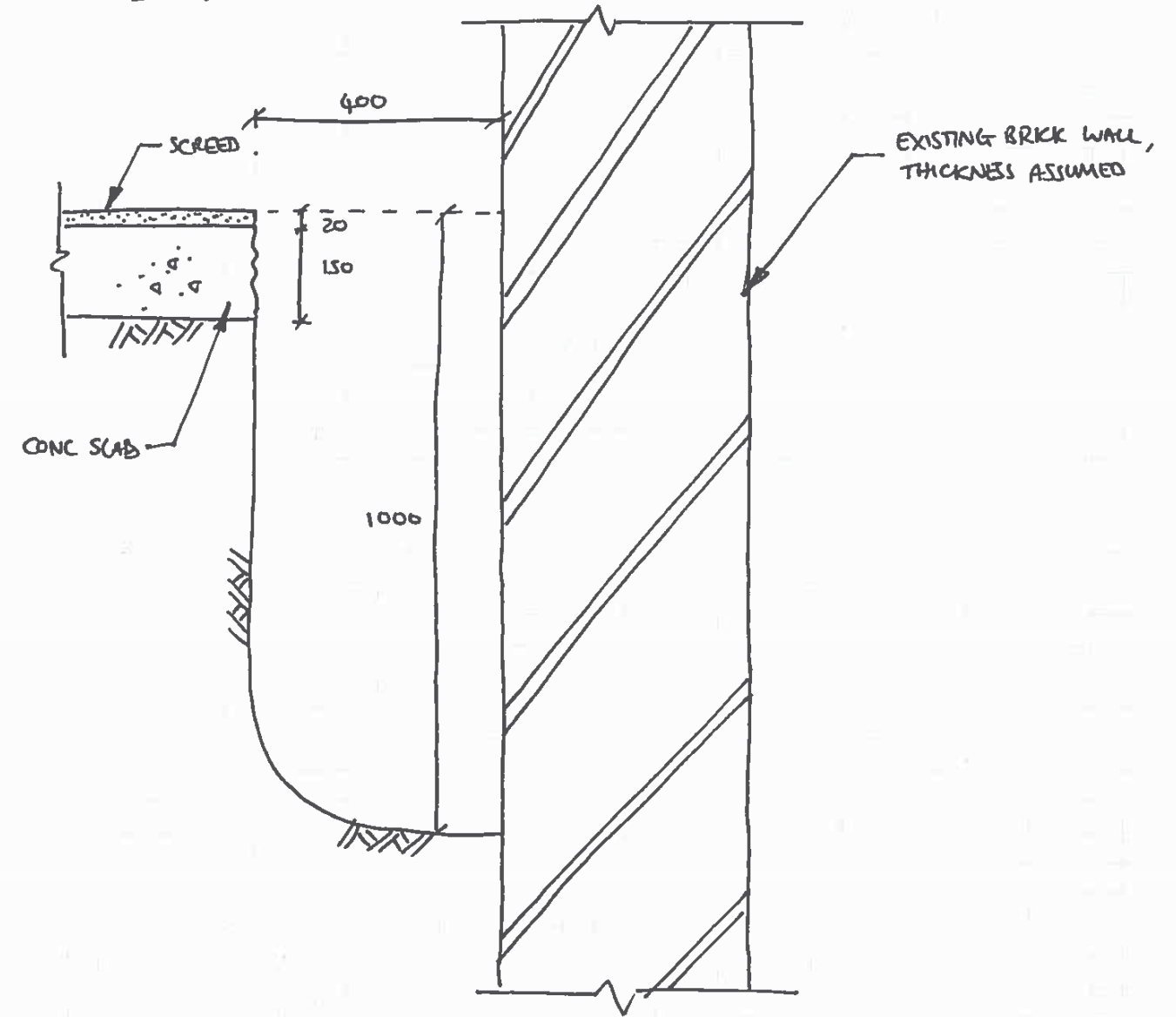


KOKO TRIAL PIT (B5)
 1:10 @ A4.

Job THE HOPE PROJECT Date 04/29/17
 Title KOKO TRIAL PIT RESULTS Eng. ACa
 Job No. 1444 Sheet SK090 Rev. 1

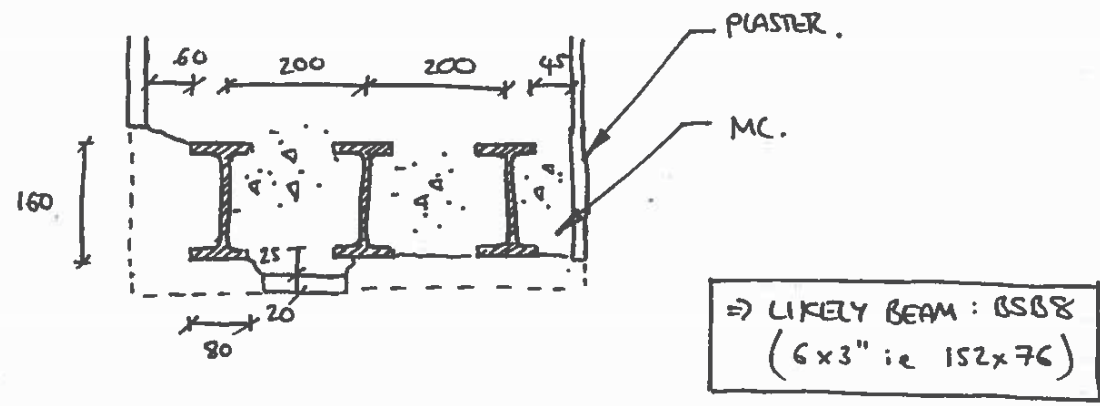
HEYNE
 TILLET
 STEEL

B10



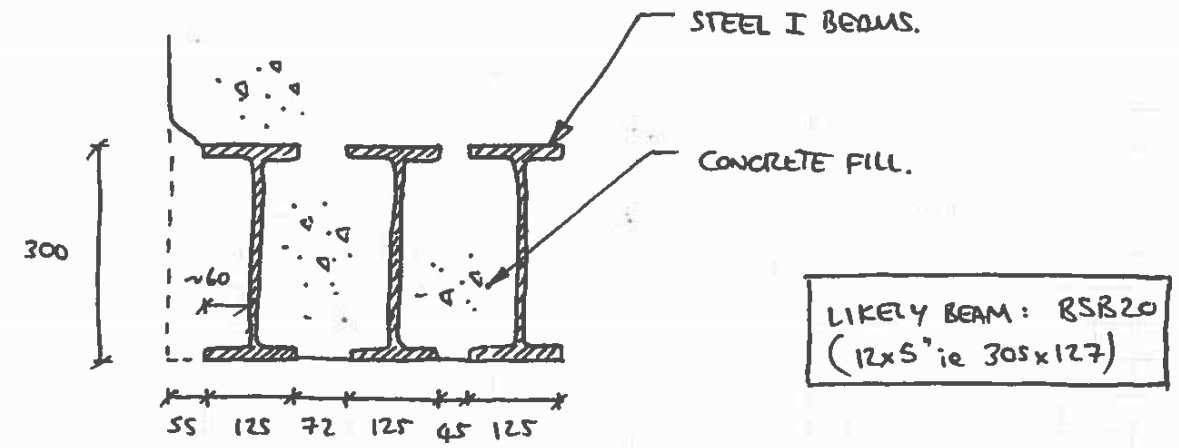
KOKO TRIAL PIT (B10)
 1:10 @ A4.

B19



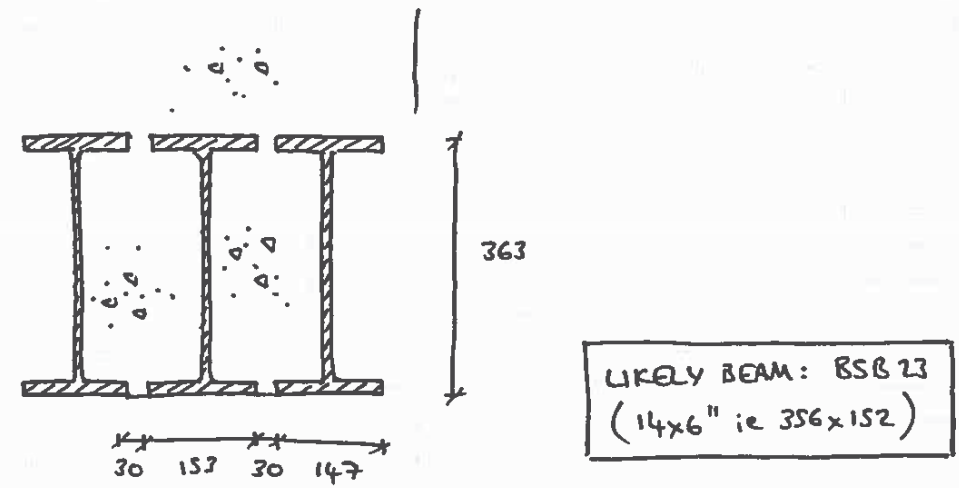
BASEMENT LINTEL (HIGH LEVEL)
1:10 @ A4

G1



GROUND FLOOR LINTEL - G1 (HIGH LEVEL)
1:10 @ A4

G9

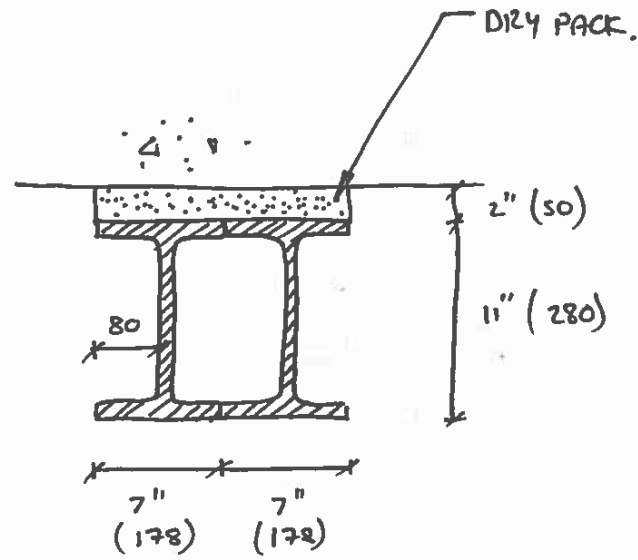


GROUND FLOOR LINTEL - G9 (HIGH LEVEL)
1:10 @ A4

Job THE HOPE PROJECT Date 04/09/17
 Title KOKO THIRD FLOOR INVESTIGATIONS Eng. ACa
 Job No. 1444 Sheet SK073. Rev. 1



T1



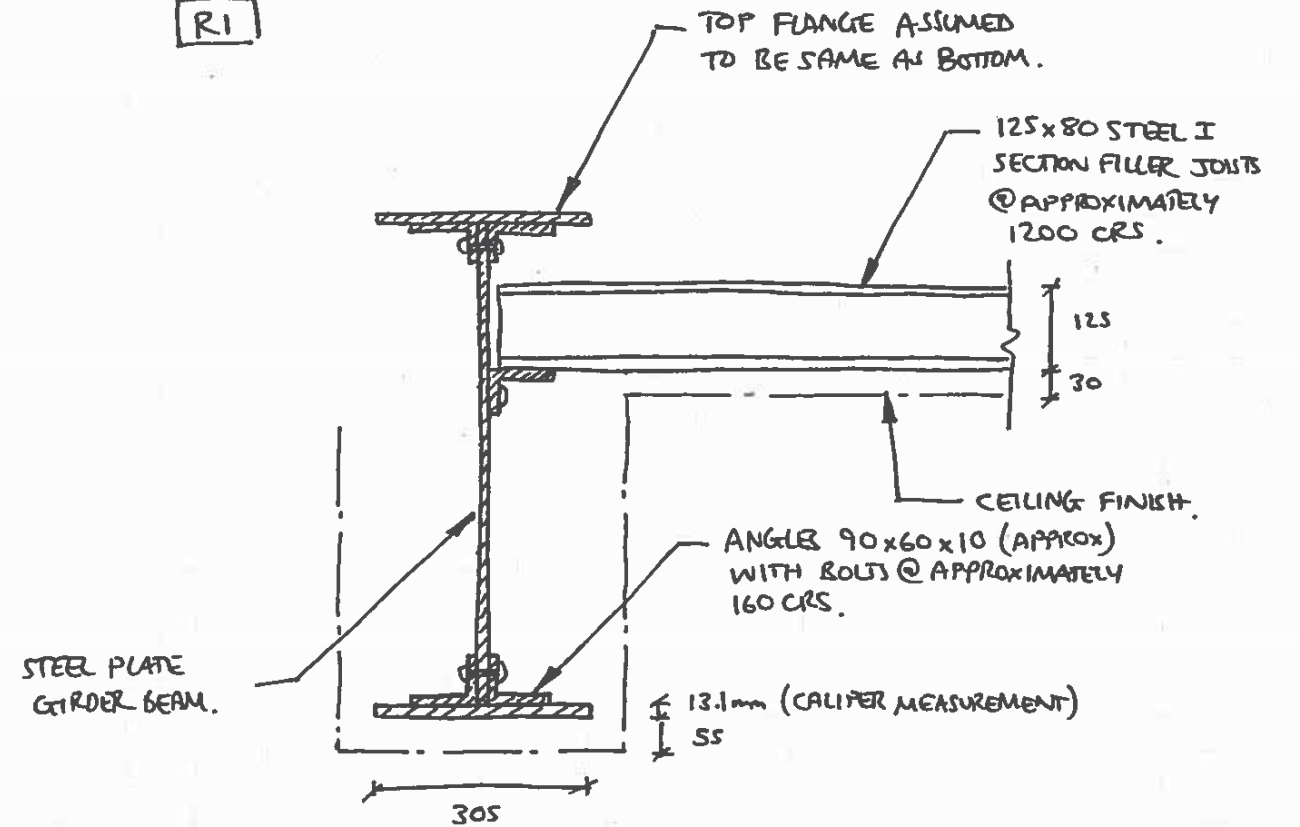
FLANGE THICKNESS
 ~ 15.5 - 17.2mm.

THIRD FLOOR BEAM (T1)
 1:10 @ A4

Job THE HOPE PROJECT Date 04/09/17
 Title KOKO ROOF INVESTIGATIONS Eng. ACa
 Job No. 1444 Sheet SK094 Rev. 1



R1



ROOF BEAM (R1)
 1:10 @ A4

