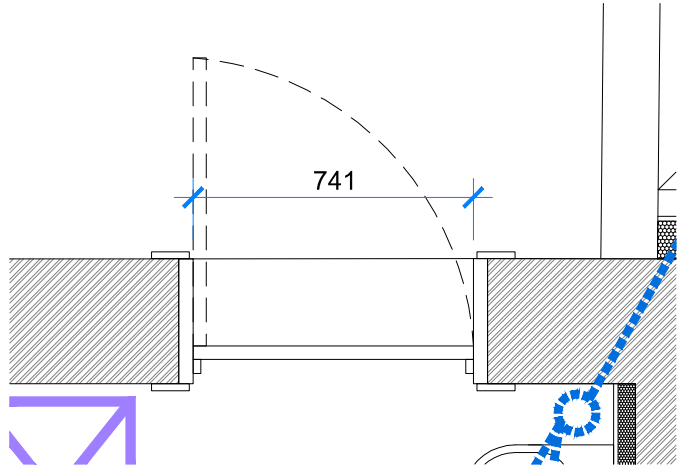
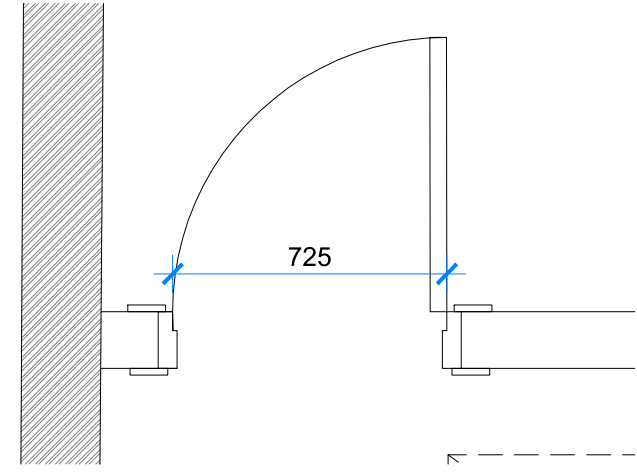
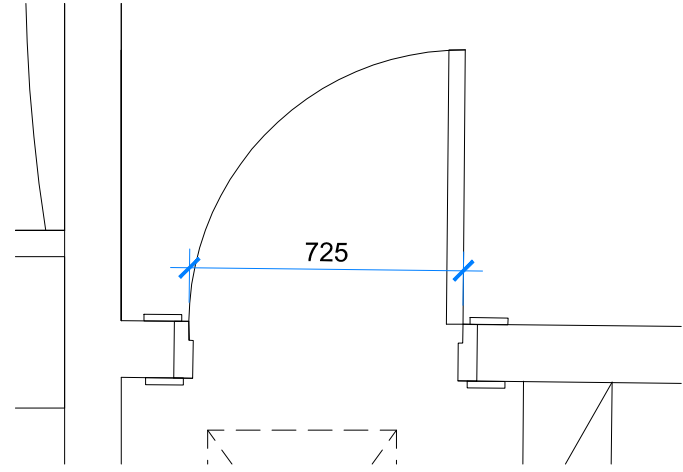
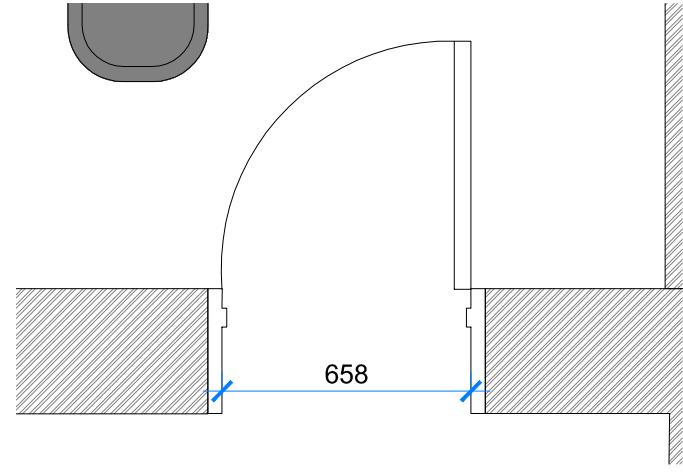


Room&Door Number		2.04 D1		Room&Door Number		3.01 D1		Room&Door Number		3.02 D1		Room&Door Number		3.03 D1	
															
Door Leaf Size	741MM X 2040MM (indicative) <i>Only Making Good</i>	Door Leaf Size	725MM X 2040MM (indicative) <i>Only Making Good</i>	Door Leaf Size	725MM X 2040MM (indicative) <i>Only Making Good</i>	Door Leaf Size	725MM X 2040MM (indicative) <i>Only Making Good</i>	Door Leaf Size	658MM X 2040MM <i>Only Making Good</i>						
FIRE RATING	n/a	FIRE RATING	FD30	FIRE RATING	FD30	FIRE RATING	FD30	FIRE RATING	n/a						
NOTE	WC door - Thumb turn required	NOTE		NOTE		NOTE		NOTE	WC door - Thumb turn required						



A-ZERO

ARCHITECTURE | ENVIRONMENT

BABEL STUDIOS,
82 SOUTHWARK BRIDGE ROAD
LONDON SE1 0AS, UK

t. +44 207 7012664
e. info@a-zero.co.uk
w. www.a-zero.co.uk

RIBA 
Chartered Practice

Figured dimensions must be taken in preference to scaled dimensions and any discrepancies or errors are to be referred to the designers. Contractors, sub-contractors, and suppliers must verify all dimensions on site before commencing any work or production of shop drawings.

© Copyright: This drawing or design may not be reproduced without permission.

WORKSTAGE : **PLANNING**

00	-	00.00.00

PROJECT	ST PANCRAS WAY		
DRAWING	502_Internal Window&Door Schedule		
DATE	OCT'17	Rev. no: Condition Discharge	
SCALE	1:20 @ A3	Drawn by: SS	Check: GB