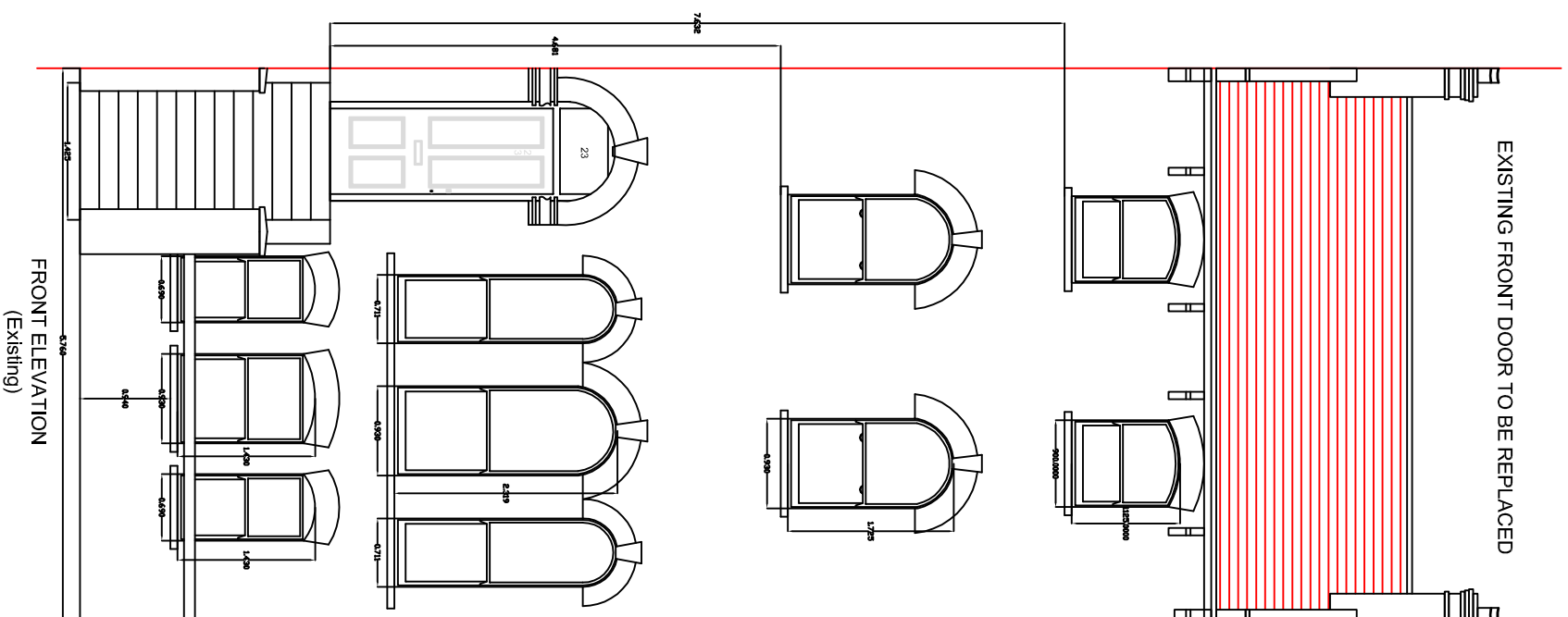
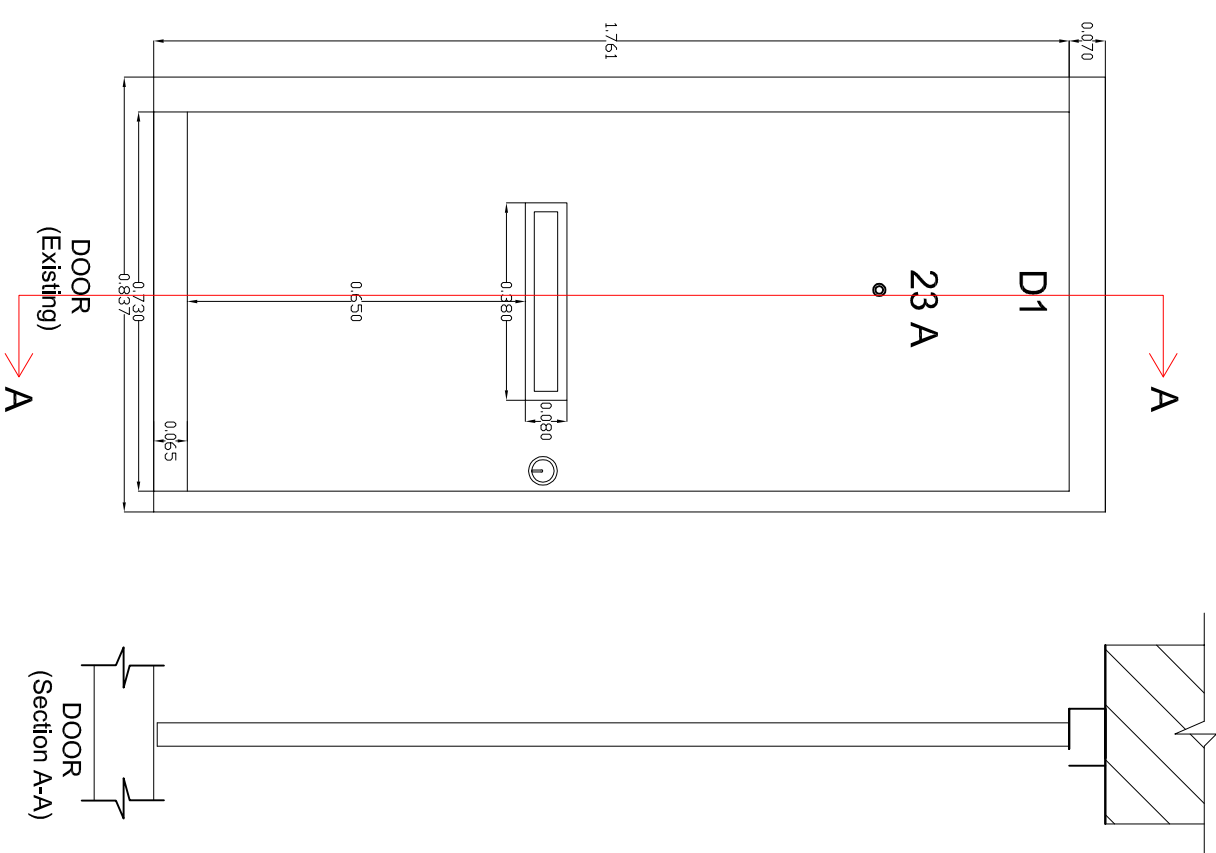
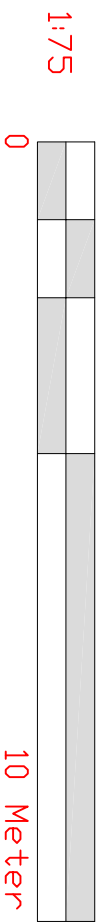


Notes:
 Entrance door to Flat A is on the side of the entrance steps.

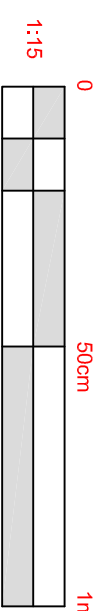


EXISTING ENTRANCE DOOR ON SIDE OF STEPS (BASEMENT FLAT A) TO BE REPLACED

FRONT ELEVATION (Existing)



DOOR (Section A-A)



WALKER MANAGEMENT

EMPLOYER'S AGENTS & PROJECT MANAGERS

LION HOUSE, 242 BALLARDS LANE

LONDON N12 0EP

TEL: 020 8446 5537

E-MAIL: INFO@WALKERMANAGEMENT.CO.UK

TITLE
 EXISTING ELEVATIONS WITH
 DOOR DETAILING & SECTION

PROJECT
 23A North Villas

CLIENT
 CIRCLE 33 HOUSING / KIER

SCALE: AS IDENTIFIED

CAD FILE: -

DATE: 16.10.17

DRAWN BY: SRB

CHECKED:

PROJECT NO. 3563

DRAWING NO. 3563/MM/01

REVISION 0