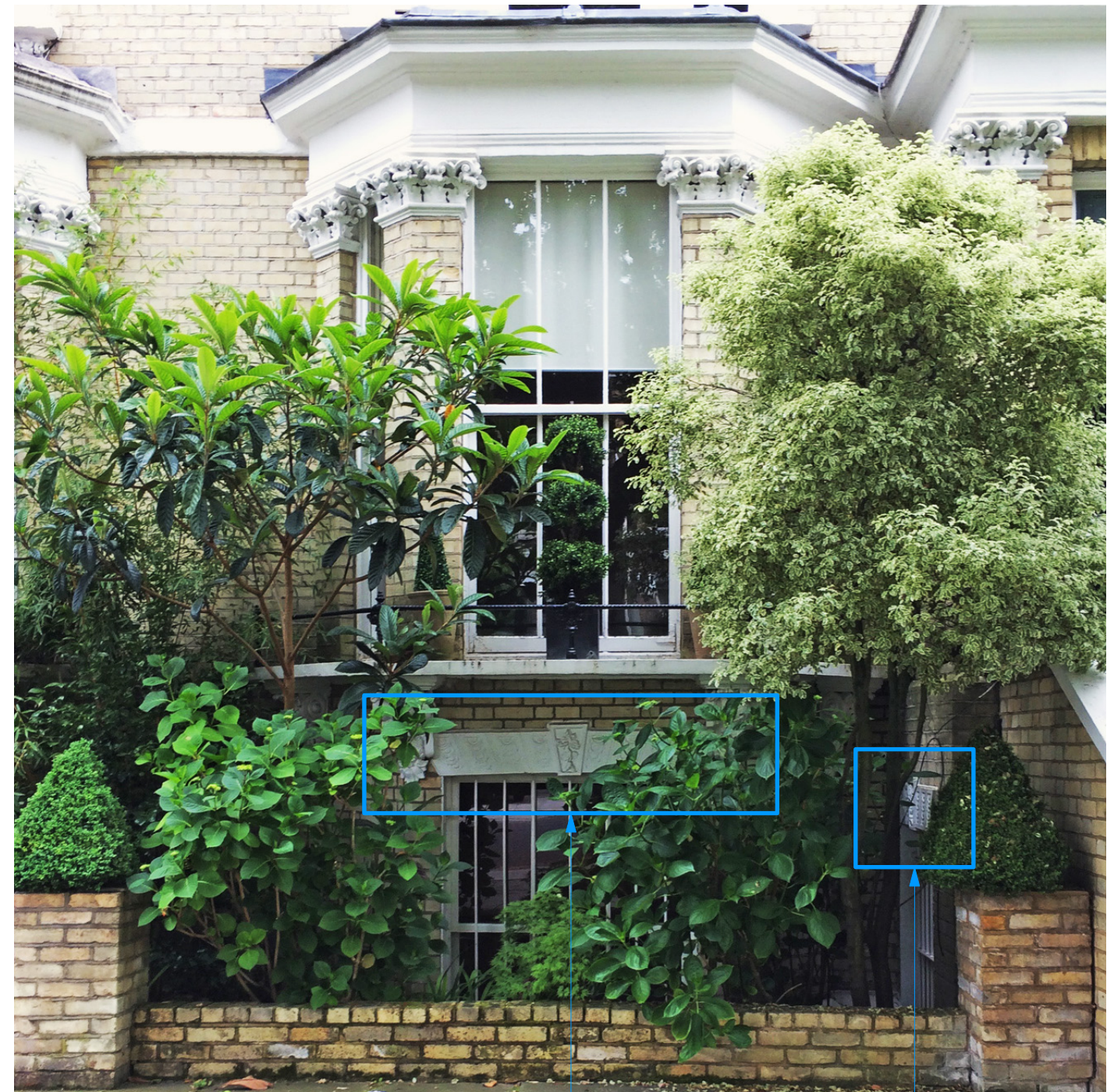


elevation 1:20



existing window with lintel

existing window with lintel

NOTES:

> Structural work as per Structural Engineer's drawings + specification

JOHANNA MOLINEUS ARCHITECTS

22 GREAT CHAPEL STREET
LONDON W1F 8FR
0207 734 8320
info@johannamolineus.com

© 2017 Johanna Molineus Architects Ltd

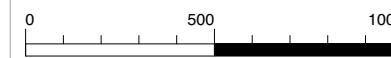
Do not scale dimensions from drawing.
Check all dimensions on site prior to commencement of work.
Do not copy or use this drawing without written consent.
Issue or publication does not convey or imply grant of licence.
If the drawing exceeds the quantities in any way the architects are to be informed before work is commenced.
Drawing to be read in conjunction with structural engineer's drawings and specification.

revisions

_171020: planning issue

scale

1:20
@A3



Millimeters (mm)

drawn / checked by

EC / JM

issue

Planning

date

Oct 17

revision

project

11 Steele's Road
Belsize Park
London, NW3 4SE
client

Jonathan Kandel &
Miri Freud-Kandel

drawing title

Window Type 1 Detail

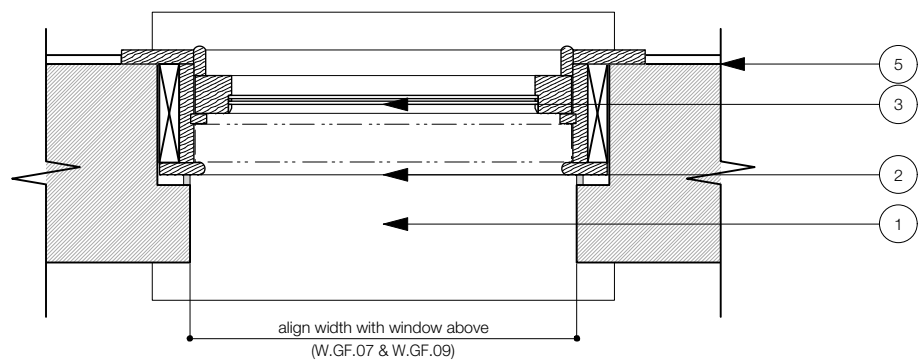
drawing no.

258.11
-900

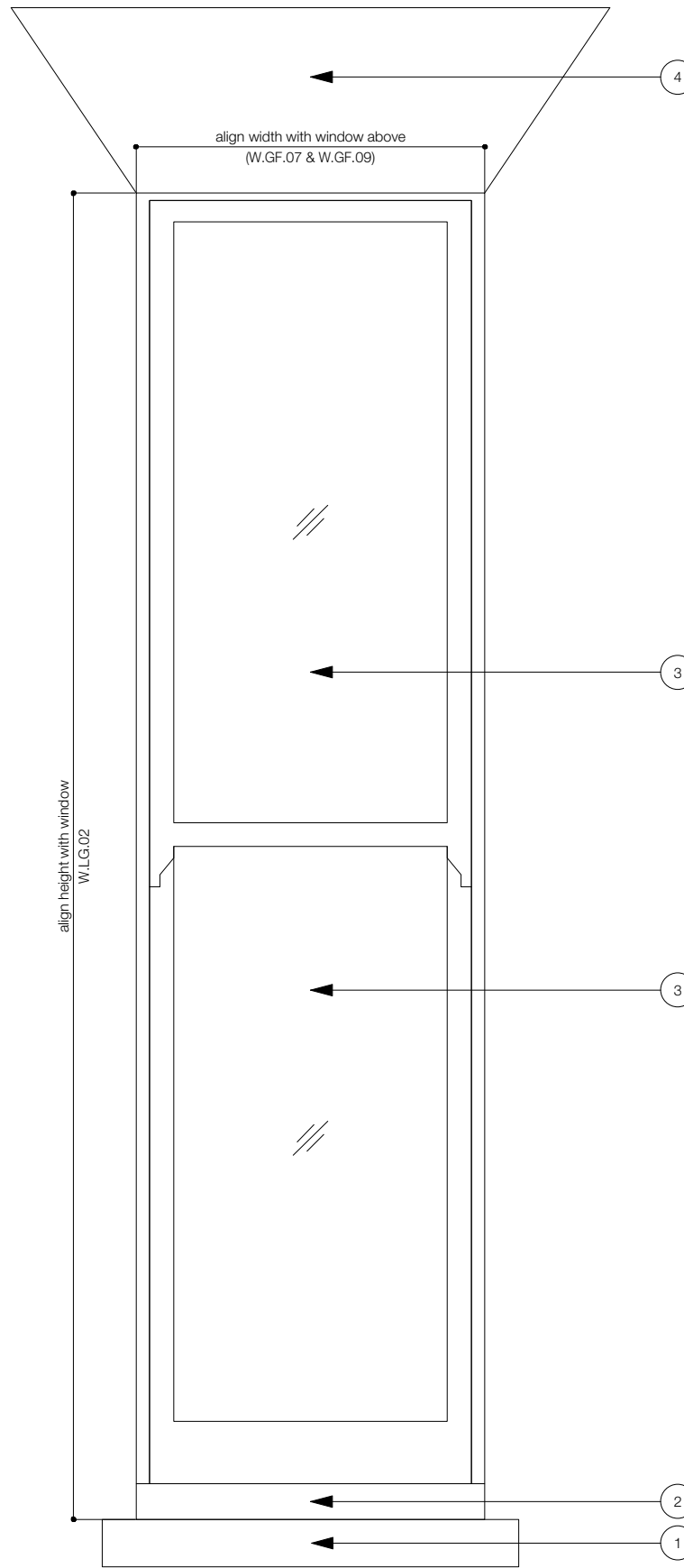
WINDOW TYPE 1:

Slimlite double glazed, hardwood, sash window
> style to match lower ground existing window W.LG.02

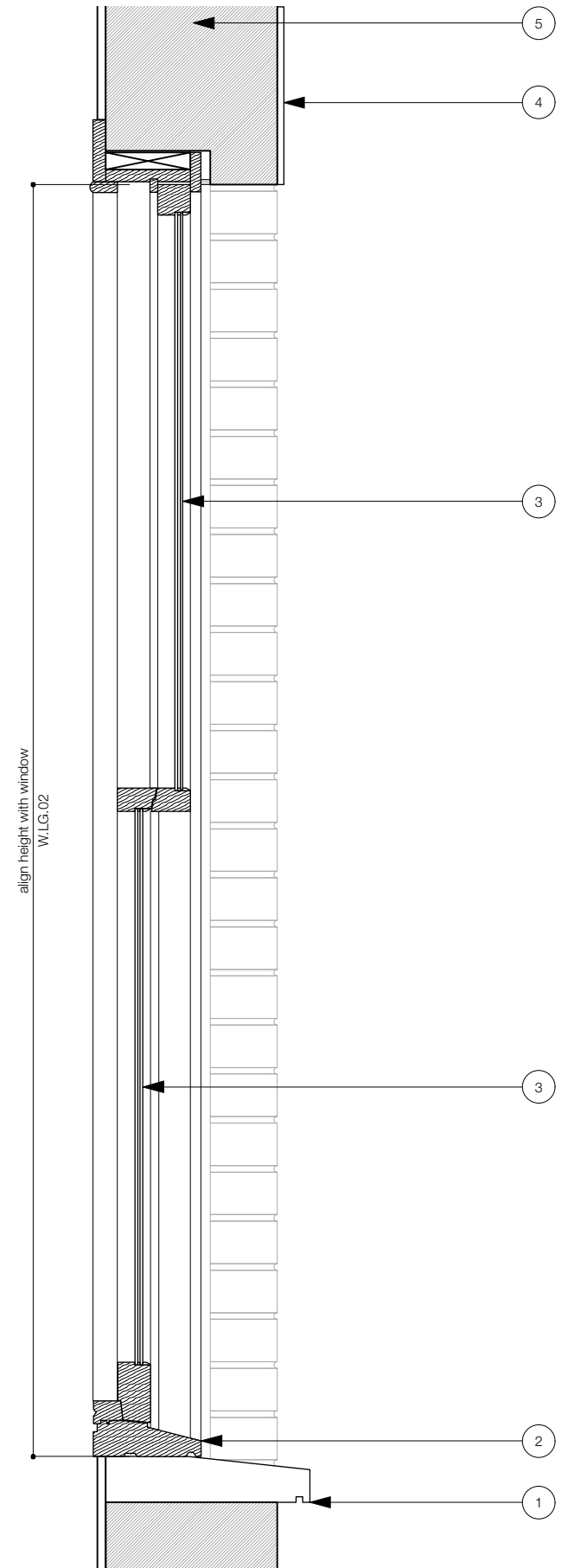
- 1 Concrete cill
- 2 Timber cill
- 3 Slimlite double glazing (4+4+4)
- 4 Lintel
- 5 Existing structure



plan 1:10



elevation 1:10



section 1:10

NOTES:

> Structural work as per Structural Engineer's drawings + specification

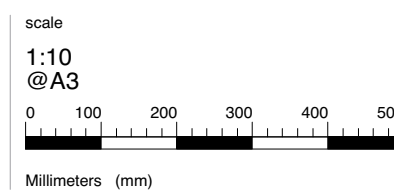
JOHANNA MOLINEUS ARCHITECTS

22 GREAT CHAPEL STREET
 LONDON W1F 8FR
 0207 734 8320
 info@johannamolineus.com

© 2017 Johanna Molineus Architects Ltd

Do not scale dimensions from drawing.
 Check all dimensions on site prior to commencement of work.
 Do not copy or use this drawing without written consent.
 Issue or publication does not convey or imply grant of licence.
 If the drawing exceeds the quantities in any way the architects
 are to be informed before work is commenced.
 Drawing to be read in conjunction with structural engineer's
 drawings and specification.

revisions
 _171020: planning issue



drawn / checked by
 EC / JM

issue
 Planning

date
 Oct 17

revision

project
 11 Steele's Road
 Belsize Park
 London, NW3 4SE
 client
 Jonathan Kandel &
 Miri Freud-Kandel

drawing title
 Window Type 1 Detail

drawing no.
 258.11
 -901