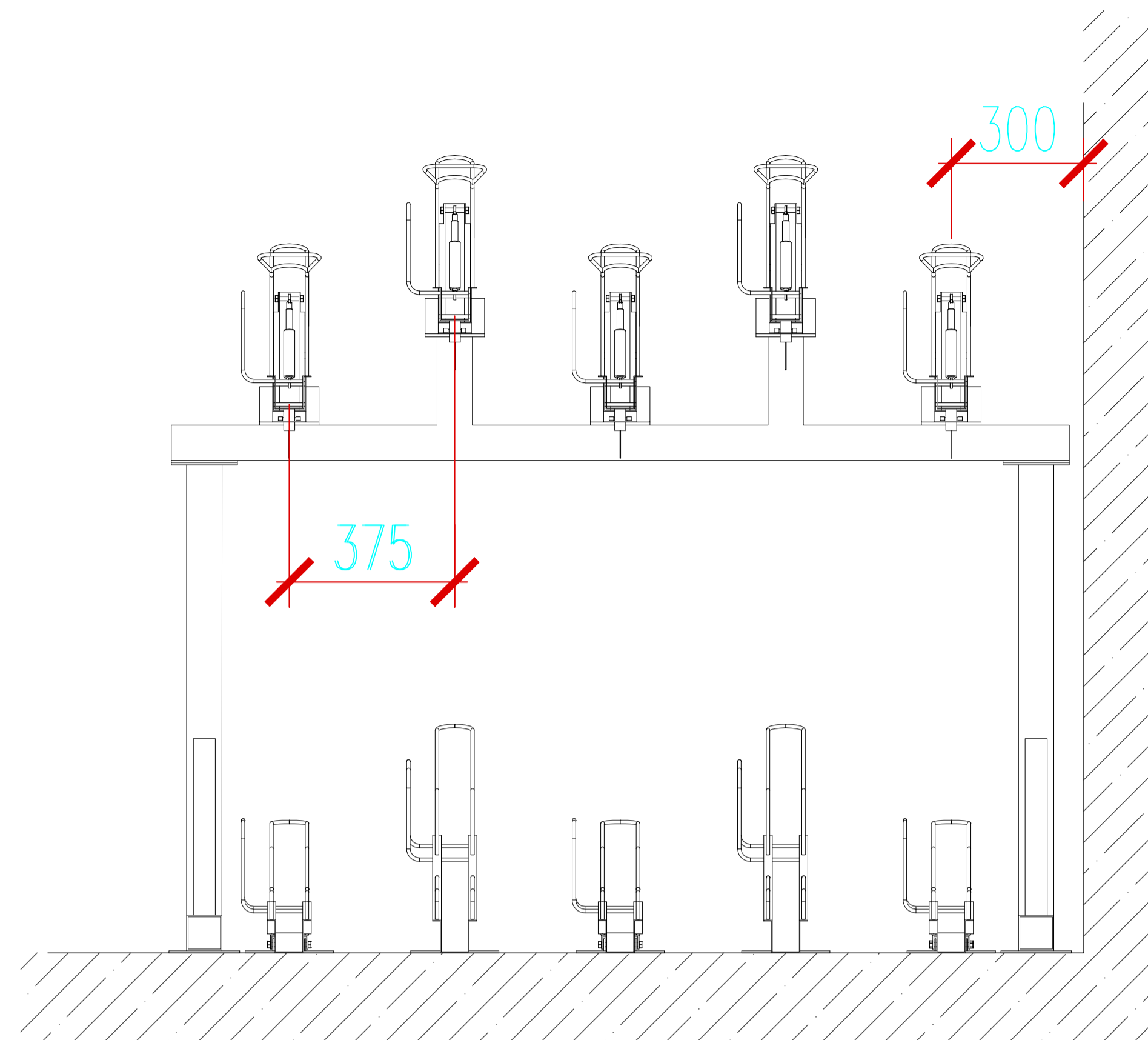
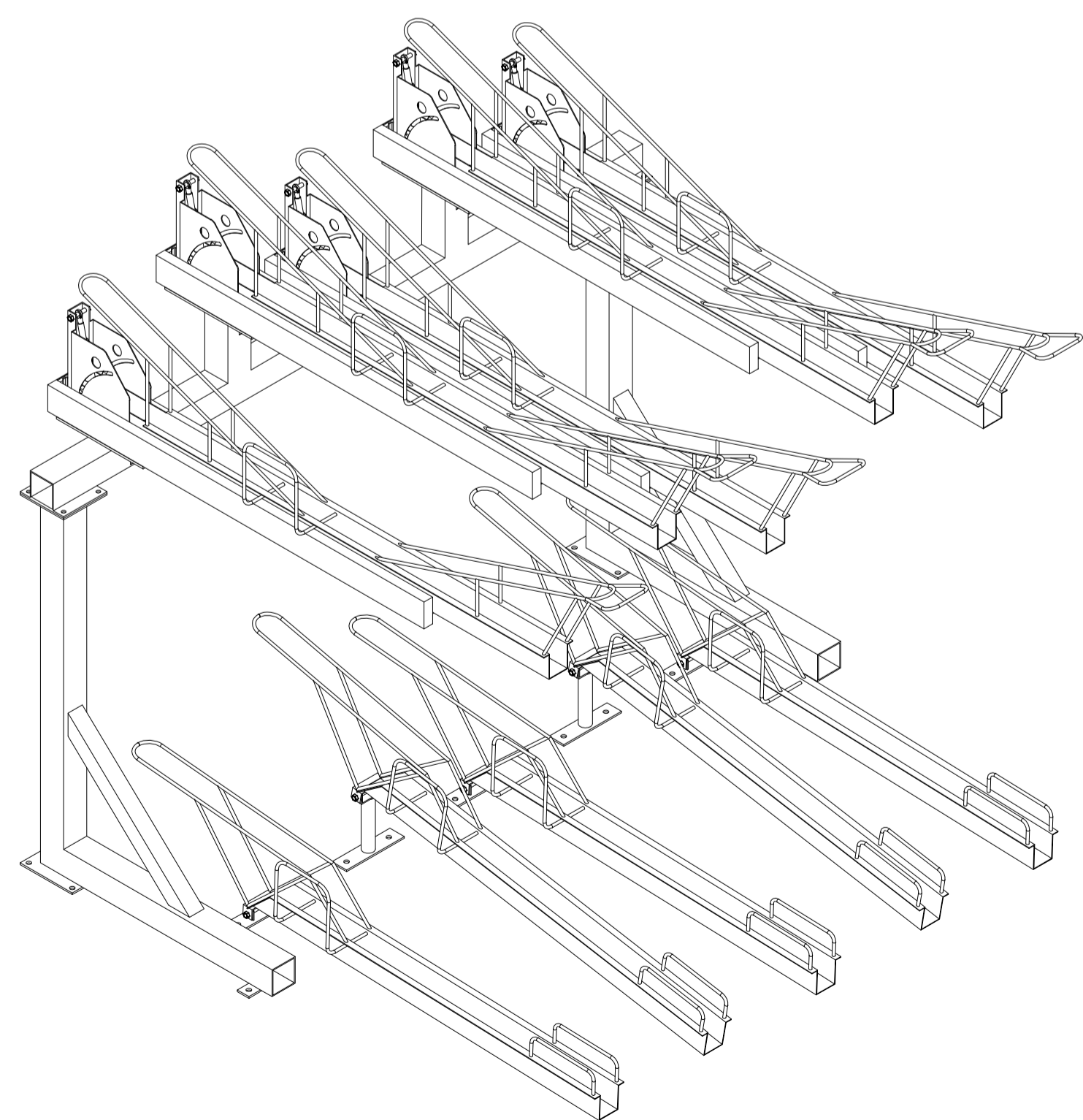


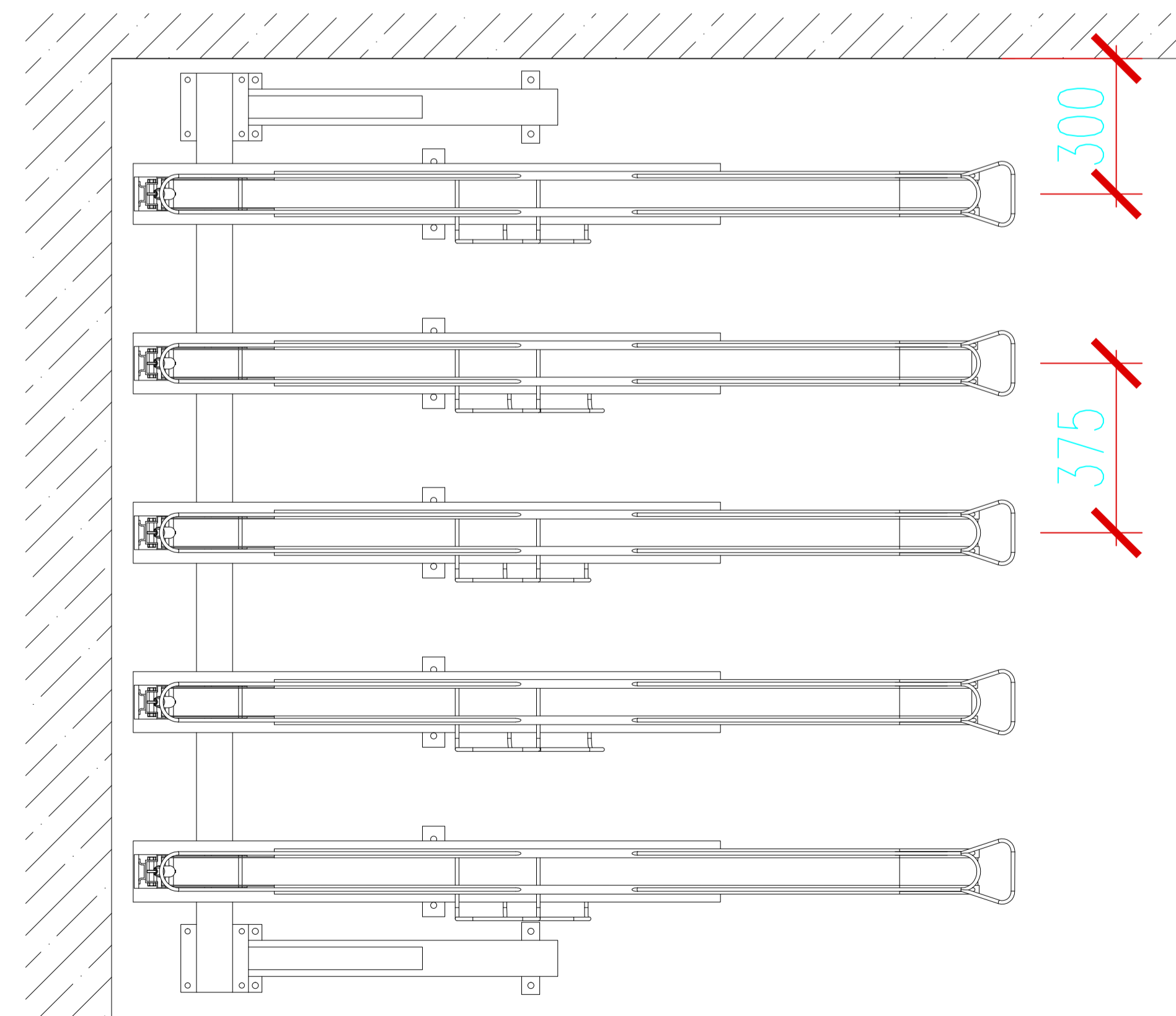
Visitors Cycle Store Elevation - 2 tier rack showing cycles



2 TIER RACK ELEVATION



2 TIER RACK 3D VIEW



2 TIER RACK PLAN

REVISIONS		
Rev.	Date	By
-	Issued for Planning	20.12.16 MG

PLANNING APPLICATION

ALL DIMENSIONS TO BE CHECKED ON SITE
WORK TO FIGURED DIMENSIONS ONLY
REPORT DISCREPANCIES TO THE ARCHITECT
AT ONCE BEFORE PROCEEDING

Contemporary Design Solutions



Client

HALLMARK PROPERTY GROUP

Project Title

B8/WAREHOUSE & STUDENT ACCOMMODATION
65-69 HOLMES ROAD

Drawing Title

2 TIER RACK SYSTEM DETAILS

Scale	1: NOT TO SCALE	Date	Dec 2016
Drawn	MG	Checked	CT
Drawing No.	131050 A(90)110	Rev.	-

CAD plot date: