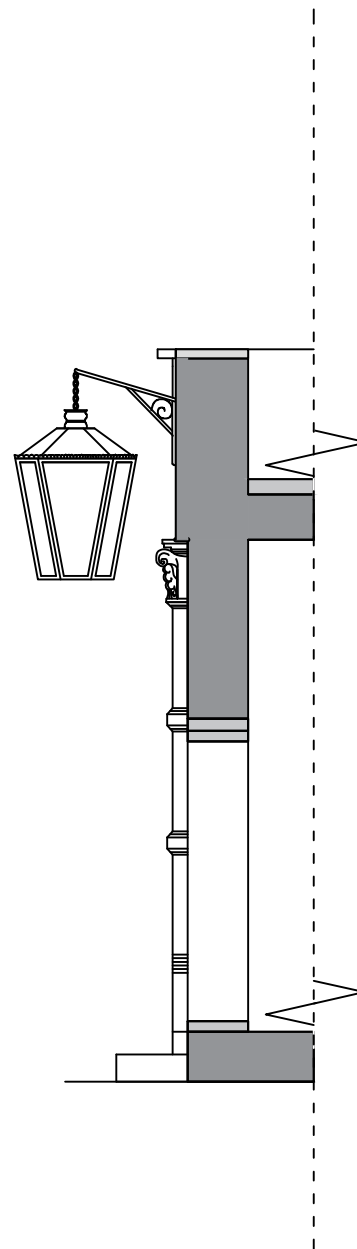


A cross section of the frontage of Camden Road



A cross section of the entrance of the building

LEGEND

Description of opening mechanism

- ① Arm is lowered from a near-vertical to a near-horizontal position
- ② Wall-end of arm is pushed up the slider to a finished horizontal position, achieving a minimum head clearance of 2100mm

Proposed dimensions for 2x shopfront blinds (on Camden Road side)
Blinds are in the traditional/Victorian/butcher style, non-motorised

PROJECT NAME AND ADDRESS: **43-45 Camden Road**
London
NW1 9LR

SHEET: Planning Application - Change of Use of Ground floor and External Alterations

DATE: 10/2017

SCALE: 1:50

FIRM NAME: Turn Trust Ltd

FULL SIZE: A3