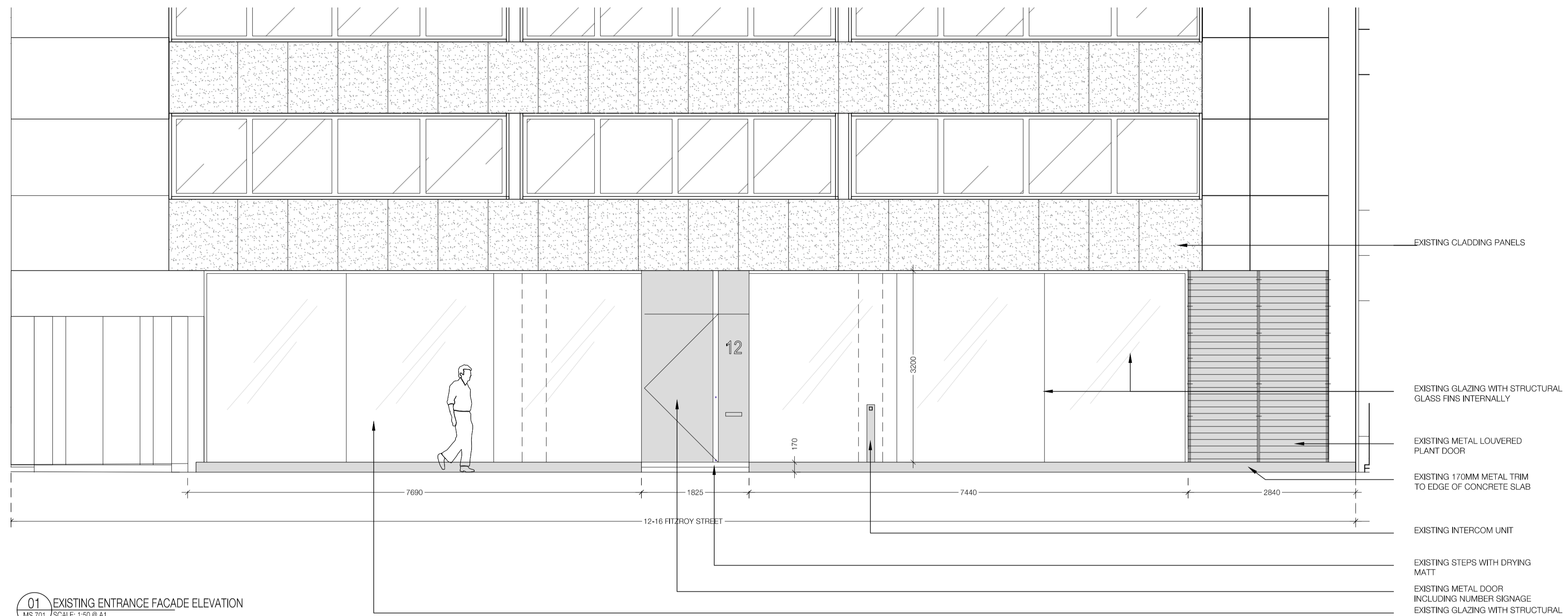


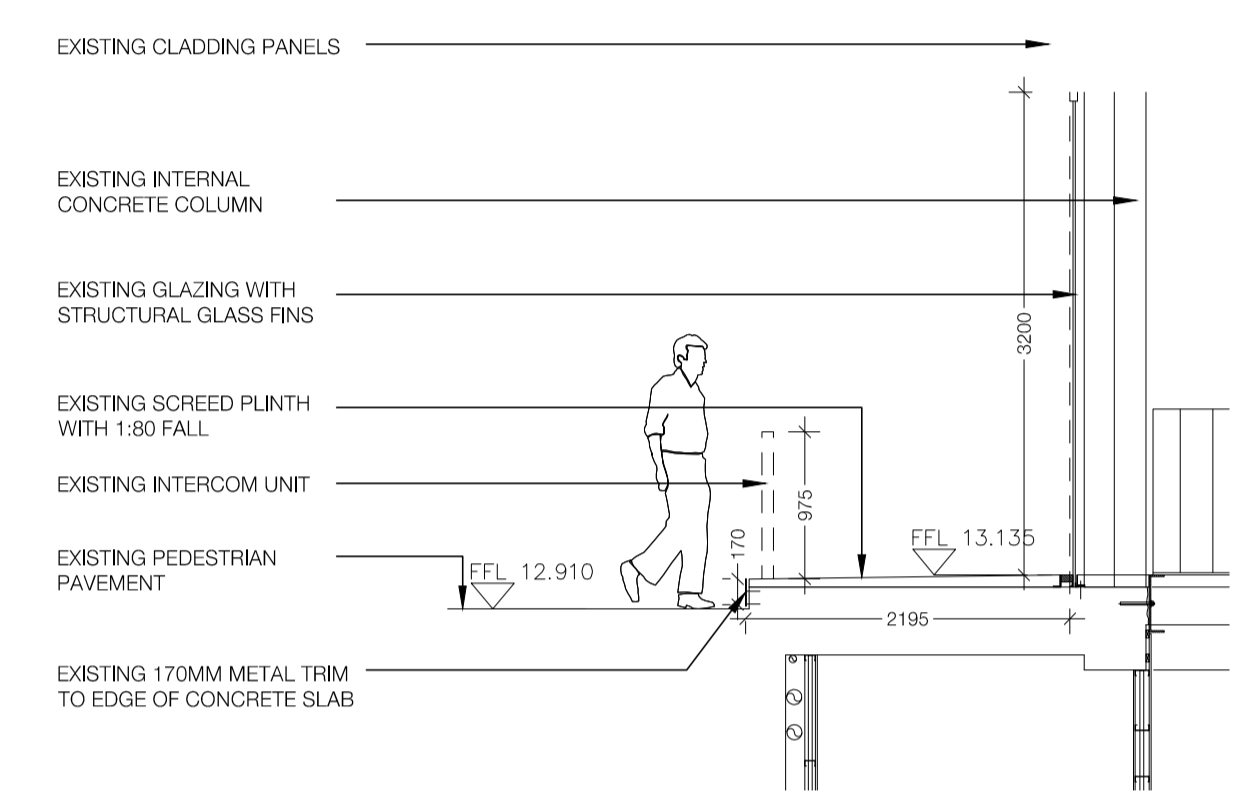
SITE BLOCK KEY PLAN



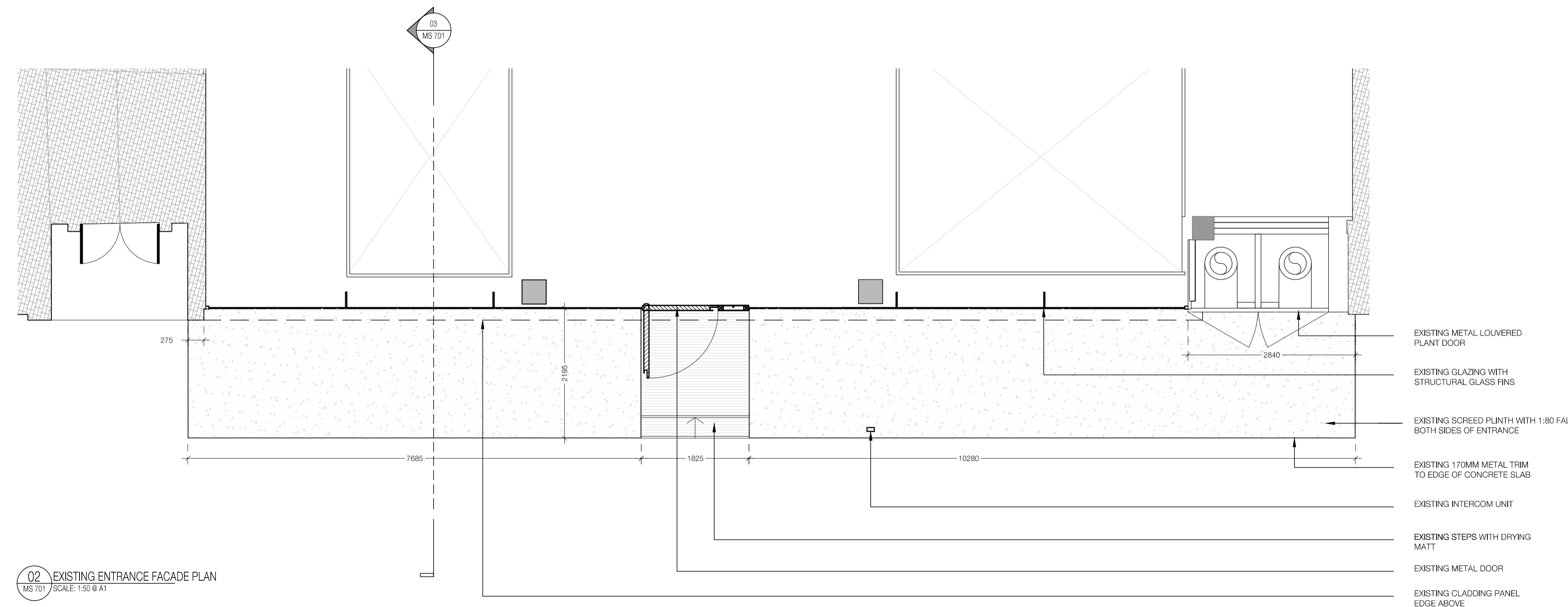
- 1) TO BE READ IN CONJUNCTION WITH MOREYSMITH DRAWINGS MS 700, 701, 703 & 704 AND FINISHES SCHEDULE.
- 2) DRAWING TO BE READ IN CONJUNCTION WITH STRUCTURAL ENGINEER'S DRAWINGS AND SPECIFICATIONS.
- 3) DETAILS SUBJECT TO DEVELOPMENT BY SPECIALIST CONTRACTOR - FABRICATION DRAWINGS AND CALCULATIONS TO BE ISSUED TO MS AND STRUCTURAL ENGINEER FOR APPROVAL PRIOR TO MANUFACTURE.



01 EXISTING ENTRANCE FACADE ELEVATION  
MS 701 / SCALE: 1:50 @ A1



03 EXISTING ENTRANCE FACADE SECTION  
MS 701 / SCALE: 1:50 @ A1



02 EXISTING ENTRANCE FACADE PLAN  
MS 701 / SCALE: 1:50 @ A1



P1 06.10.17 ISSUED FOR PLANNING BS MT

Rev Date Revisions By Checked

**eySmith**  
**MoreySmith**  
**nith**

24 Marshalsea Road  
London SE1 1HF  
Telephone 020 7089 1470  
Fax 020 7376 1274  
Email info@morey.co.uk  
www.moreysmith.com

FOR PLANNING

JOB 108  
ERGONOM SHOWROOM  
12 FITZROY STREET  
LONDON

Drawing title  
EXISTING GROUND FLOOR  
ENTRANCE FACADE  
PLAN, ELEVATION & SECTION

Date OCT 2017 Job no. 539 Drawing no. MS 701 Rev. P1

Scale 1:50 @ A1 Drawn by BS/KC Checked  
Drawing not to be scaled. (Except for Planning Purposes)  
All dimensions to be checked on site, any discrepancies must be reported to the designer immediately. ©MoreySmith