

FDFU71KXE6F

Floor Standing - Indoor Unit

The FDFU71KXE6F is a floor standing VRF indoor unit with a nominal cooling capacity of 7.1 kW.

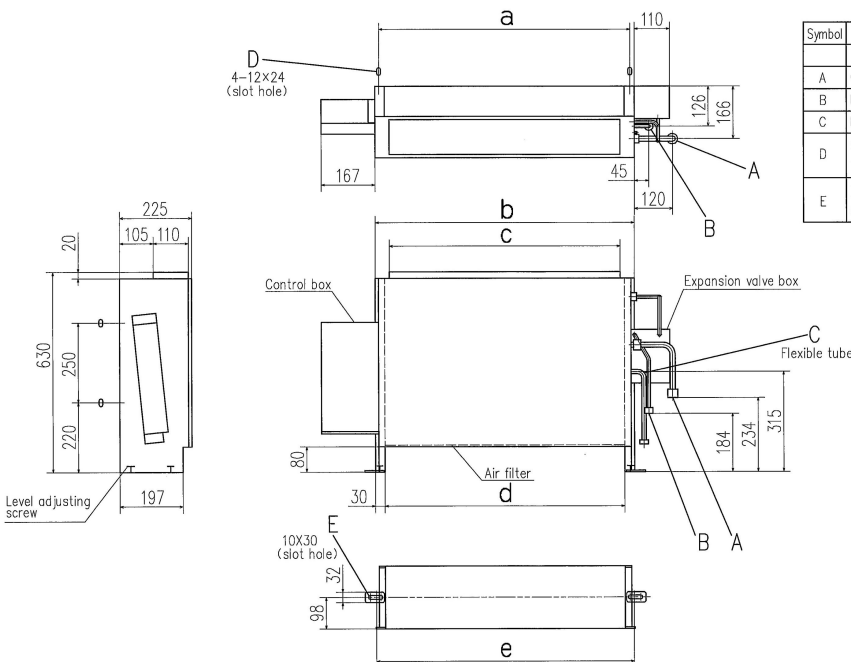


Technical Specifications

General Data

Nominal cooling capacity	kW	7.1
Nominal heating capacity	kW	8
Power consumption Cooling	kW	0.09 - 0.10
Power consumption Heating	kW	0.09 - 0.10
Power Source		1 Phase 220-240V, 50Hz
Exterior Dimensions (H x W x D)	mm	630 x 1362 x 225
Net Weight	kg	32
Air Flow	m ³ /min	18 / 15 / 12
Sound Pressure Level	dB(A)	43 / 41 / 40
Piping Size - Liquid line	Ø mm	9.52 (3/8")
Piping Size - Gas Line	Ø mm	15.88 (5/8")

Schematics



Symbol	Content			
	Model	FDFU28KXE6F	FDFU45KXE6F,56KXE6F	FDFU71KXE6F
A	Gas piping (Accessory)	Ø9.52(3/8") (Flare)	Ø12.7 (1/2") (Flare)	Ø15.88 (5/8") (Flare)
B	Liquid piping	Ø6.35 (1/4") (Flare)		Ø9.52 (3/8") (Flare)
C	Drain piping (Accessory)	PT20A female screw, 360mm		PT20A female screw, 360mm
D	Slot hole for wall mounting	(M10)		(M10)
E	Metal plate for floor mounting (Accessory)	(M8)		(M8)

Note (1) The model name label is attached on the lid of the control box.

