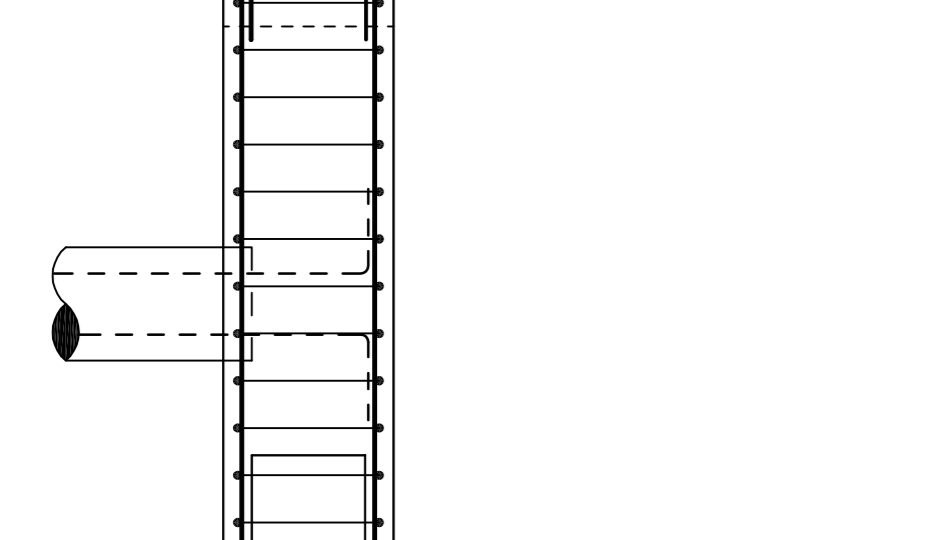
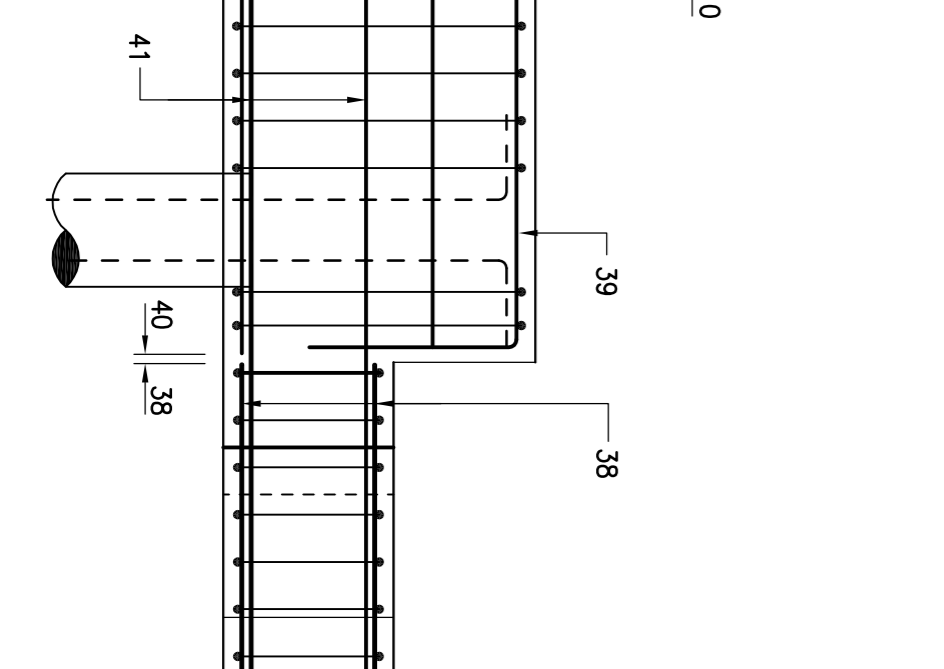
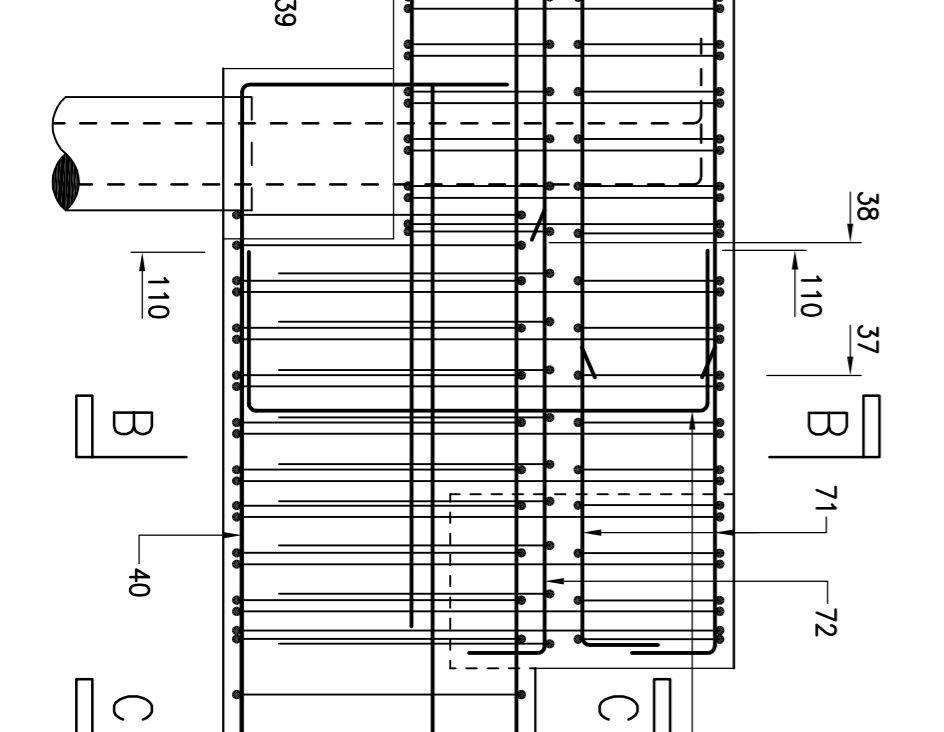
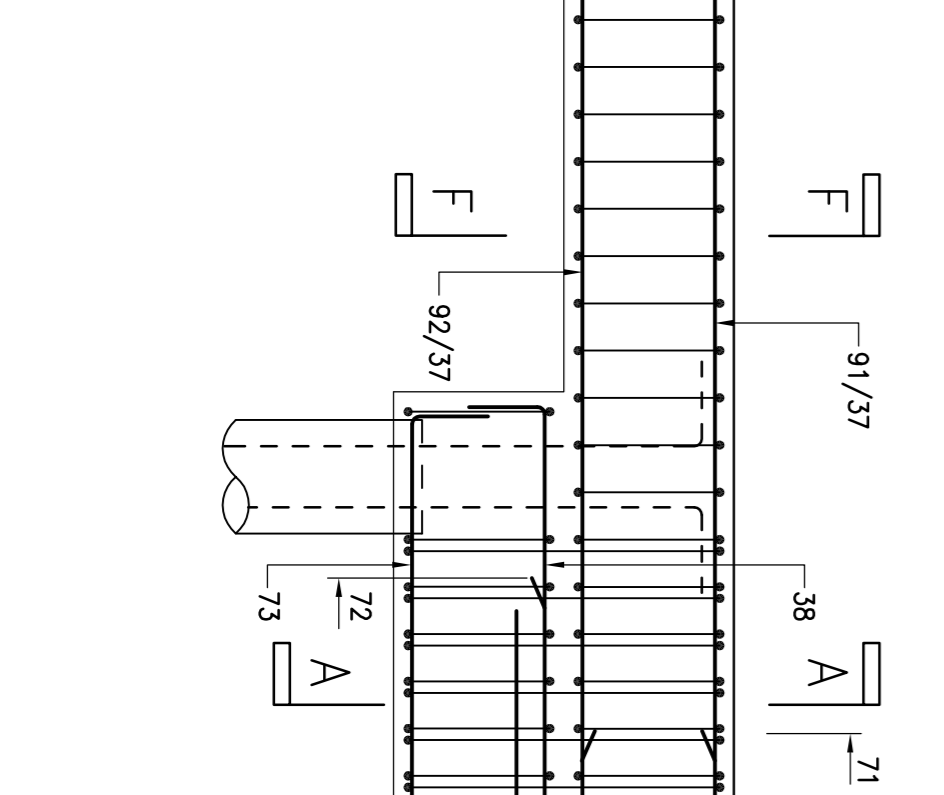
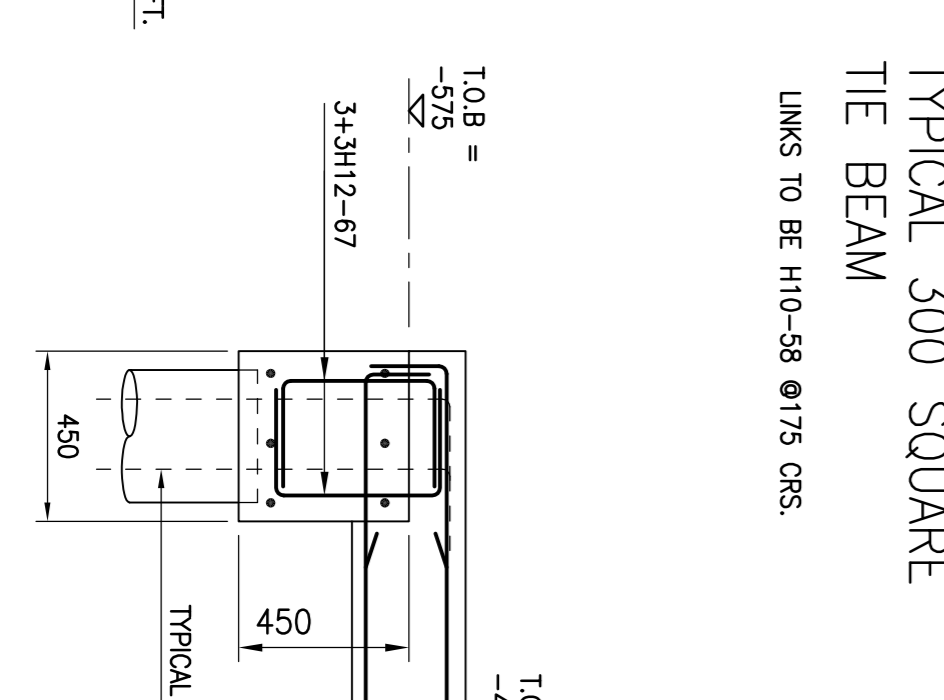
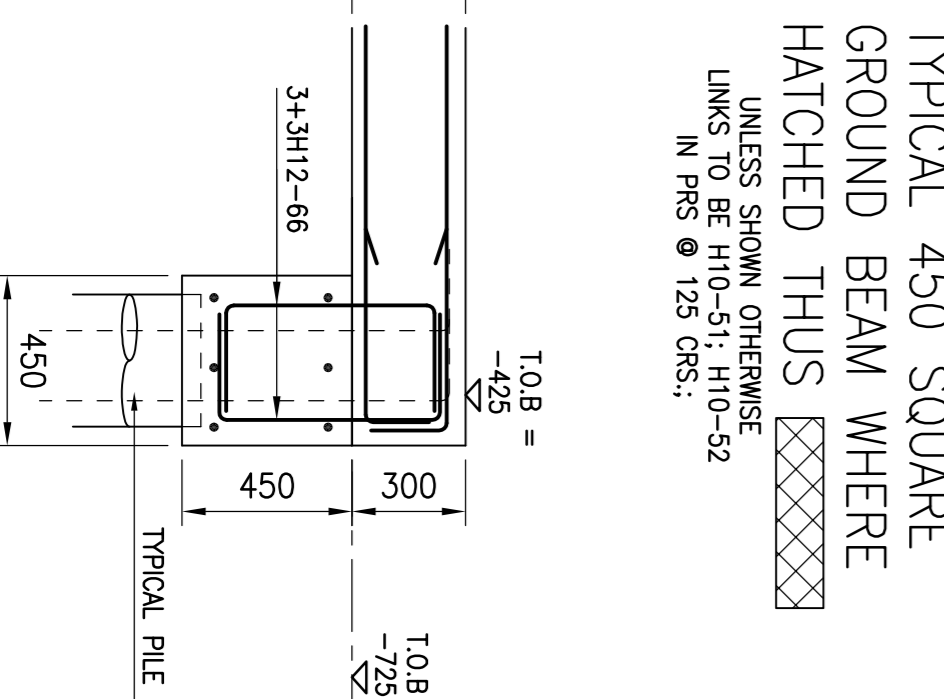
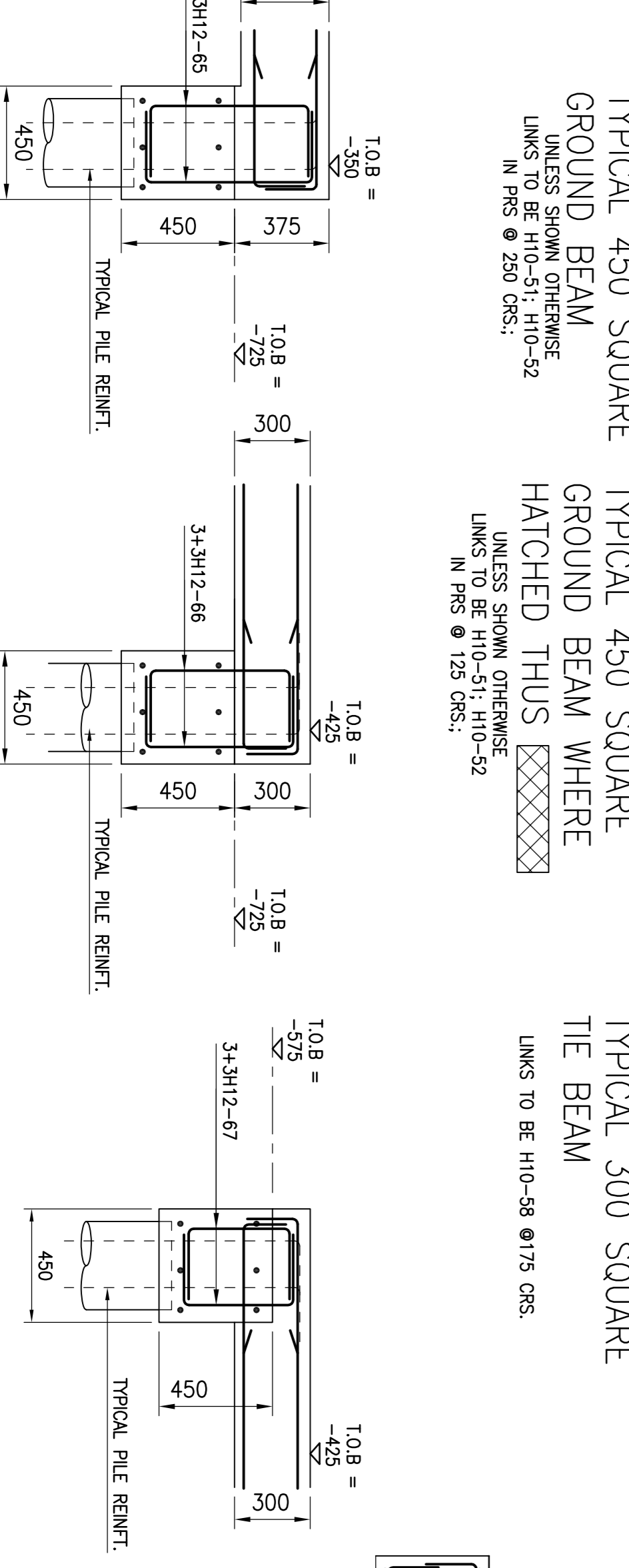
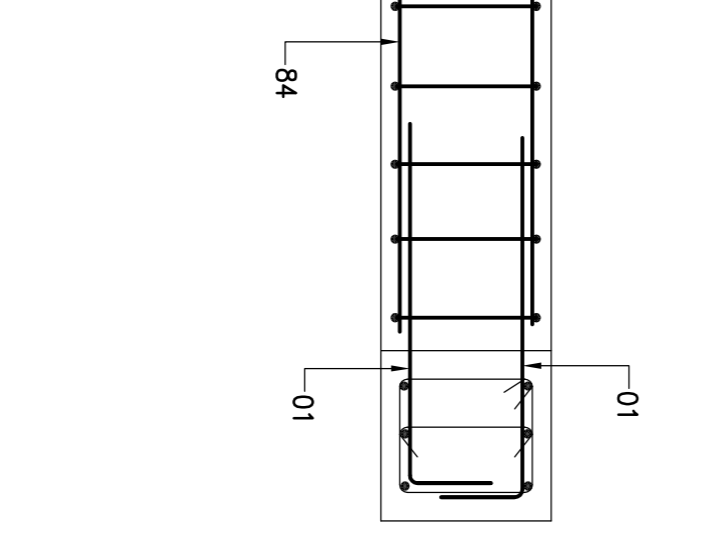
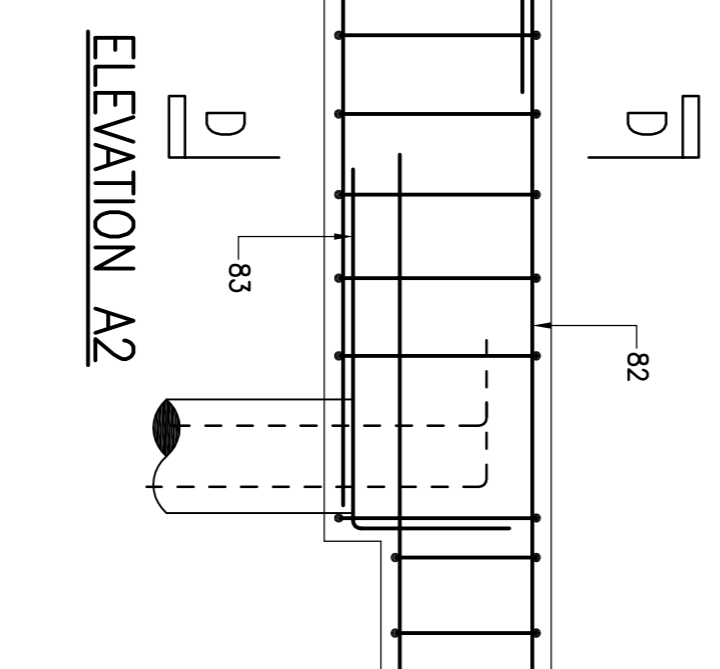
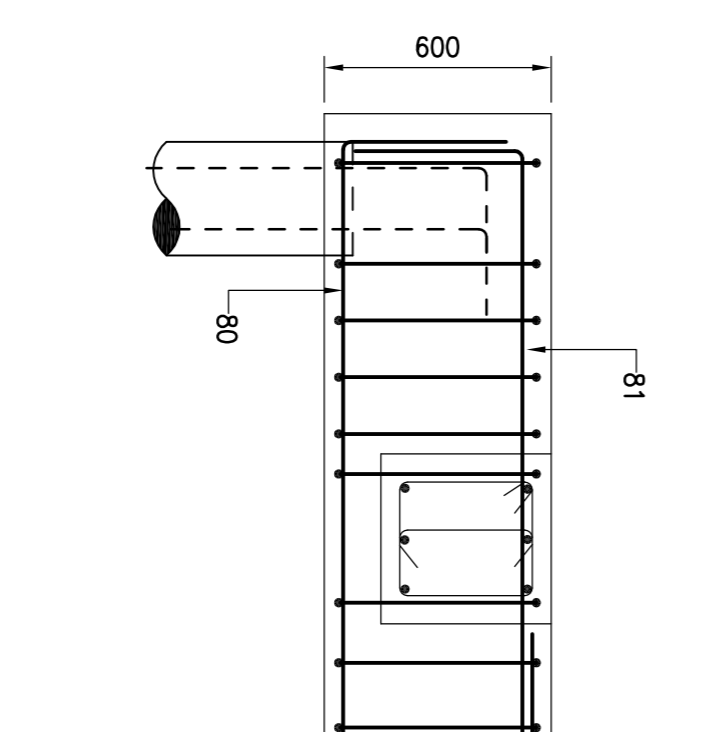
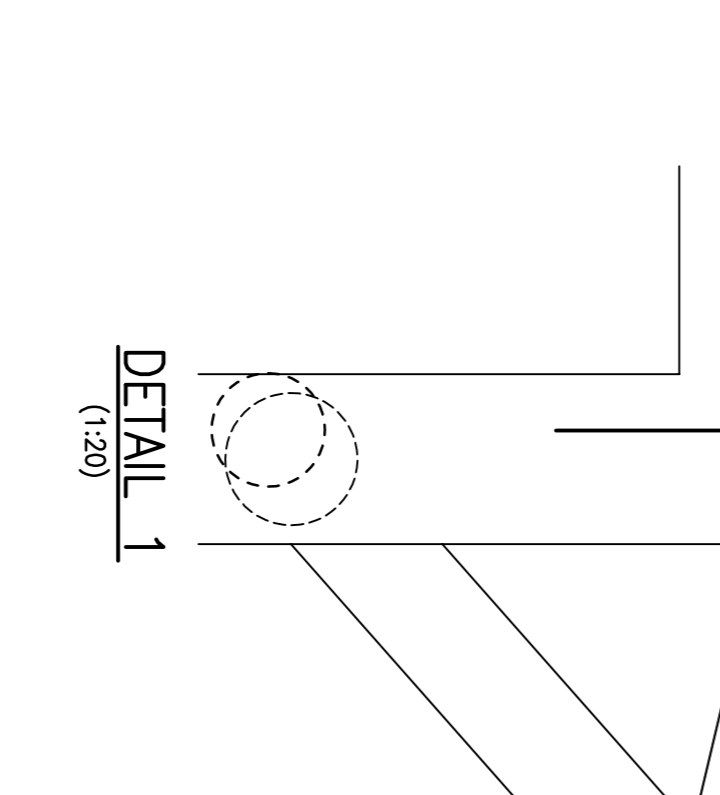
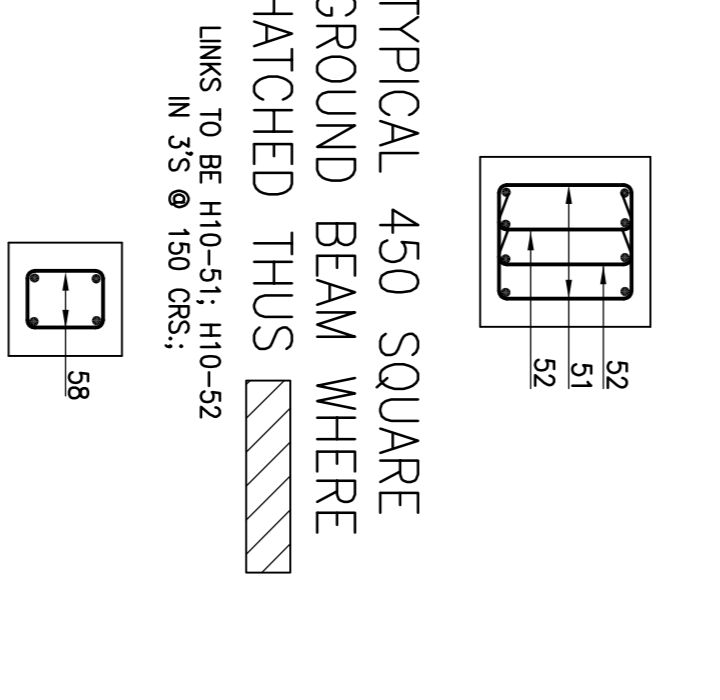
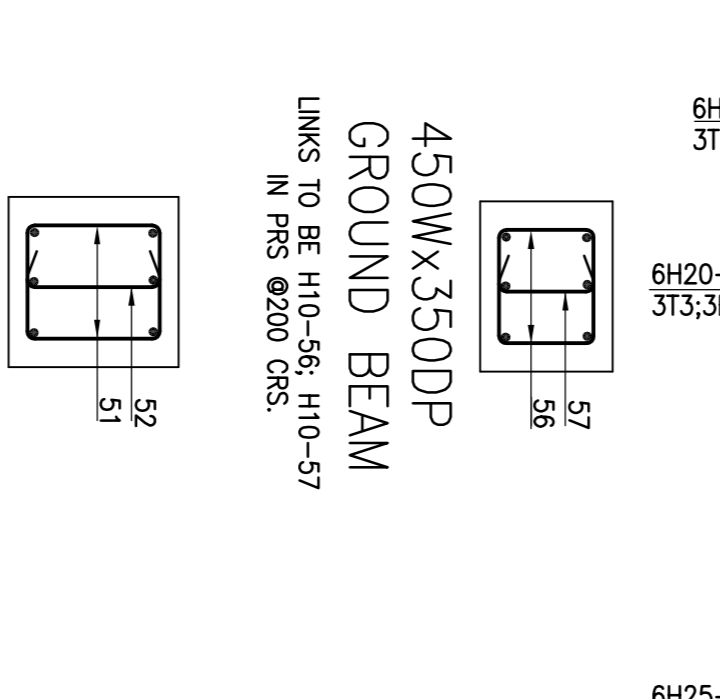
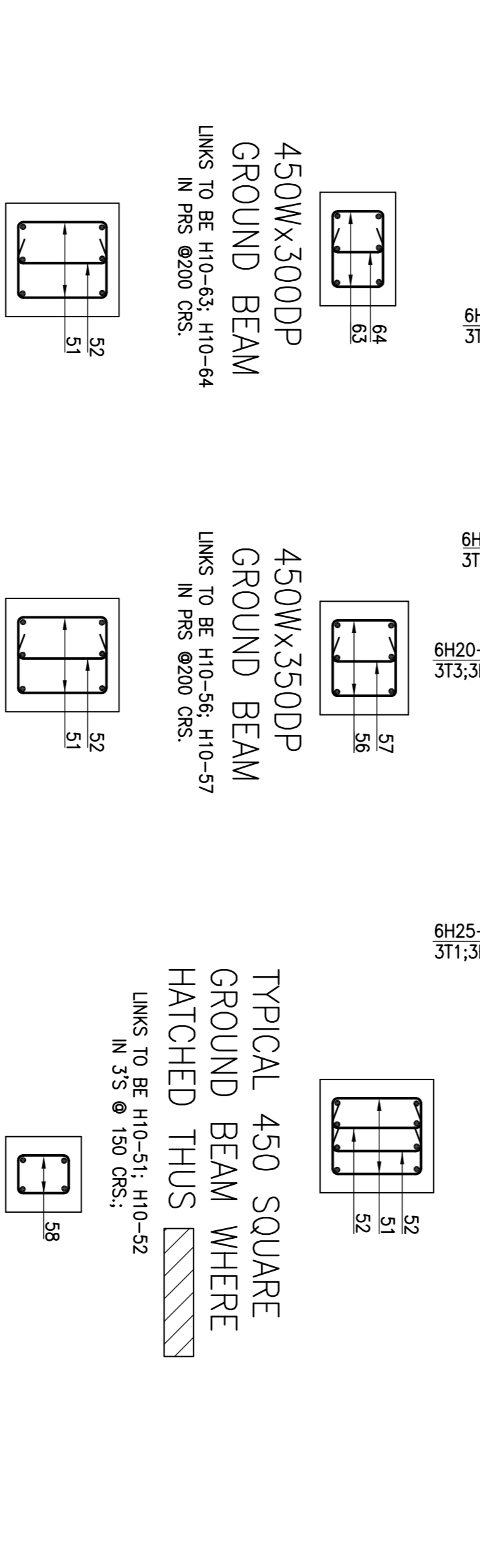
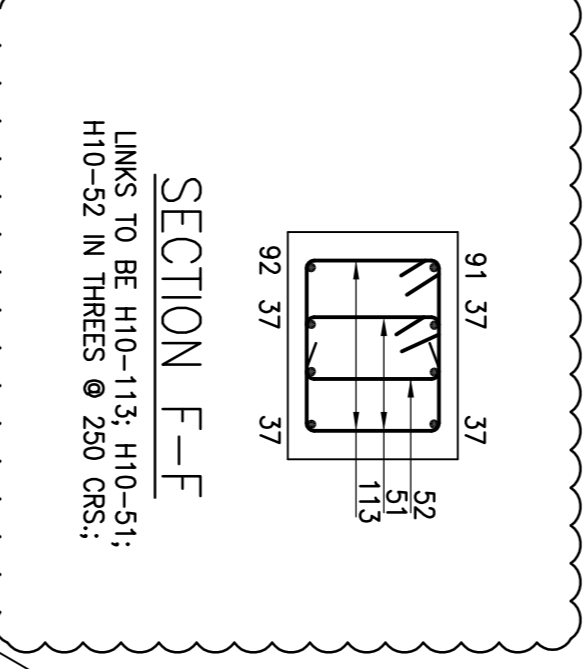
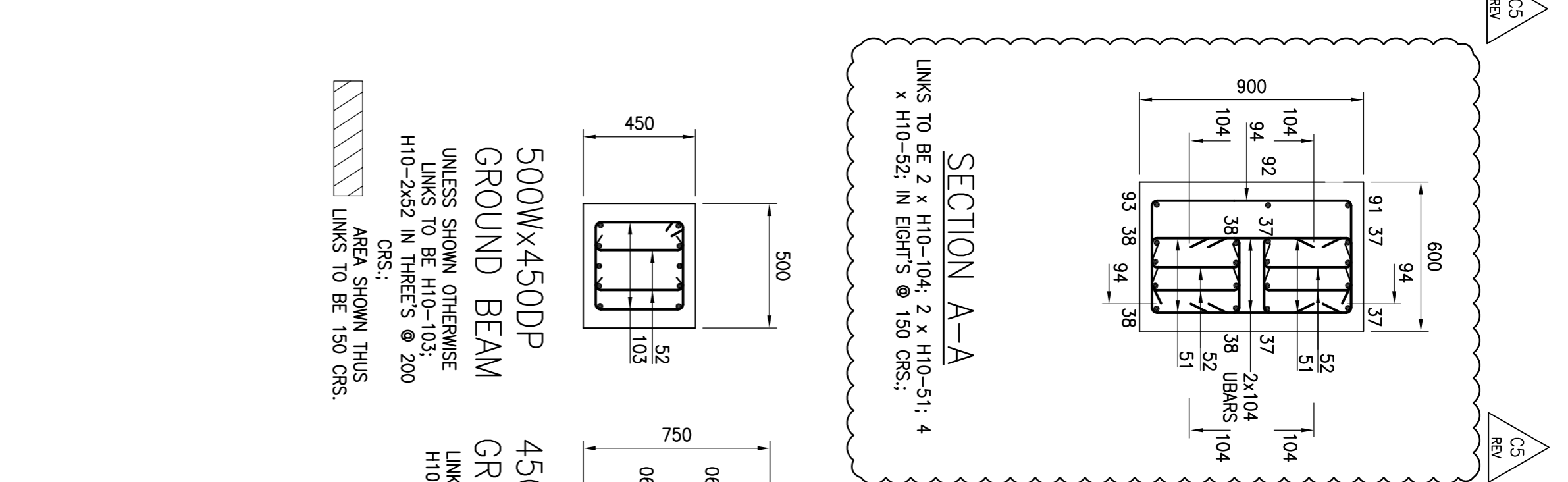
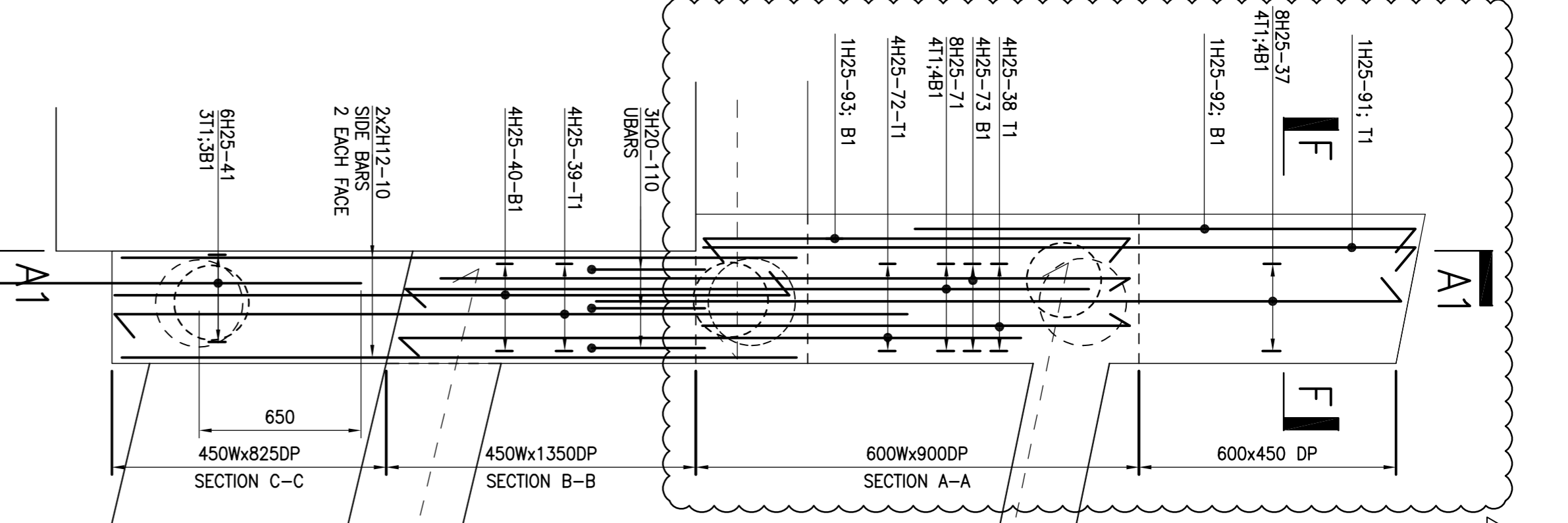
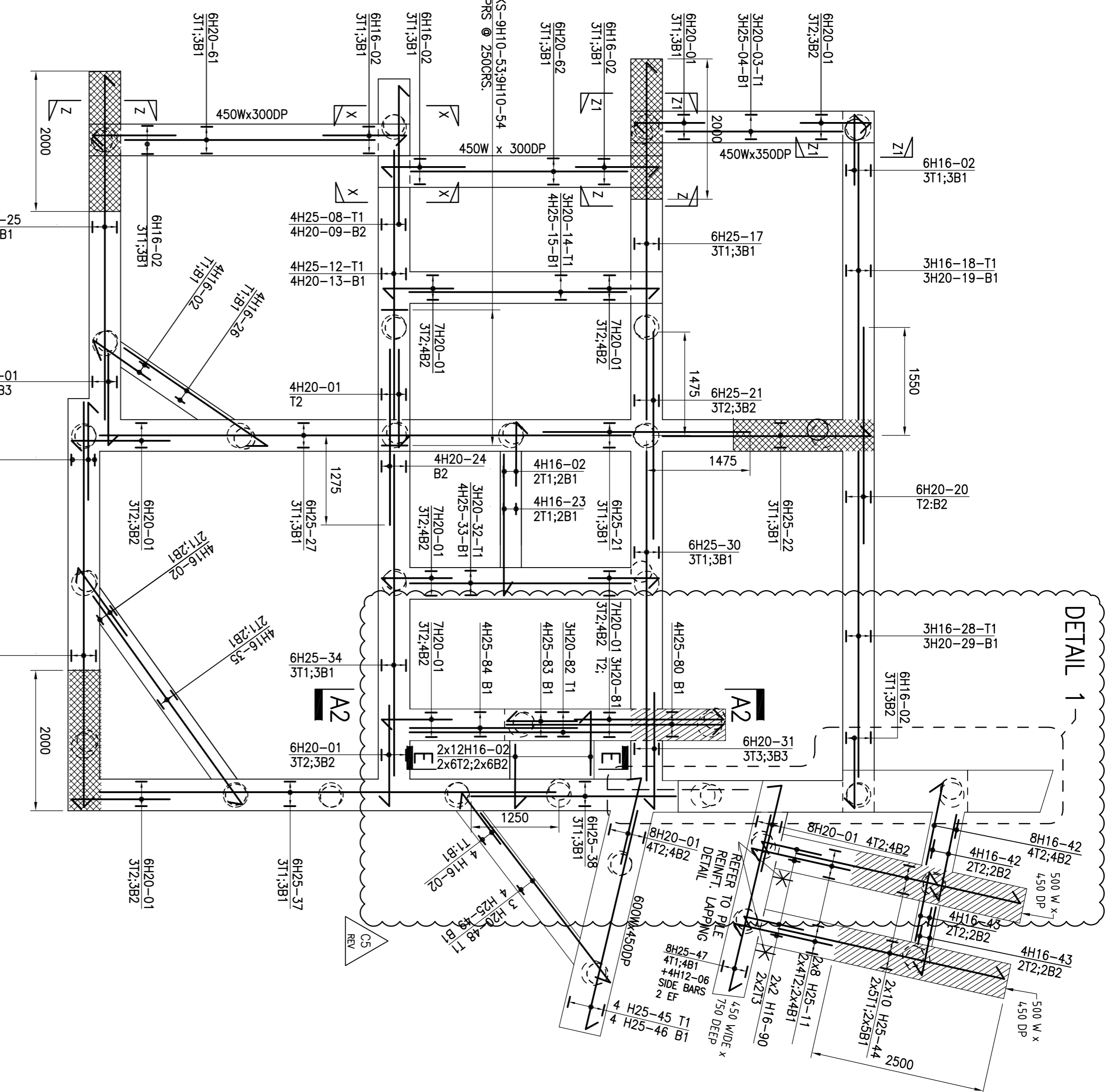
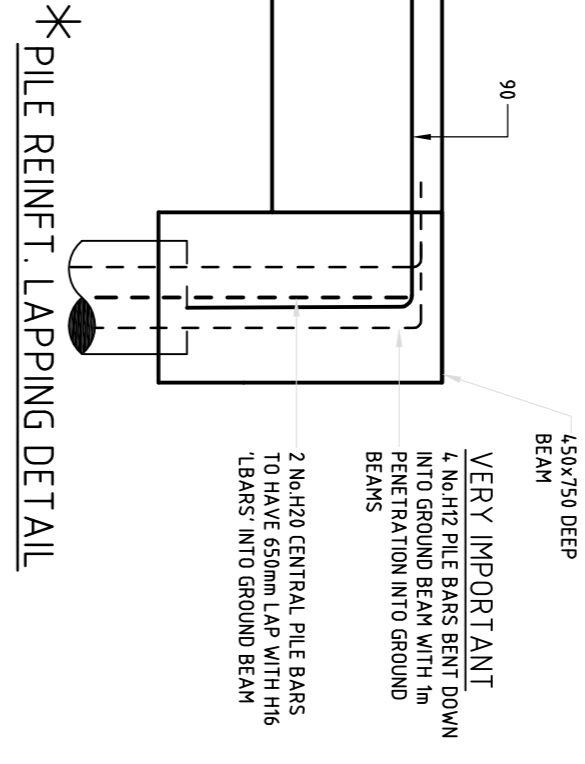
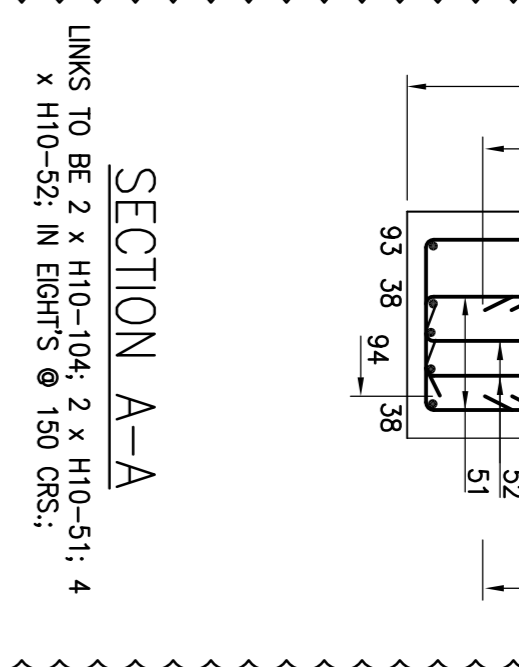
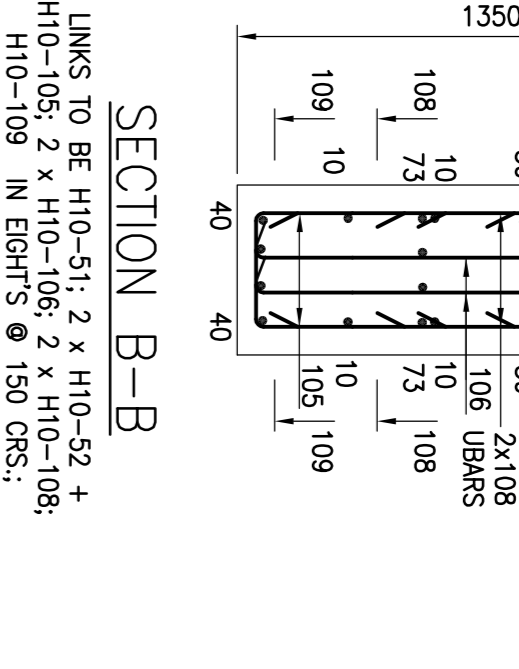
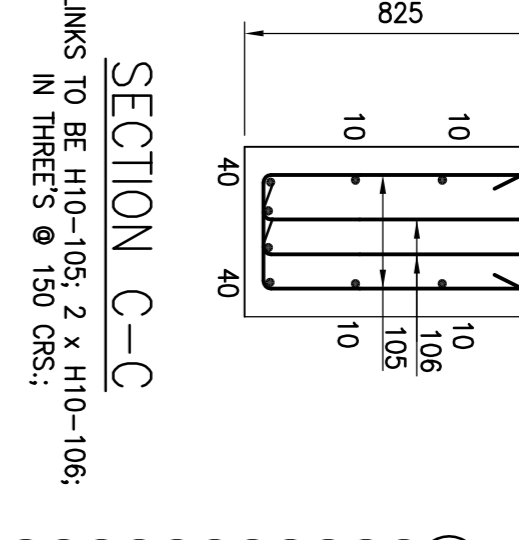
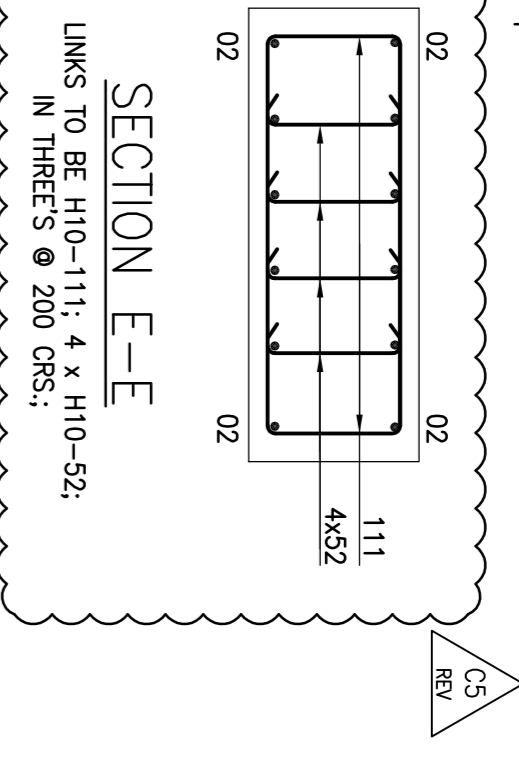


1. THIS DRAWING IS TO BE READ IN CONJUNCTION WITH ALL RELEVANT ARCHITECTS, SERVICE ENGINEERS AND ENGINEERS DRAWINGS AND SPECIFICATIONS.
2. DO NOT SCALE FROM THIS DRAWING WORK ONLY TO FIGURED DIMENSIONS.
3. FOR STANDARD NOTES REFER TO DRAWING 1512-000.
4. COVER TO REINFORCEMENT SO TOP/BOTTOM 75 SIDES
5. REINFORCEMENT LISTED ON SCHED. 1512/ R01/01/02/03



david dexter @ associates
 david dexter associates, Unit G East, Coale House,
 t. 020 800 8888 www.daviddexter.co.uk

RC DETAILS-FOUNDATIONS

STRUCTURAL DRAWING

THE LEIGHTON TORRIANO AV-HOUSES

BRYANSTON INVESTMENTS

CLIENT

NO.	REVISION	DATE	INITIALS
C5	REVISION TO SUIT MS-POSITIONED PILES.	05/06/17	TAG
C4	REVISIONS CLOUDED		
C4	REVISED TO SUIT SITE CONDITIONS WHERE CLOUDED/09/05/17 TAG	03/05/17	TAG
C3	REVISED TO SUIT SITE CONDITIONS	21/04/17	TAG
C2	REVISED TO SUIT SITE CONDITIONS	05/04/17	TAG
C1	CONSTRUCTION ISSUE		

COPYRIGHT
 These drawings, plans and specifications and the copyright therein are the property of David Dexter Associates and shall remain the property of David Dexter Associates.