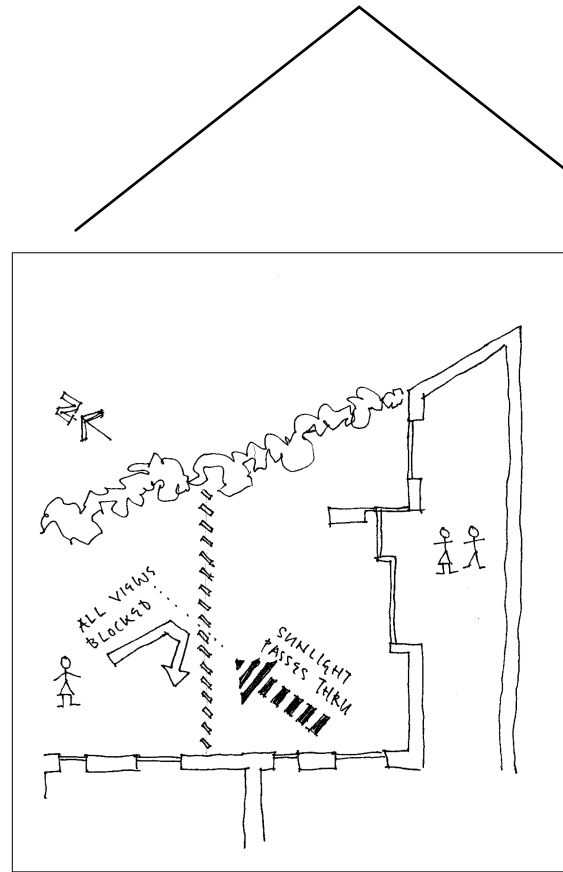
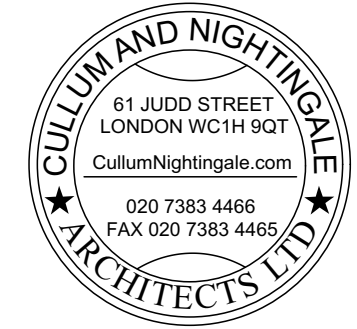
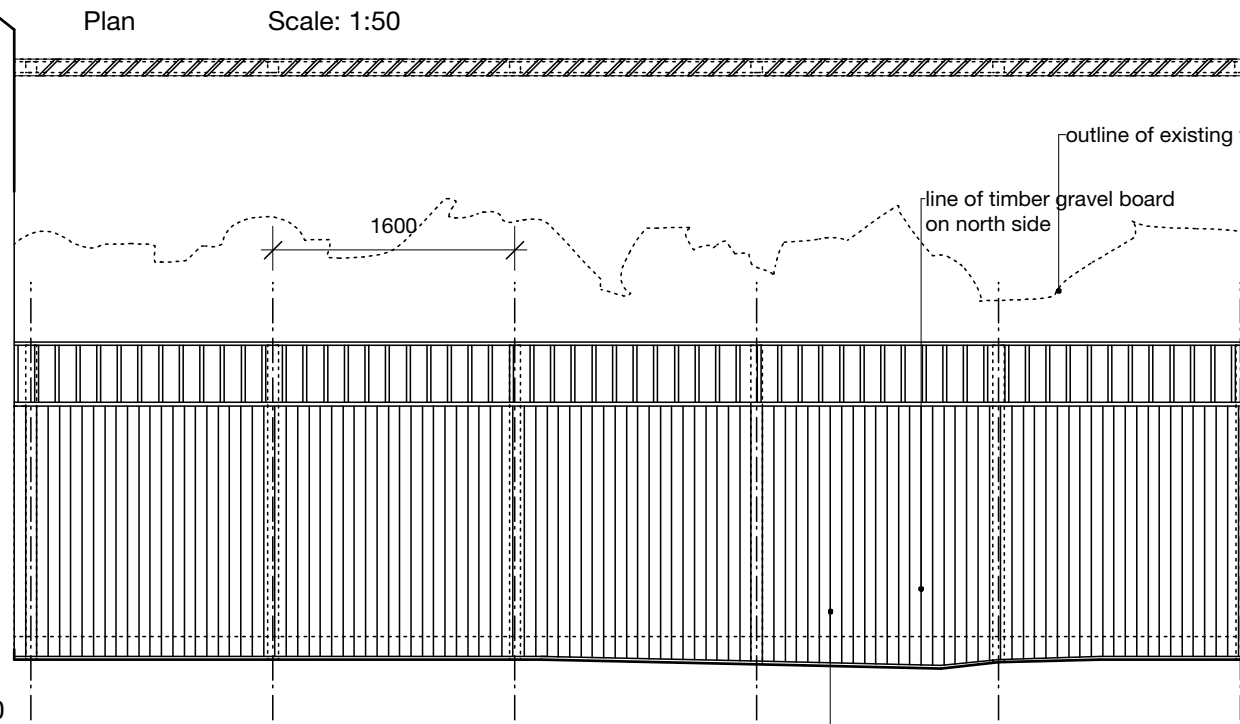


REVISIONS				DRAWING TITLE		
				6 & 7 MALL STUDIOS LONDON NW3 2YS PROPOSED Rear Garden Fence Details		
				Scale As indicated @ A3	No. 1622_A01	
No.	Description	By	Date	Drawn	Checked	Date
				KK		03.10.17



Sketch of views/sunpath



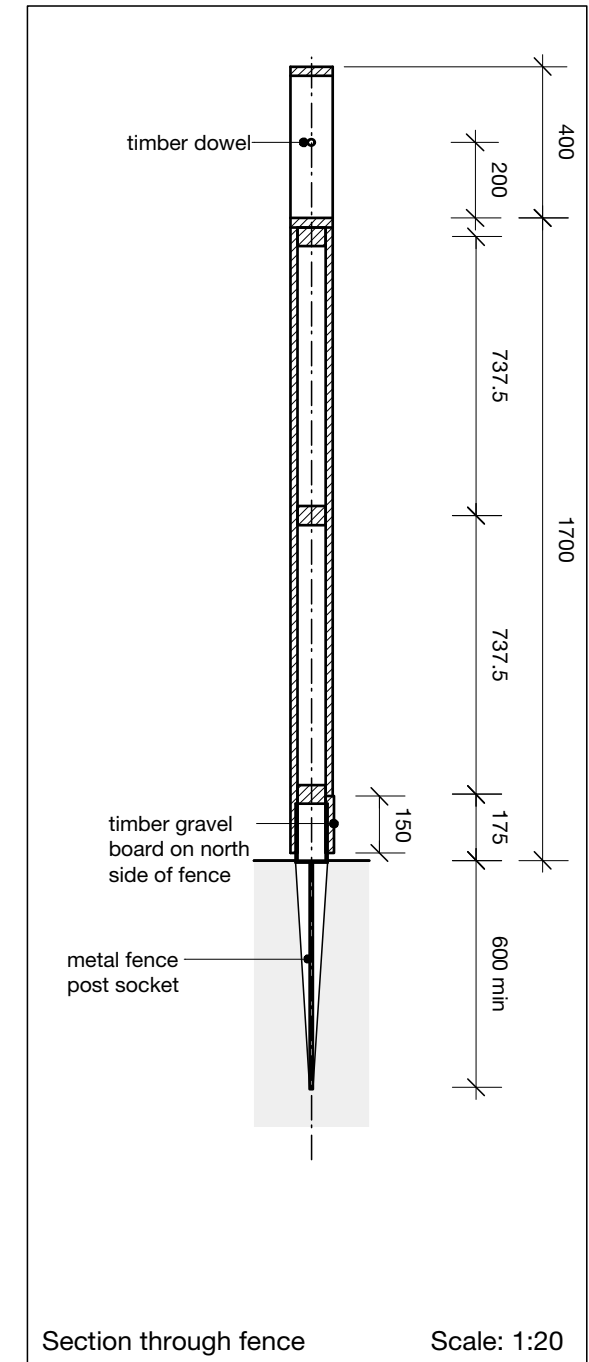
Plan Scale: 1:50

Elevation

Scale: 1:50

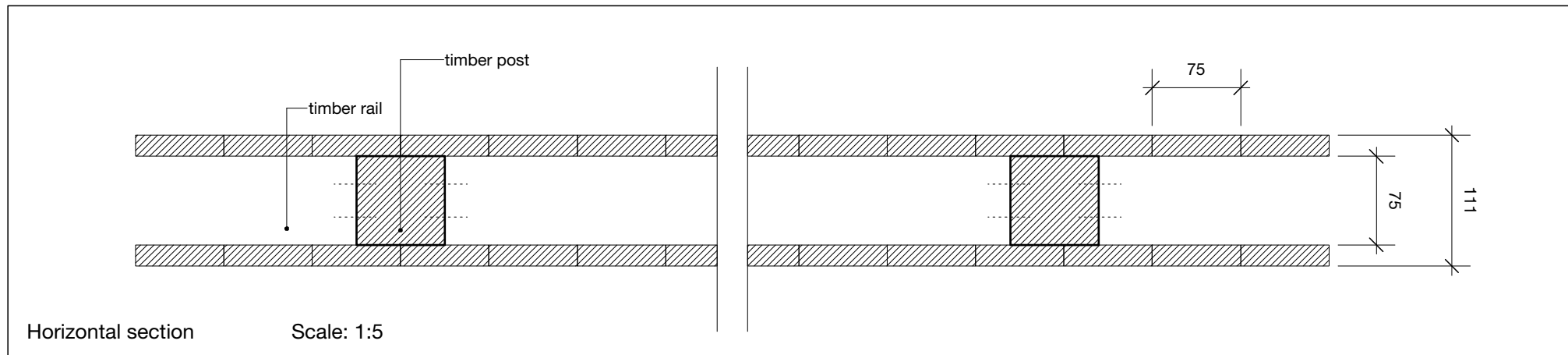
400
1700 (general)
height varies according to the ground level

western red cedar boarding



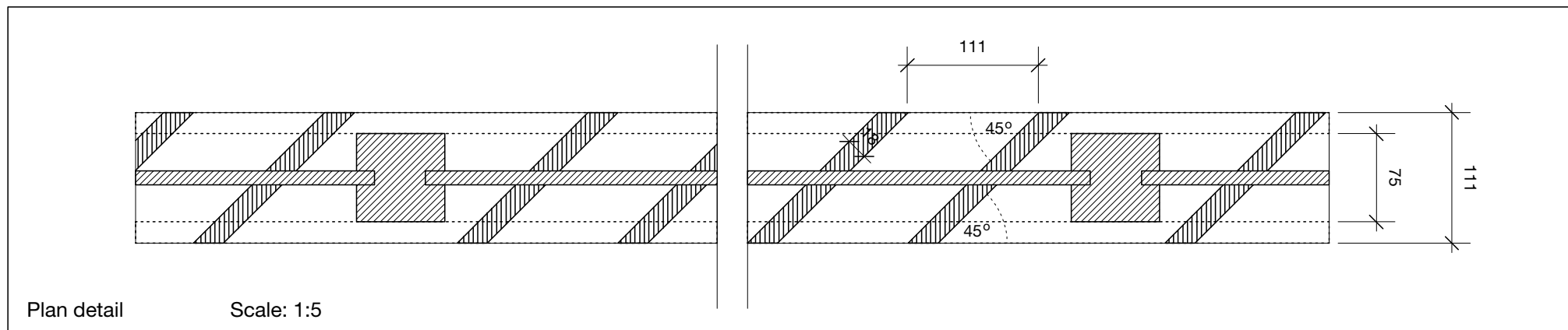
Section through fence

Scale: 1:20



Horizontal section

Scale: 1:5



Plan detail

Scale: 1:5