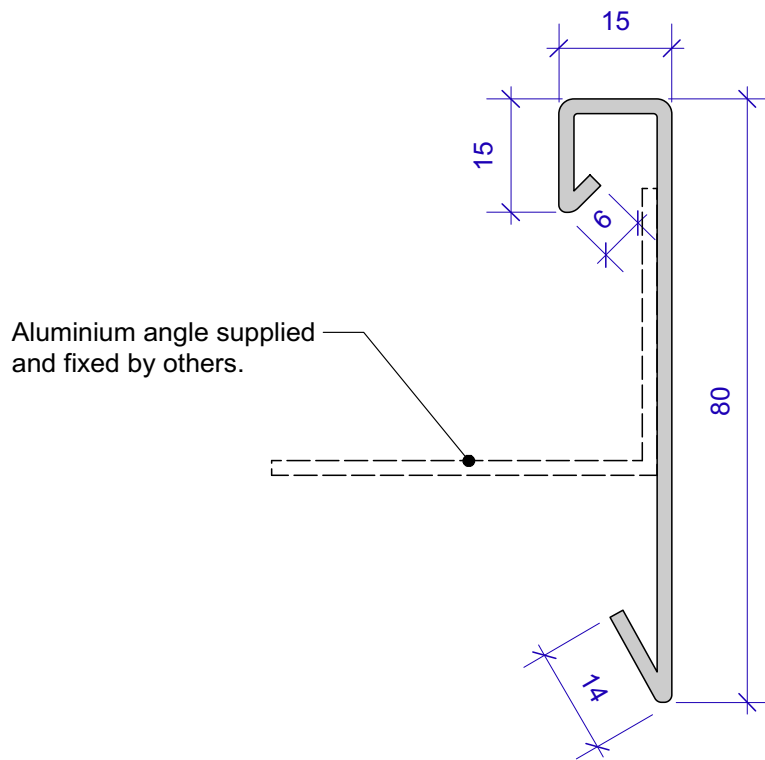
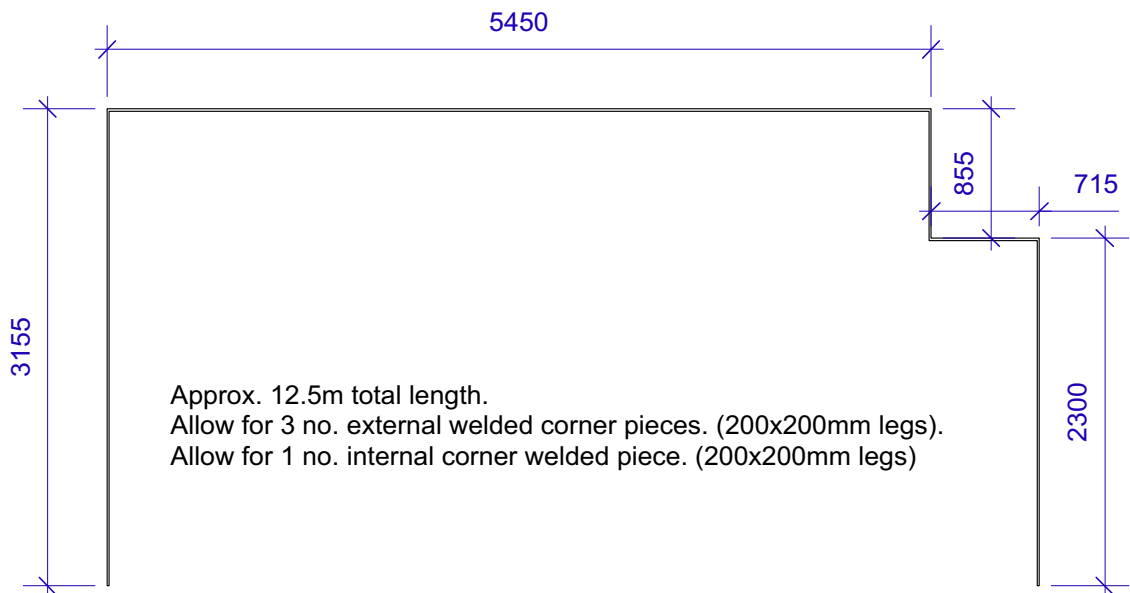


NOTE: All aluminium to be Polyester Powder Coated with RAL 7012



Fascia Detail
Scale 1:1



Plan of fascia layout
Scale 1:50

**St Marks Crescent
Aluminium Fascia Detail.**

SMC_D18

24th April 2017

MBH architects