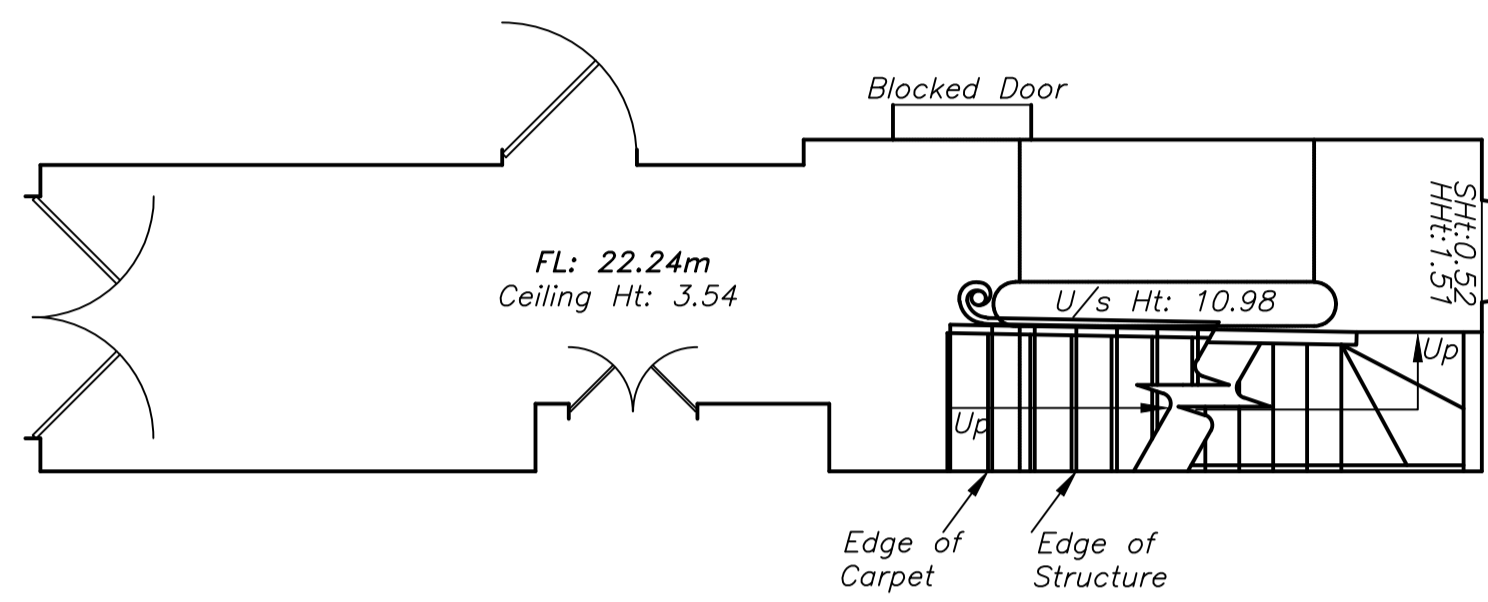


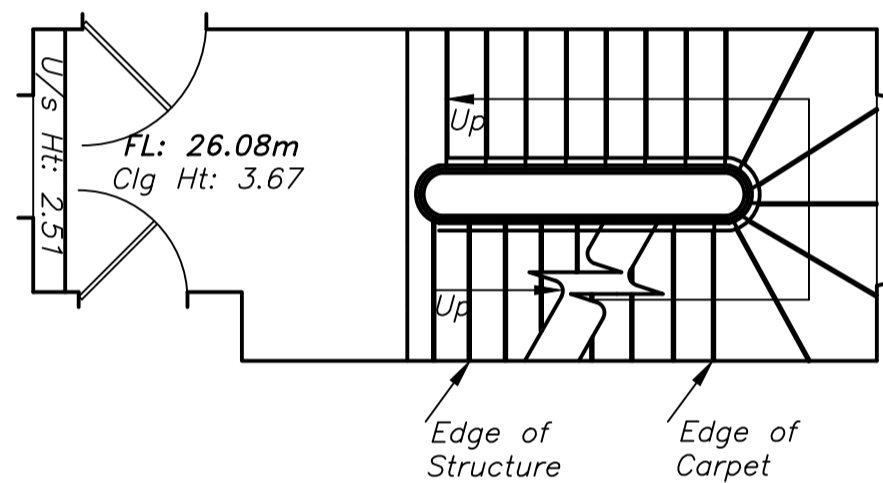
**Basement Floor Plan**

Scale 1:50 @ A1



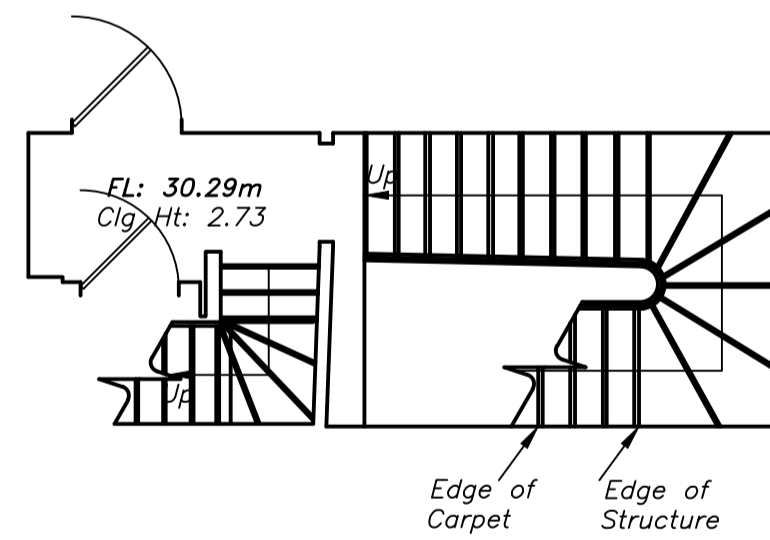
**Ground Floor Plan**

Scale 1:50 @ A1



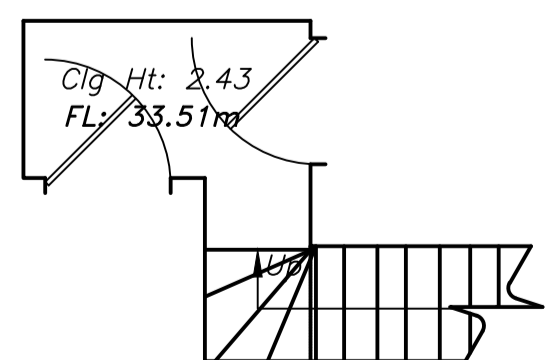
**First Floor Plan**

Scale 1:50 @ A1



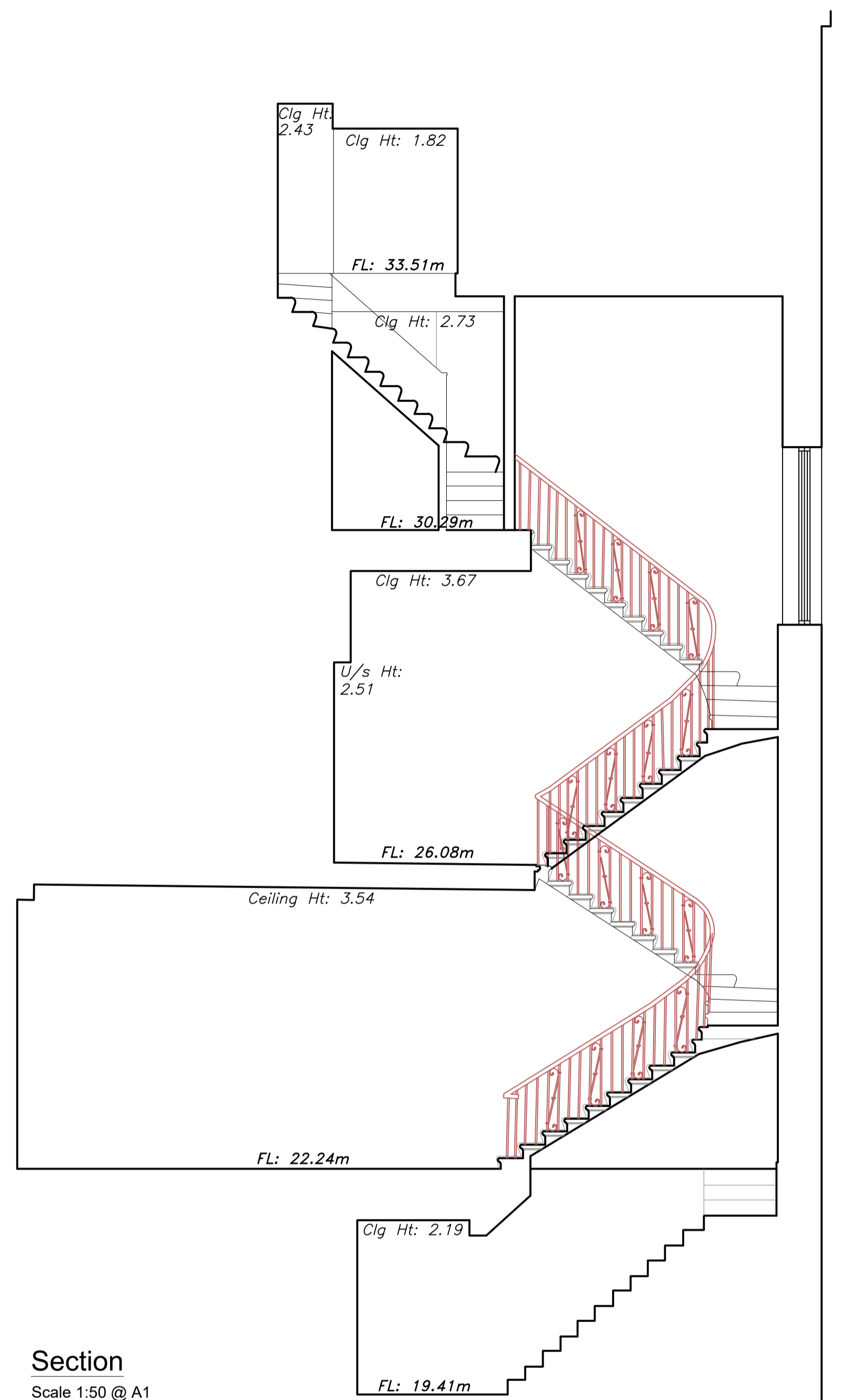
**Second Floor Plan**

Scale 1:50 @ A1



**Third Floor Plan**

Scale 1:50 @ A1



**Section**

Scale 1:50 @ A1



**Site Plan**

Scale 1:500 @ A1

1. THIS IS AN A1 DRAWING, IF REPRODUCED IN ANY OTHER FORMAT THE SCALE SHOWN WILL BE INCORRECT.
2. DO NOT SCALE OFF THIS DRAWING.
3. ANY AMBIGUITIES, OMISSIONS AND ERRORS, OR INCONSISTENCIES WITH OTHER DOCUMENTS, ON THIS DRAWING SHOULD BE NOTIFIED IMMEDIATELY TO THE ARCHITECT BEFORE THE COMMENCEMENT OF WORKS ON SITE.
4. ALL DIMENSIONS ARE IN MILLIMETRES UNLESS OTHERWISE STATED.
5. ALL DIMENSIONS, UNLESS OTHERWISE STATED, ARE TO THE FACE OF UNFINISHED MASONRY WALLS OR TO THE FINISHED PLASTER FACE OF STUD PARTITIONS.
6. ALL DIMENSIONS ARE TO BE CHECKED ON SITE. ANY DISCREPANCIES ARE TO BE NOTIFIED IMMEDIATELY TO THE ARCHITECT BEFORE THE COMMENCEMENT OF WORKS ON SITE.
7. ALL LEVELS ARE IN METRES UNLESS OTHERWISE STATED.
8. THIS DRAWING IS TO BE READ IN CONJUNCTION WITH ALL OTHER RELEVANT DRAWINGS AND SPECIFICATIONS FOR THIS PROJECT AND APPARENT INCONSISTENCIES BROUGHT TO THE ATTENTION OF THE ARCHITECT.

SAFETY, HEALTH AND ENVIRONMENTAL INFORMATION UNUSUAL SIGNIFICANT HAZARDS	
It is assumed that all works will be carried out by a competent contractor working, where appropriate, to an approved method statement. In addition to the hazards/risks normally associated with the types of work detailed on this drawing, note the following:	
Construction:	1. 2. 3.
Cleaning/Maintenance:	1. 2. 3.
Residual:	1. 2. 3.

Rev.	Date	Content	By	CP
P01	29.06.16	PLANNING ISSUE	JG	CP

**cbp architects**  
 44 The Ropewalk Nottingham NG1 5DW  
 t: 0115 9481144 f: 0115 9580976 w: cbp-arch.co.uk

Project  
 GOODENOUGH CLUB STAIRS SURVEY

Drawing Title  
 EXISTING STAIRS  
 HOUSE 22

Scale 1:50 / 500 Date 17.07.17  
 Drawn JG Checked CP

Drawing number 16010-A-2002 Revision P01