



68 Oxford Street, London W1D 1BN
Phone : +44 207 636 4636

DATE: 18.05.2017

267 CAMDEN HIGH ST
SIMIT SARAYI

PAFTA ADI/ SHEET TITLE
1/20 SIGNAGE DETAIL

PAFTA NO/ SHEET NO
SS.LONCAM.LP-G01

A.104.00

Drawn Interior
Architect Cansu AYRILMAZ

Architectural Confirm
Alev GÖNENCER

Operational Confirm
Erju MUSTAFA

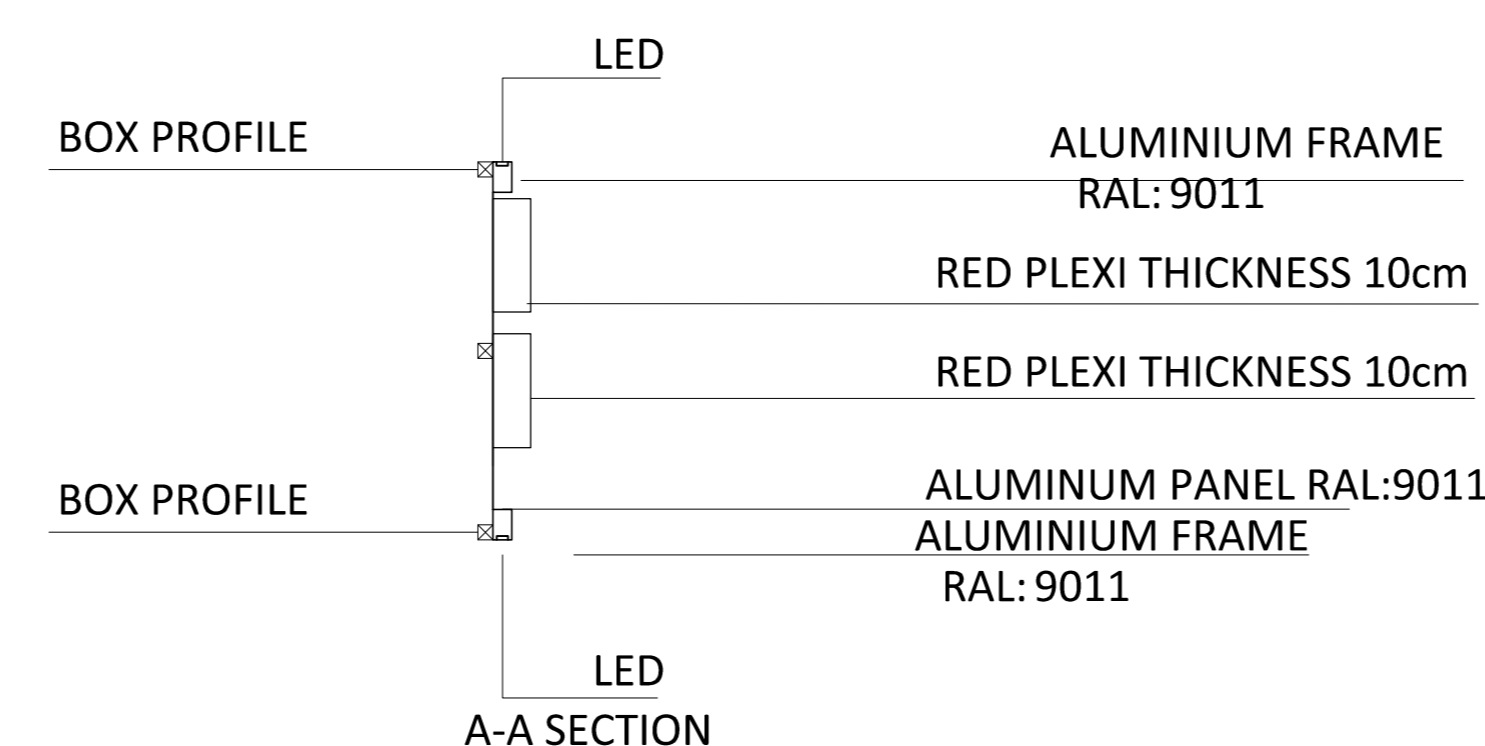
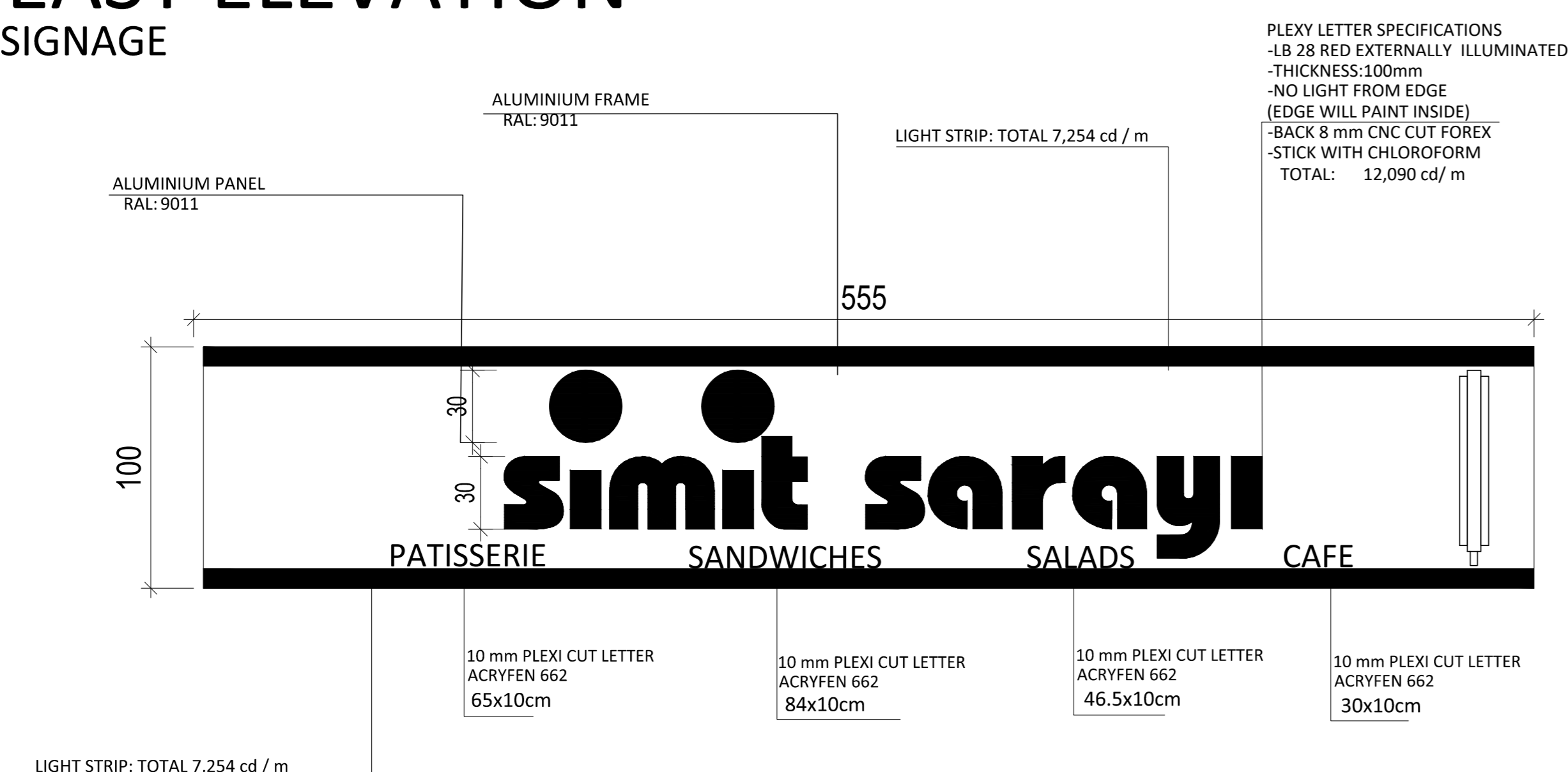
Director Confirm

Final Approval
Gino SOLAK

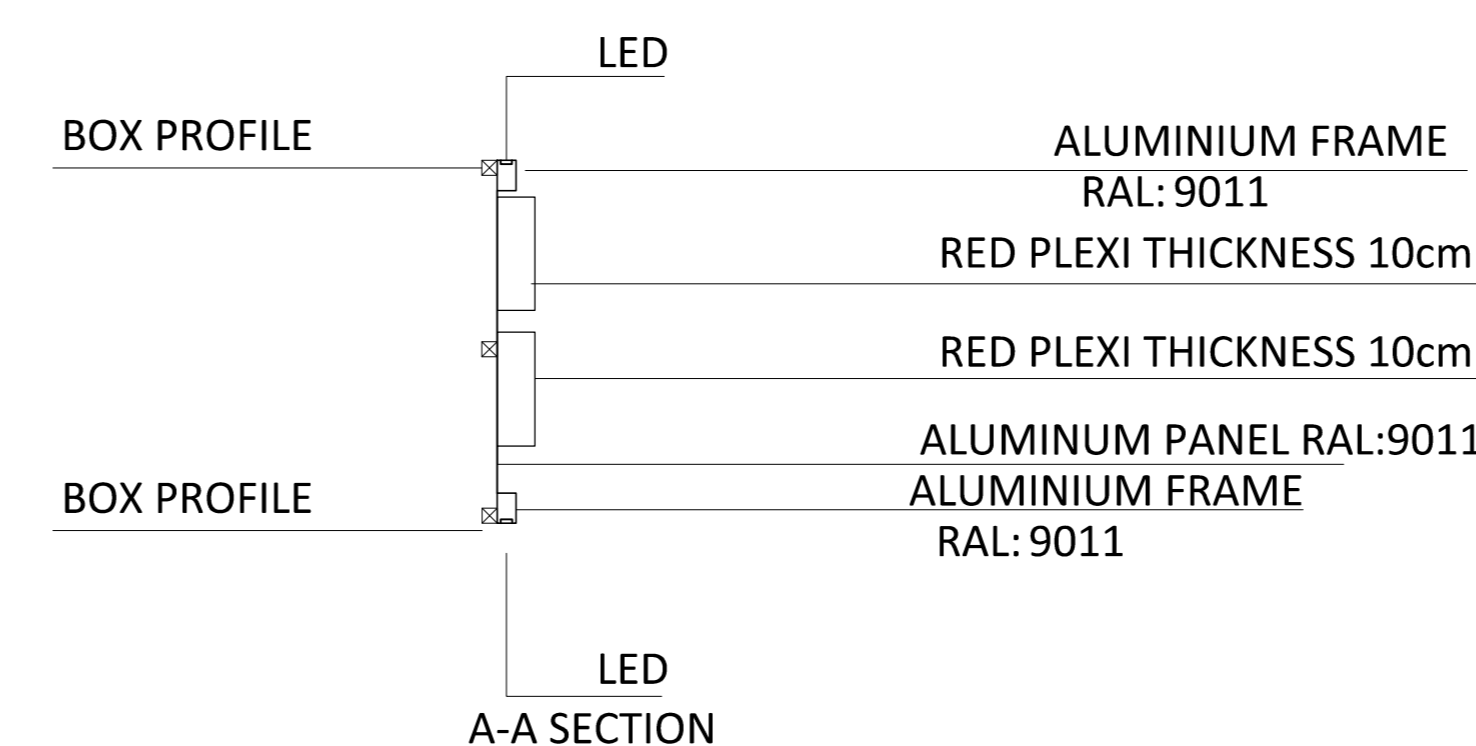
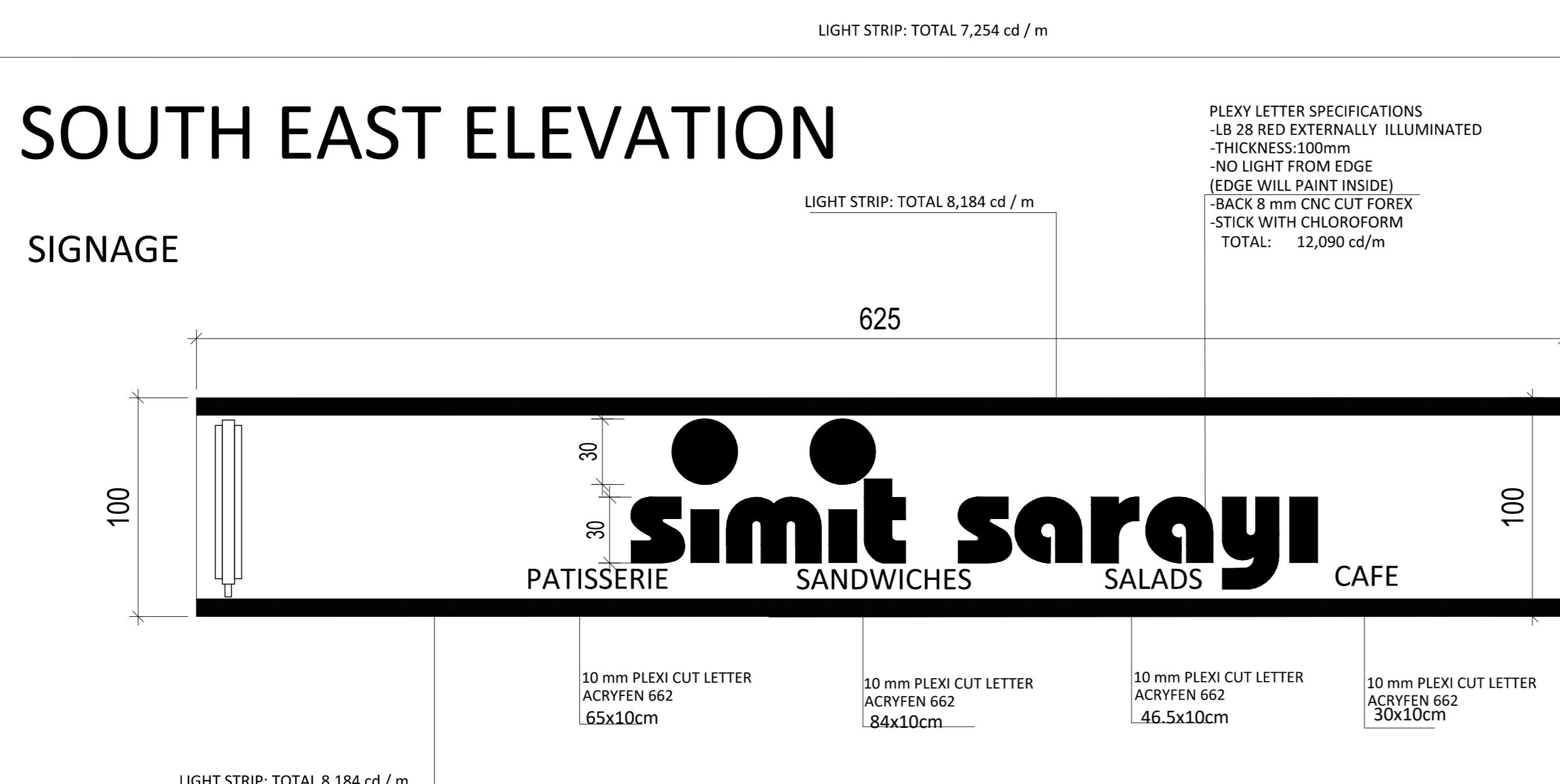
NOTES

- The dimensions will be checked on the site, so changes may occur on the drawings.
- This is not a "Construction Drawing". Cannot be used for application and manufacturing.
- For final manufactures, dimensions must be checked out on the site.

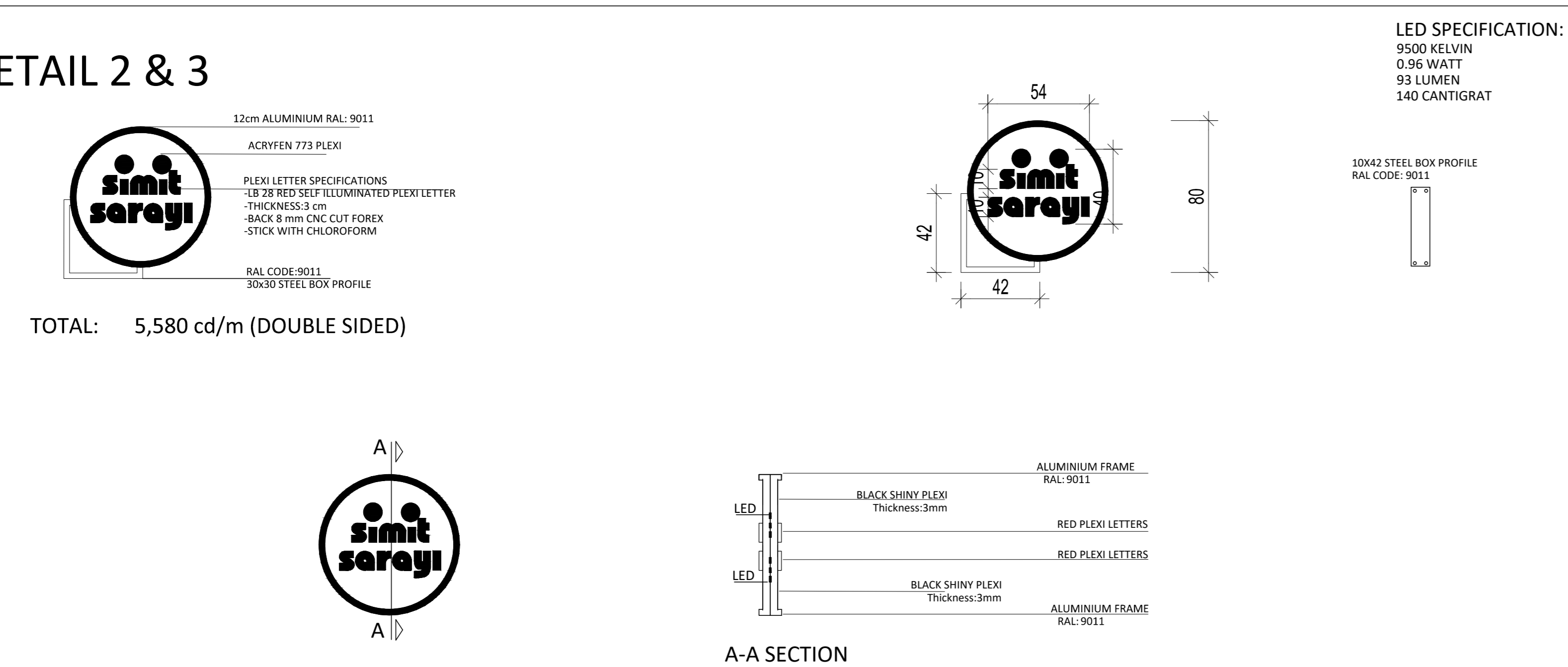
EAST ELEVATION SIGNAGE



SOUTH EAST ELEVATION SIGNAGE



DETAIL 2 & 3



All dimensions in cm
A0: 1/20