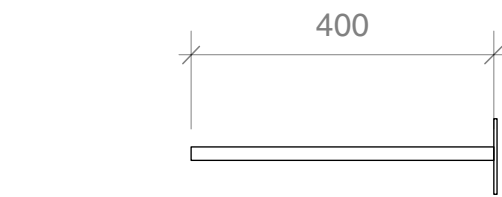


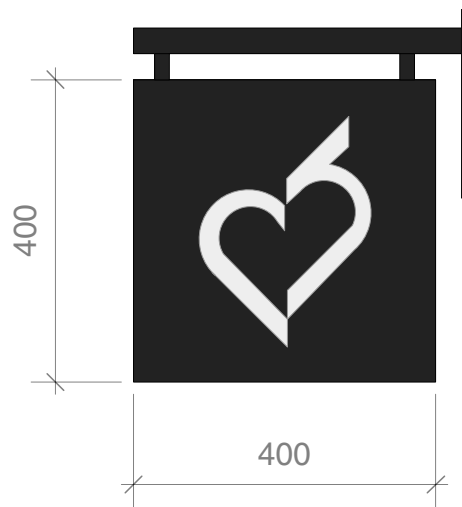
Axonometric drawing, (not to scale)

Materials and Finishes

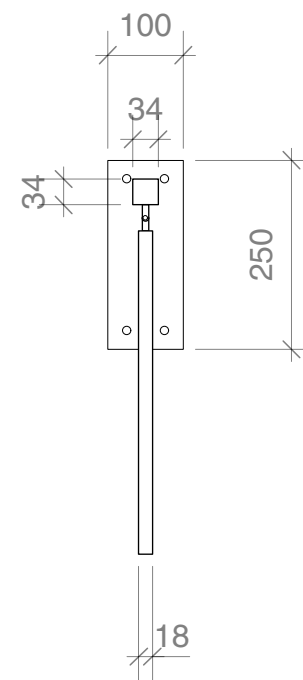
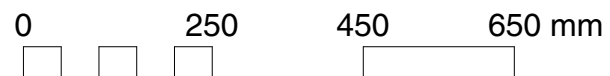
1. Stainless steel frame, powdercoated to match the colour of the sign.
2. Bolt and washers suitable for outdoor use and suitable to fix on the window surround.
3. Hinged fixing, Stainless steel, powdercoated to match the colour of the sign.
4. Sign, Heartcore logo, 18mm waterproof plywood, finished and treated for outdoor use.



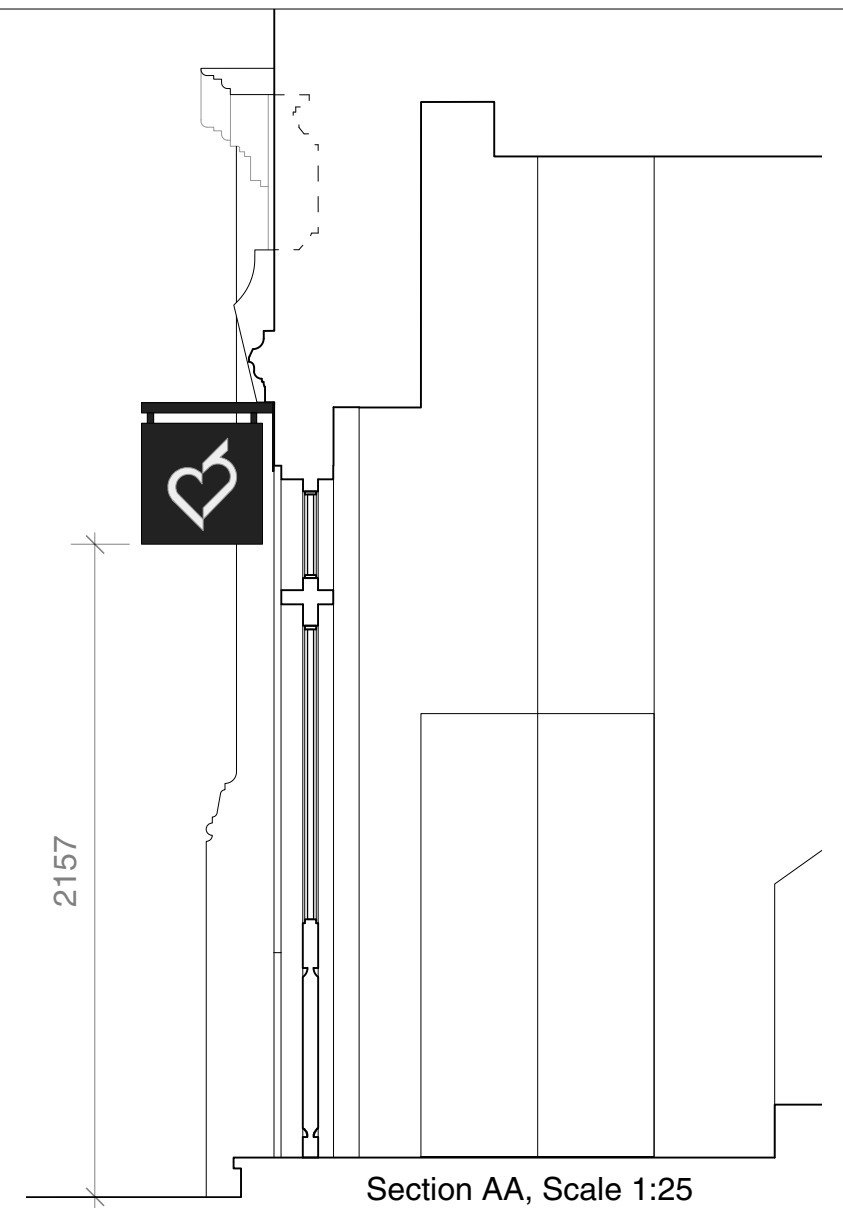
Plan, Scale 1:10



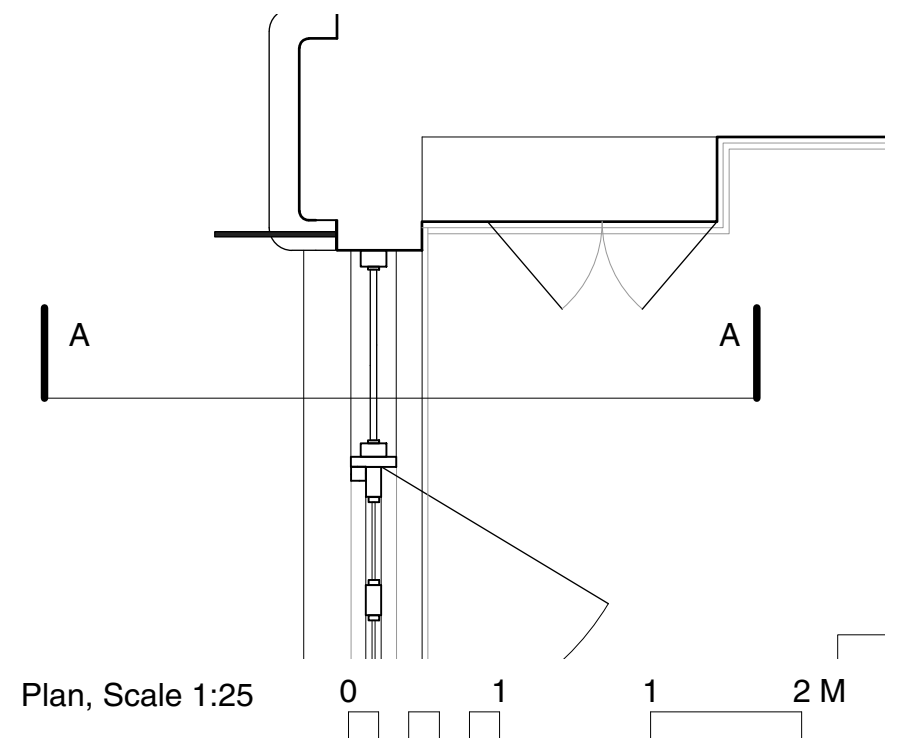
Front Elevation, Scale 1:10



Side Elevation, Scale 1:10



Section AA, Scale 1:25



Plan, Scale 1:25



HEARTCORE Fitness Ltd.
 7 Plaza Parade, Maida Vale,
 London NW6 5RP

PROJECT: 2017/2816/A - 50 Hampstead High Street - application for sign

SITE: 50 Hampstead High St, London NW3 1QG

SCALE AT A3: As stated @ A3
 PROJECT NO: 004

DATE: 01 / 08 / 2017
 DRAWING NO: 04a
 DRAWN: DK

CHECKED:
 REVISION:

REV: DESCRIPTION:

BY: DATE:

Notes:
 a - Reduced sign dimensions