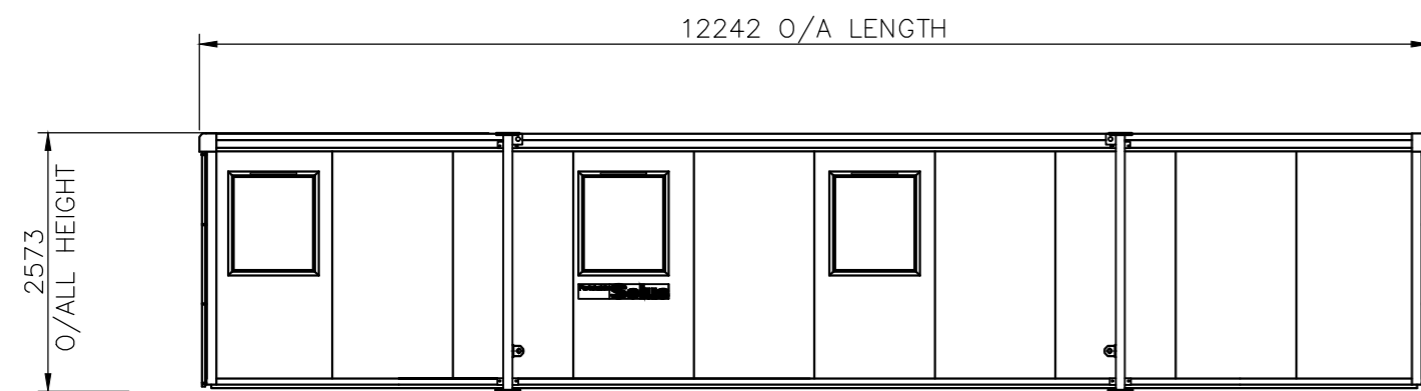
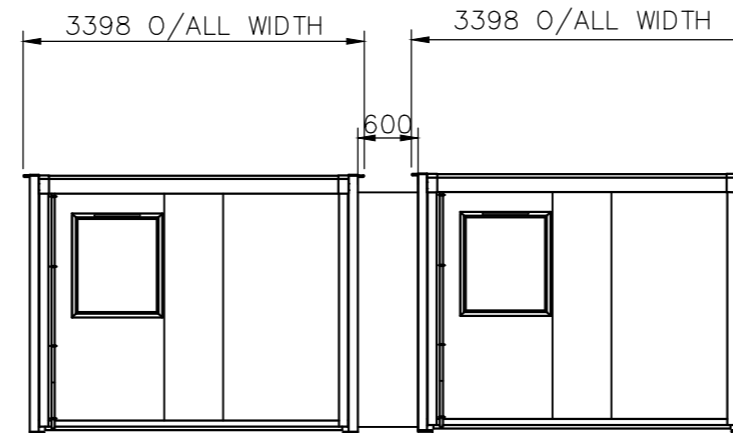


* NOTE O/ALL WIDTH FOR CONTINENTAL EUROPEAN BUILDINGS

DOOR & WINDOW POSITIONS MAY BE DIFFERENT TO THOSE SHOWN ON SPECIFIC CONTRACT DRAWINGS

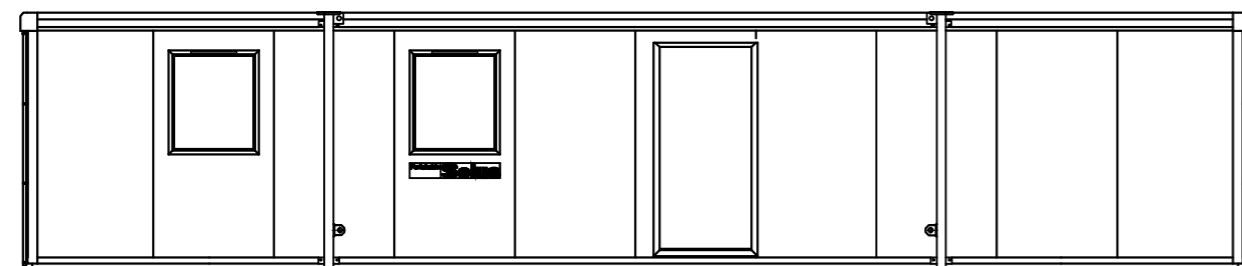


REAR ELEVATION

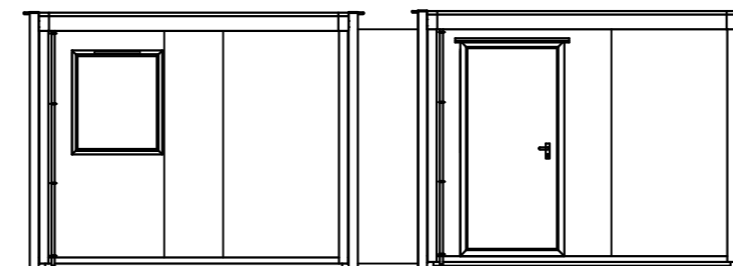


END ELEVATION

END ELEVATION



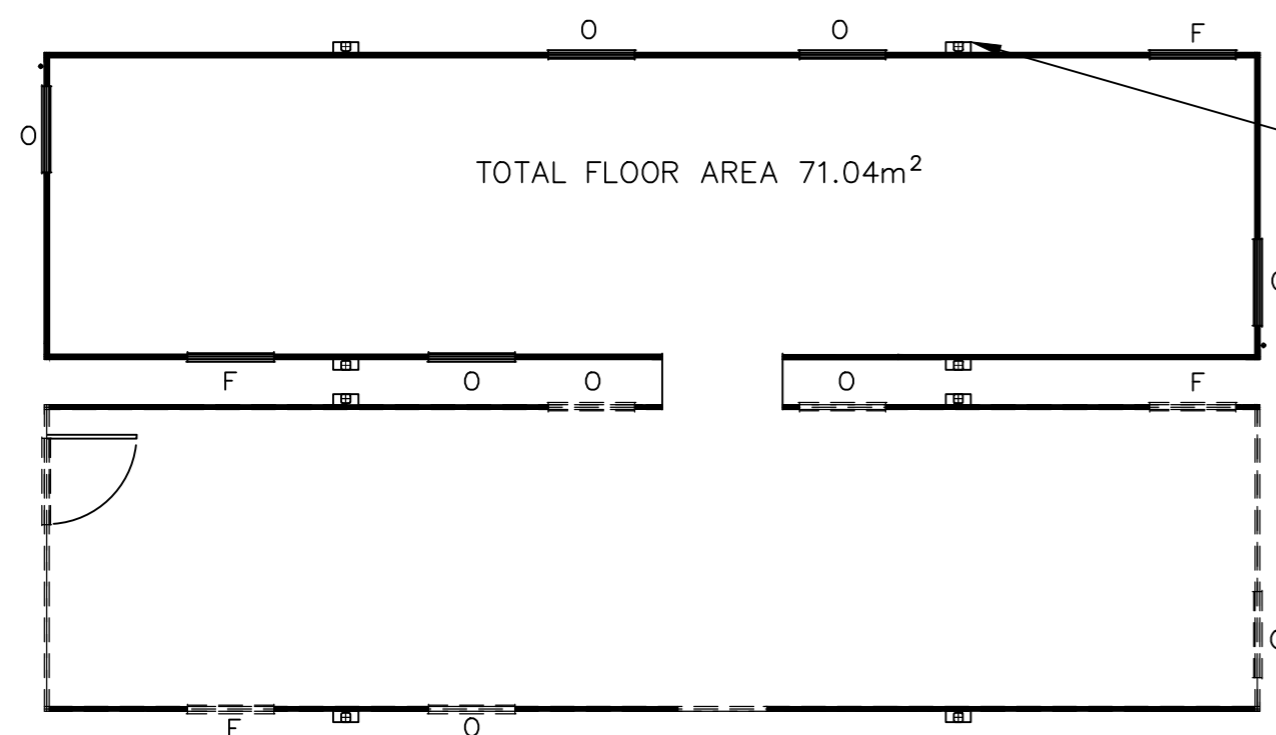
FRONT ELEVATION



END ELEVATION

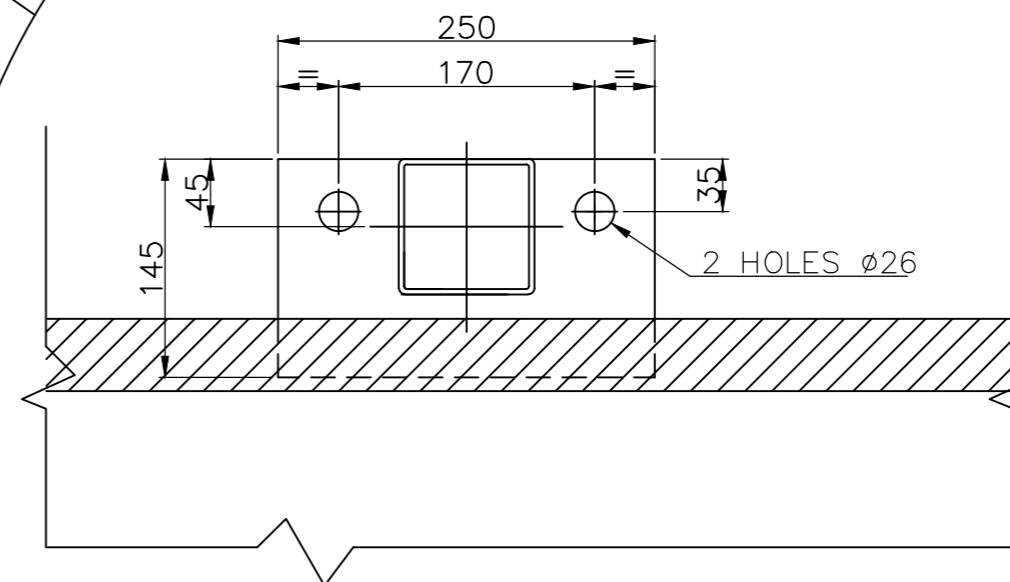
STANDARD COLOURS

- External : Wall Cladding, - Sales & Scottish Divisions - Albatross nearest BS ref. 18 B 17
 Fascia, Corner & Hire & European Divisions - Goosewing Grey nearest Bottom Wall Trims BS ref. 10 A 05
 Door leaf - Sales & Scottish Divisions - Britannia Blue nearest BS ref. 18 E 58
 - Hire - Merlin Grey nearest BS ref. 18 B 25
 - Portaloo & Events - Poppy Red nearest BS ref. 04 E 53
 - European Division - Goosewing Grey nearest BS ref. 10 A 05
 Door Frame - Silver Anodised Aluminium.
 Door Furniture - Manhattan Grey NCS S 2502-Y RAL-DS 080 70 05.
 Windows - Sales & Scottish Divisions - Britannia Blue nearest BS ref. 18 E 58
 - Hire - Grey nearest RAL 7042
 - Portaloo & Events - Blue Grey nearest BS ref. 18 B 29
 - European Divisions - Blue nearest RAL 5011
 - White nearest BS ref. 00 E 55
 - Grey to BS4800 ref. 10 A 05
 - Hot dipped galvanised



Roof
 Outer Legs
 Inner Legs

LEG BASEPLATE DETAIL PLAN VIEW



Portakabin Limited Huntington York YO32 9PT
 Telephone 01904 611655 Fax 01904 611644

Project PORTAKABIN SOLUS	
Client	
Title SPECIFICATION DRAWING SL122 LODASTRUT LEG OPTION	
Date 08.09.17	Drawn D.LILICO
Scale 1:75 & 1:50	
Drg. No. DQ2697	Rev.

KEY

- O OPEN WINDOW
 F FIXED WINDOW
 RWP RAIN WATER PIPE
 CU CONSUMER UNIT

FOUNDATIONS

Simple foundations of level hardstandings are required to be capable of taking the foundation design load at each foot position of 42kN, which includes the dead weight of the building, imposed floor load of 3kN/m², imposed roof load of 0.75kN/m², and a basic wind speed to meet the requirements of BS6399: Part 2.
 The foundations are to be designed in accordance with BS8004 with level tops of a tolerance of ±3mm.
 The area of ground under the building, plus a surrounding 500mm must be no higher than 50mm below the tops of the building foundations.

All buildings are to be anchored to the foundations via the baseplate using M20 anchor bolts, unless it can be established that no climatic or other forces are likely to be applied so as to exceed the intrinsic stability of the building in its unloaded state.
 All Lodastrut legs should be fully retracted onto the safety stops with the leg pins fitted through the outer legs and secured by the locking cotter.

It is recommended that professional advice is obtained for the design of the foundations.