

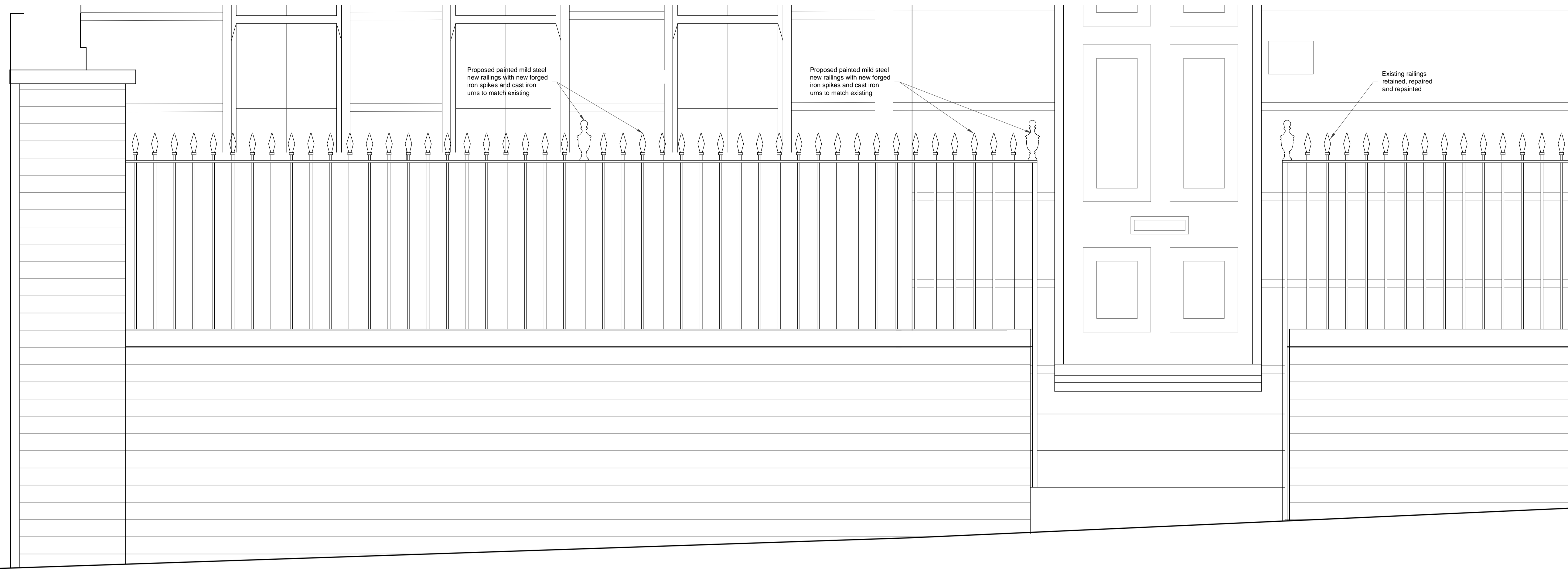
THIS DRAWING MUST BE READ IN CONJUNCTION WITH OTHER ARCHITECT'S, CONSULTANT'S, SUB-CONTRACTOR'S AND SPECIALIST DRAWINGS.

ALL DIMENSIONS ARE IN MILLIMETRES UNLESS STATED OTHERWISE.

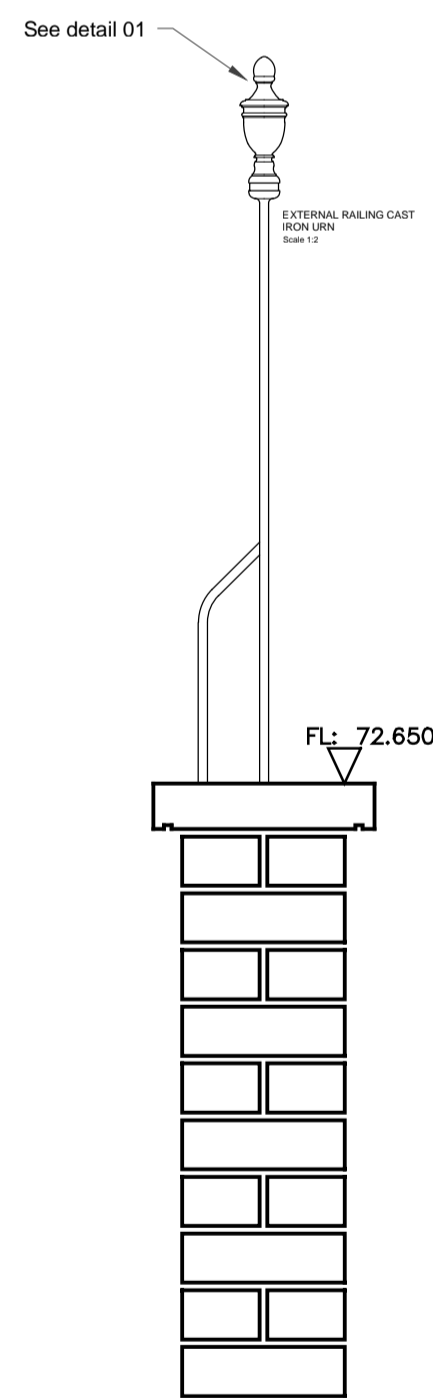
ALL DIMENSIONS ARE TO BE VERIFIED ON SITE AND CONFIRMED, BY THE CONTRACTOR, BEFORE COMMENCEMENT OF CONSTRUCTION.

IF THIS DRAWING EXCEEDS THE QUANTITIES TAKEN, IN ANY WAY, THE ARCHITECTS ARE TO BE INFORMED BEFORE THE WORK IS PUT IN HAND.

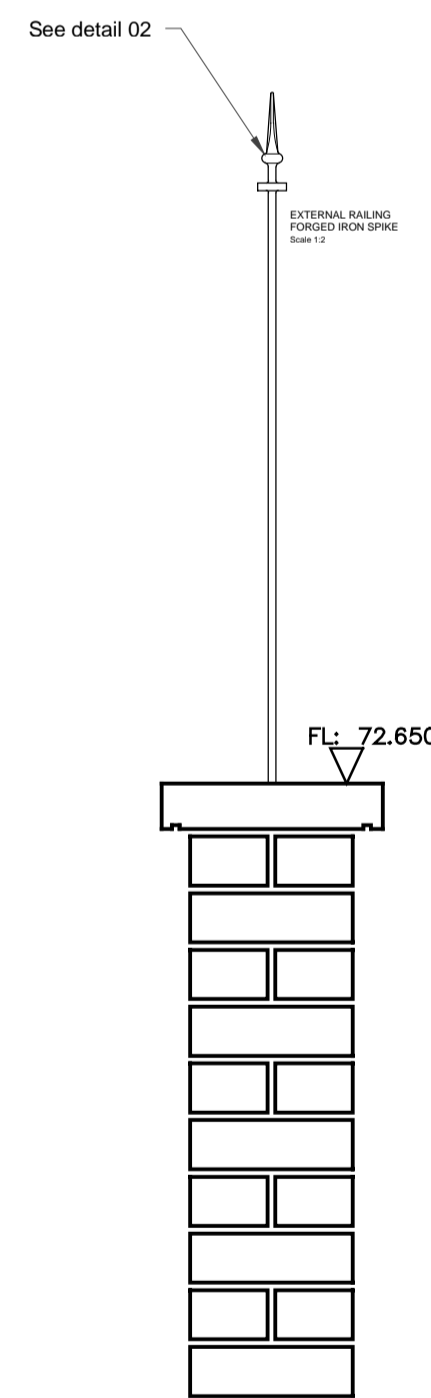
Rev	Date	Revision	By	Chk



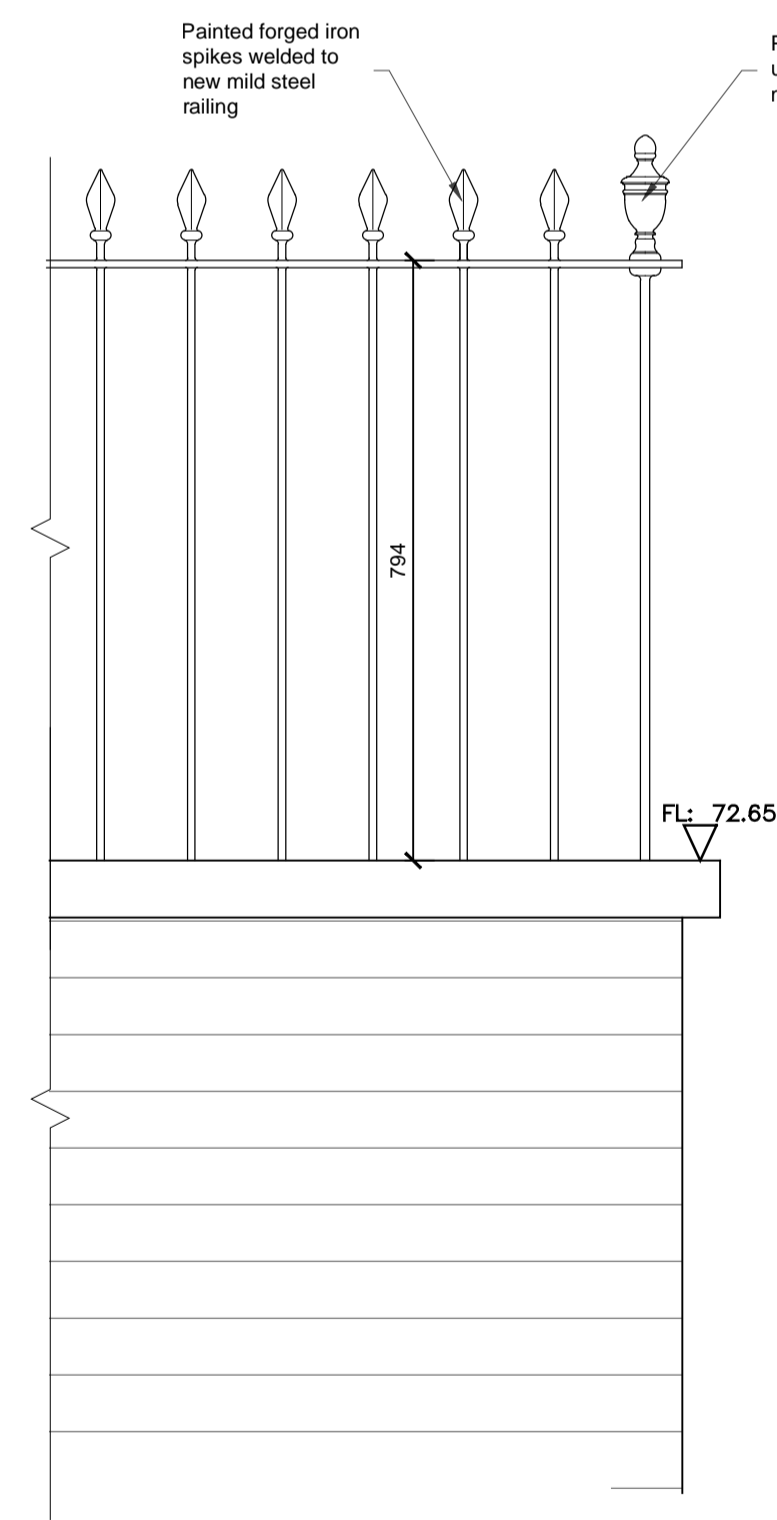
Section K-K
PROPOSED RAILINGS
TO STREET
Scale 1:10



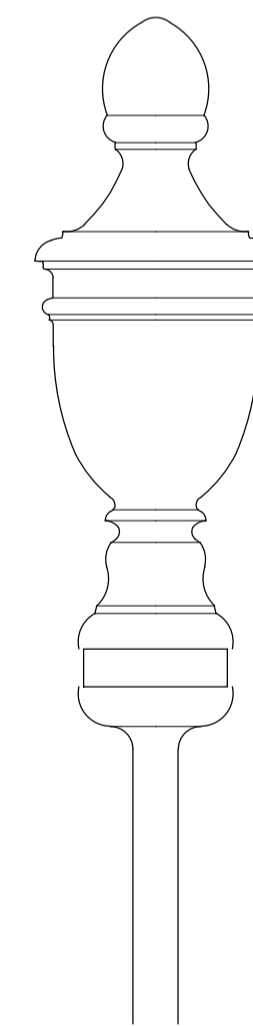
Section P-P
PROPOSED RAILINGS
TO STREET
Scale 1:10



Section Q-Q
PROPOSED RAILINGS
TO STREET
Scale 1:10

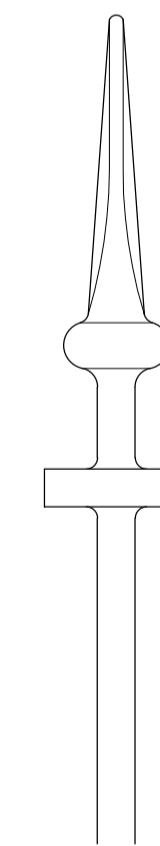


PROPOSED RAILINGS
TO STREET
Scale 1:10



EXTERNAL RAILING CAST
IRON URN
Scale 1:2

DETAIL 01



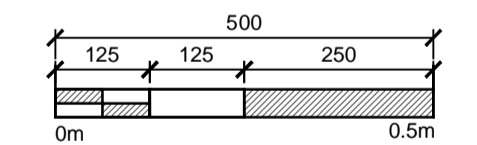
EXTERNAL RAILING
FORGED IRON SPIKE
Scale 1:2

DETAIL 02

PRELIMINARY

Notes

Text



GHK ARCHITECTS
Architects Designers Historic Building Specialists

Gilmore Hankey Kirke Limited ©
5 Port House, Square Rigger Row,
Plantation Wharf, London SW11 3TY

Tel: +44 (0)20 7471 8000

Email: mail@ghkarchitects.co.uk

Web: www.ghkarchitects.co.uk

Client

Mr. & Mrs Sinclair

Project Name

36 Downshire Hill

NW3 1NU

Drawing

Proposed External Railing Layout Plan

Sheet 3

Scale

1:10 @ A1

Drawn by

AM 22.08.2017

Checked by

Checked date

Project No.

Drawing No

Revision

HK 2227 SK13