

DATE RECEIVED: 04.07.17 **EPR** architects
 DATE RETURNED: 10.07.17
 INITIALED: MG

A: REVIEWED: NO COMMENTS
 B: REVIEWED: COMMENTS AS NOTED
 C: REVIEWED: UNACCEPTABLE RESUBMIT

The Architects review of this drawing is for the purposes of ascertaining conformity with the basic design concept profiles and general arrangement only. The review shall not be construed to mean that the Architect accepts the detail design and/or dimensions inherent in the drawing, responsibility for which remains with the sub-contractor. The sub-contractor is responsible for any errors or omissions in the drawing and for meeting all requirements of the Contract Documents.

FDKS signage required to both doors both sides - agree location on door with RSS & Epr.

COPYRIGHT Wellington Glazing Ltd. copyright in this drawing and any associated information appearing on it is the property of Wellington Glazing Ltd. and any reproduction, use or disclosure to any third party is prohibited unless expressly authorised by Wellington Glazing Ltd.

GENERAL NOTES:
 DO NOT SCALE - IF IN DOUBT ASK.

C	11-5-17	Amended to comments # sizes
B	4-5-17	Amended to comments
A	10-4-17	Amended to comments

Ref	Date	REVISION
-----	------	----------

DRAWING STATUS:
 ISSUED FOR-CONSTRUCTION

WELLINGTON
 Glazing Limited

Unit 11
 South Mundells,
 Welwyn Garden City,
 Herts, AL7 1EP
 Tel: 01707 800517
 Fax: 01707 229922

ARCHITECT:
 Russell Sage Studio

CONTRACTOR:
 Gariff Construction Ltd

JOB TITLE:
 Russell Hotel
 Russell Sq, London

DRAWING TITLE:
 Elevation of Entrance Doors

DRAWN: KAS CHECKED:

SCALE: Various DATE: 30-1-17

DRAWING NO: WG/1097-RUS-EO1 ISSUE: C

- SPECIFICATIONS:
- FRAME TYPE: VA-FIRE S-60/60
 - GLASS TYPE: FR Glass: 23mm thick Contraflam/Pyroguard (60/60)
 - FRAME FINISH: Polyester powder coated
 - COLOUR: RAL9005
 - FIRE RATING: EIGO (60/60)
 - INSTALL BY: Wellington Glazing Ltd.
 - IRONMONGERY: 1 No. Dorma TS93 surface closer to each leaf including selector
 Active pair of lever handles to 1st leaf & dummy handle to 2nd leaf
 3No. VN5046 surface hinges per leaf opening force requirements as AD Part M to be achieved
 1 No. 1828 latch lock to 1st leaf
 1 No. 1899-0203 bolt lock to 2nd leaf
 1 No. 9006 & 1895 top rod and latch to 2nd leaf
 Ironmongery colour matched to frame

Entrance Doors, viewed from pull side of doors
Glazed from opposite side
1 No. required as shown

Fanlights, mirrored to both sides with fire panel between
Doors & sidelights: FR glass lamianted to Cathedral glass
Kick panels: powder coated steel to both sides with fire
panel between

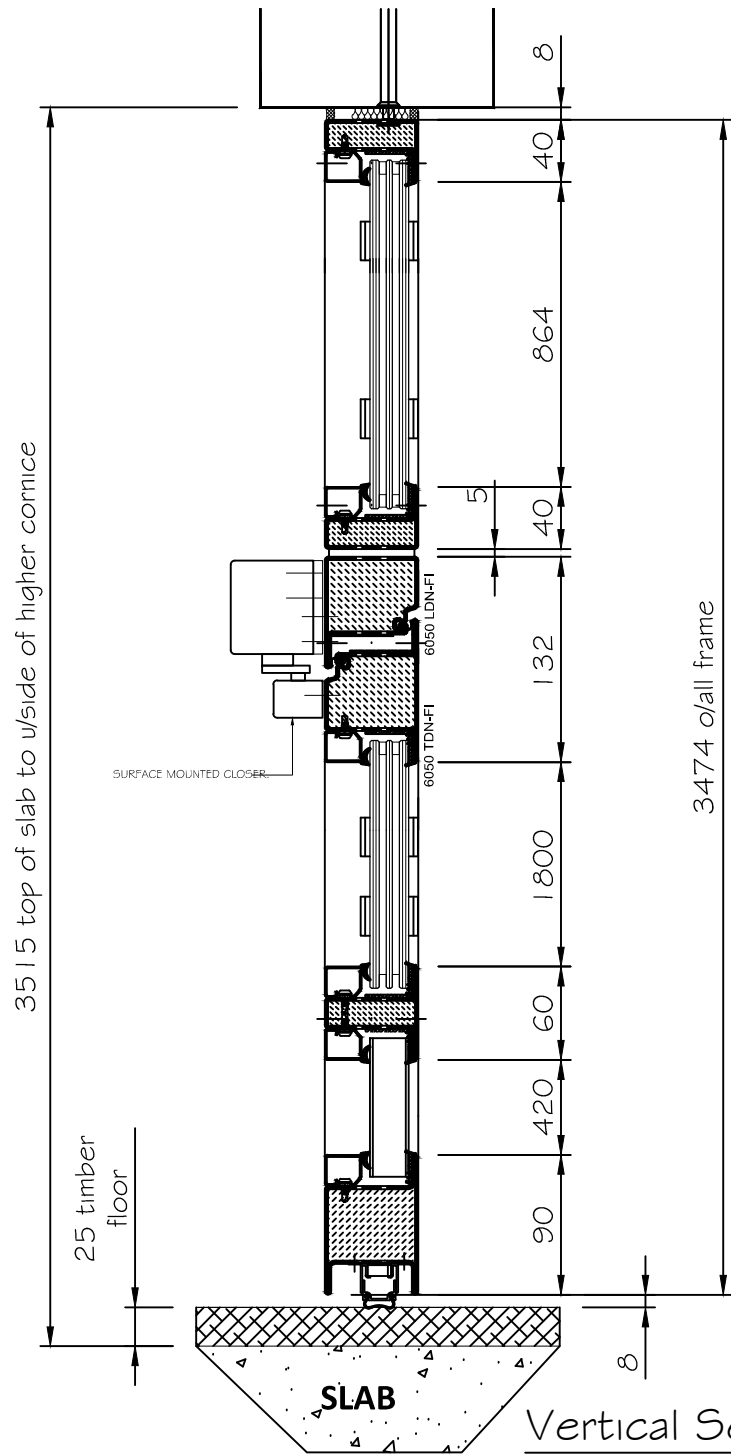
All glass Part M compliant and Part K
All door ironmongery Part M compliant

DATE RECEIVED: 04.07.17
 DATE RETURNED: 10.07.17
 INITIALLED: MG

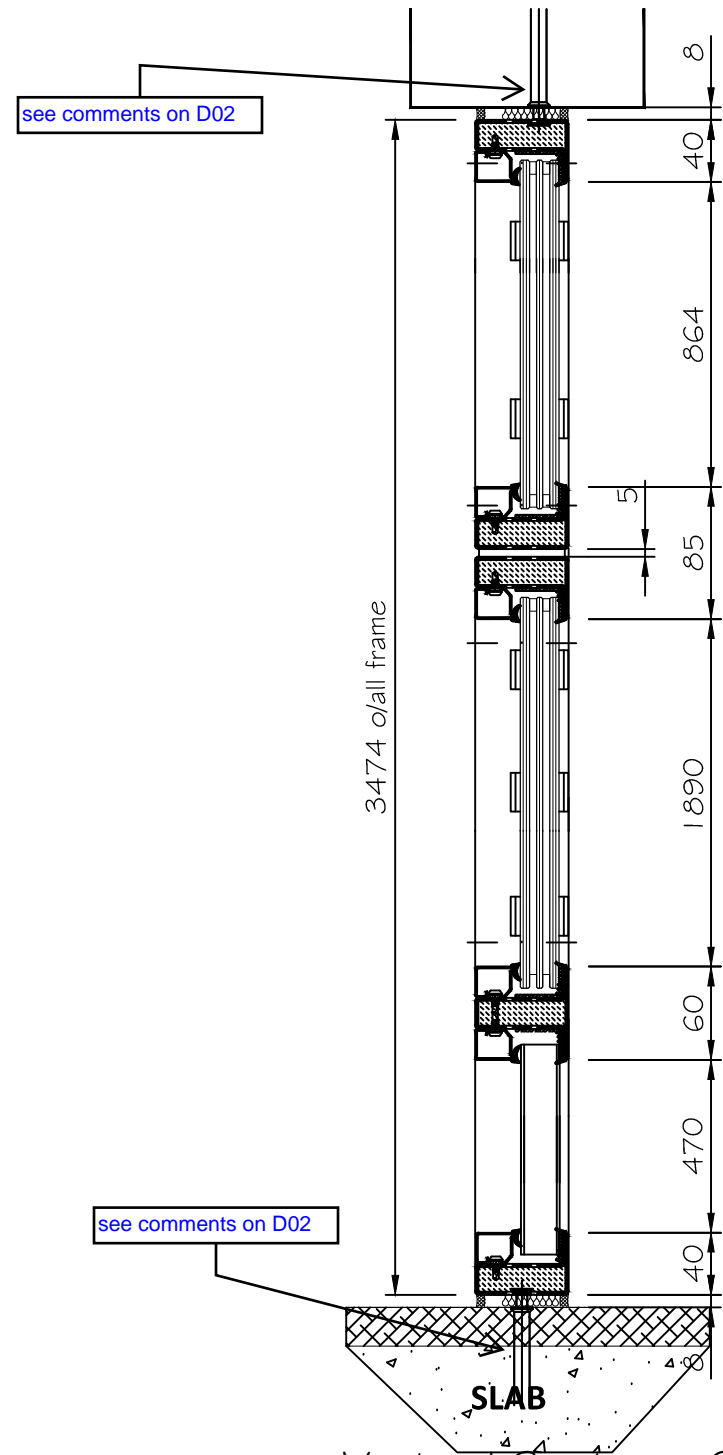


- A: REVIEWED: NO COMMENTS
- B: REVIEWED: COMMENTS AS NOTED
- C: REVIEWED: UNACCEPTABLE RESUBMIT

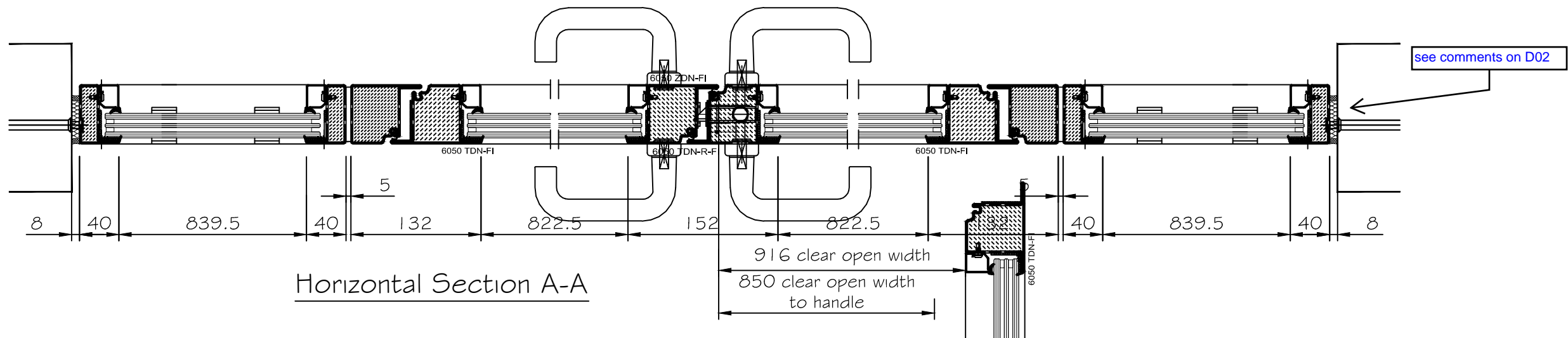
The Architects review of this drawing is for the purposes of ascertaining conformity with the basic design concept profiles and general arrangement only. The review shall not be construed to mean that the Architect accepts the detail design and/or dimensions inherent in the drawing, responsibility for which remains with the sub-contractor. The sub-contractor is responsible for any errors or omissions in the drawing and for meeting all requirements of the Contract Documents.



Vertical Sections B-B



Vertical Sections C-C



Horizontal Section A-A

COPYRIGHT Wellington Glazing Ltd. copyright in this drawing and any associated information appearing on it is the property of Wellington Glazing Ltd. and any reproduction, use or disclosure to any third party is prohibited unless expressly authorised by Wellington Glazing Ltd.

GENERAL NOTES:
 DO NOT SCALE - IF IN DOUBT ASK.

C	11-5-17	Amended to comments & sizes
B	4-5-17	Amended to comments
A	10-4-17	Amended to comments

Ref Date REVISION

DRAWING STATUS:
 ISSUED FOR-CONSTRUCTION

WELLINGTON
 Glazing Limited

Unit 23
 South Mundells,
 Welwyn Garden City,
 Herts, AL7 1EP
 Tel: 01707 800517
 Fax: 01707 229922

ARCHITECT:
 Russell Sage Studio

CONTRACTOR:
 Gariff Construction Ltd

JOB TITLE:
 Russell Hotel
 Russell Square, London

DRAWING TITLE:
 Door section details

DRAWN: KAS CHECKED:

SCALE: Various DATE: 31-1-17

DRAWING NO: WG/1097-RUS-DO1 ISSUE: C

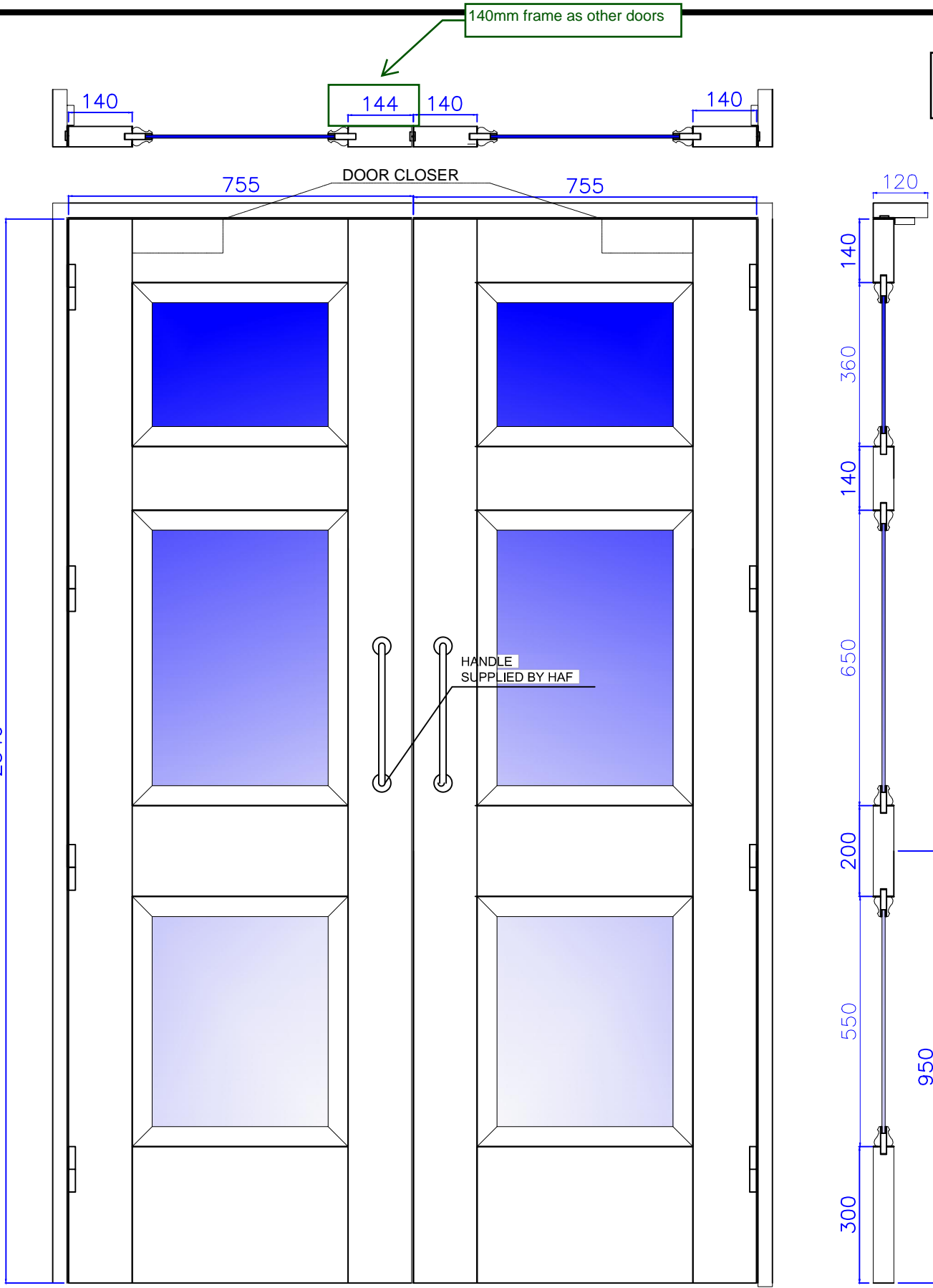
Epr comments:
 Mouldings and frame widths to match other GF doors - refer to Edmonds door drawings.
 Architraves by others - finish will need to match.
 Fire seals also required at base of door?
 Refer latest HAF schedule to ensure any recessed ironmongery is allowed for e.g. recessed door closers, lock barrels, electronic locking etc
 Doors within existing openings to be site measured.
 Test certificates required at completion for new fire door sets.
 Refer to previous finishes comments from RSS 31.03.17

FINISH IS STAINED 2 COATS
 EUROPEAN OAK (FSC)
 IRONMONGERY & HINGES SUPPLIED
 AND FITTED BY OTHERS.

DATE RECEIVED: 12.04.17 **EPR** architects
 DATE RETURNED: 20.04.17
 INITIALED: MG

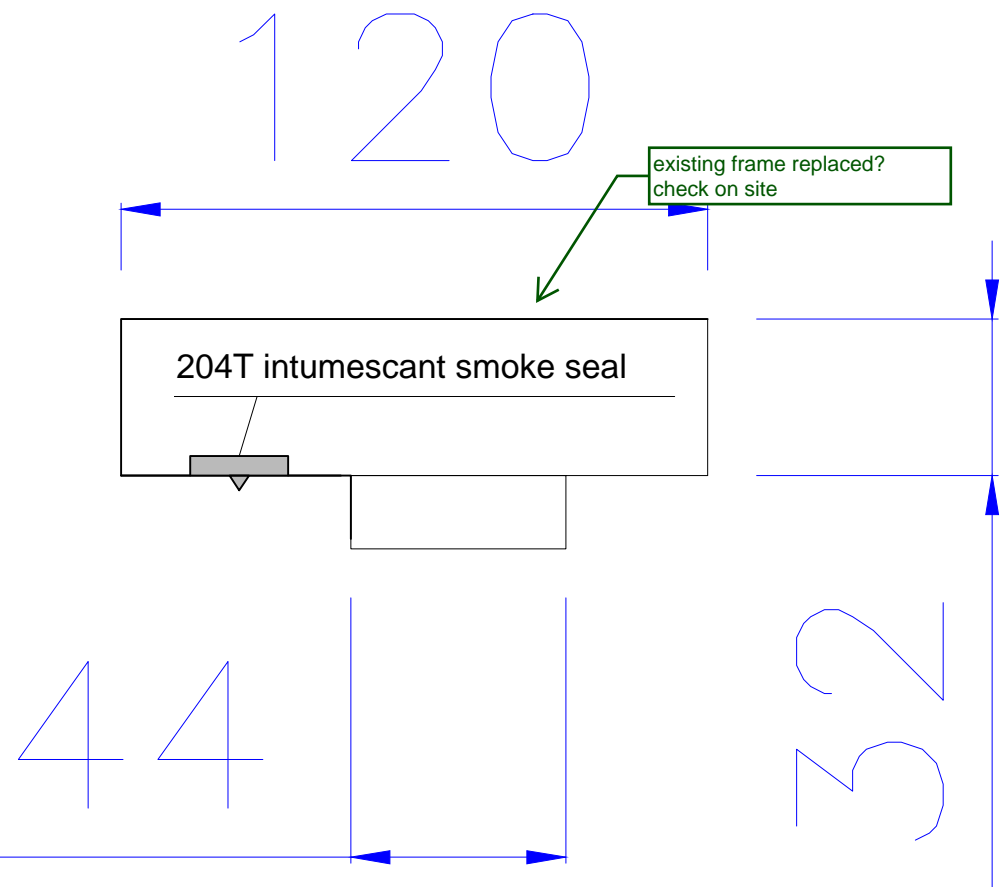
- A: REVIEWED: NO COMMENTS
- B: REVIEWED: COMMENTS AS NOTED
- C: REVIEWED: UNACCEPTABLE RESUBMIT

The Architects review of this drawing is for the purposes of ascertaining conformity with the basic design concept profiles and general arrangement only. The review shall not be construed to mean that the Architect accepts the detail design and/or dimensions inherent in the drawing, responsibility for which remains with the sub-contractor. The sub-contractor is responsible for any errors or omissions in the drawing and for meeting all requirements of the Contract Documents.



G10 side to be finished to match other Edmonds doors

MOULDING IS INDICATIVE AS WE HAVE NOT BEEN SUPPLIED RELEVANT INFORMATION (TBC).



DG.10.02 NR

Title: **The Russell Hotel DG10.02**

LONGDEN
 INDIVIDUALLY CRAFTED DOORS
 55 Parkwood Road, Sheffield, Soth Yorkshire, S3 8AH
 tel: 0114 270 6330 fax: 0114 270 6331
 email: enquiries@longdendoors.co.uk

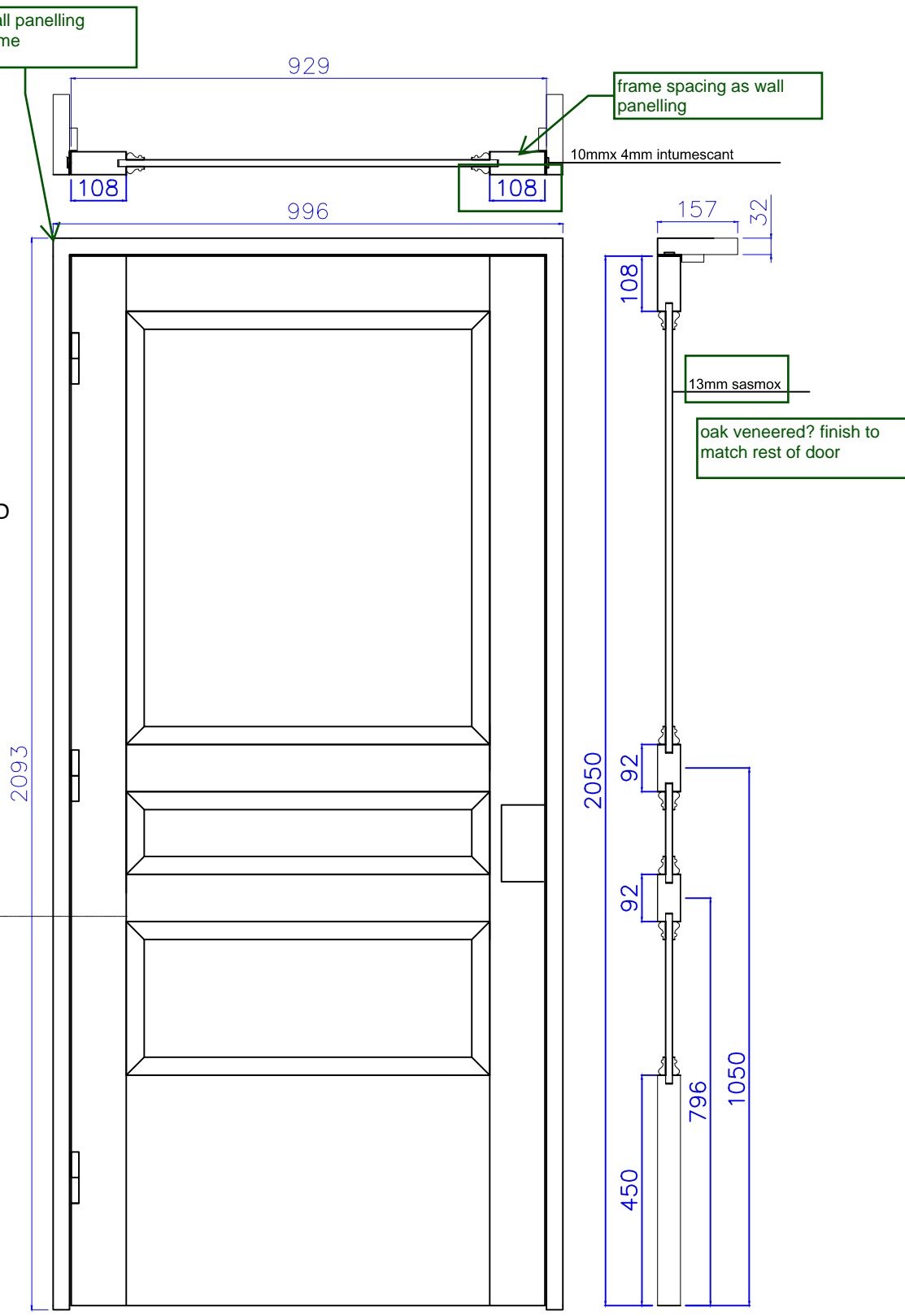
Creator:	GARRY LISTER
Checked:	
First Issue:	Scale:
Job Number	14364
REV	B

Epr comments:
 Mouldings and frame widths to match other GF doors - refer to Edmonds door drawings.
 Architraves by others - finish will need to match.
 Fire seals also required at base of door?
 Refer latest HAF schedule to ensure any recessed ironmongery is allowed for e.g. recessed door closers, lock barrels, electronic locking etc
 Doors within existing openings to be site measured.
 Test certificates required at completion for new fire door sets.
 Refer to previous finishes comments from RSS 31.03.17

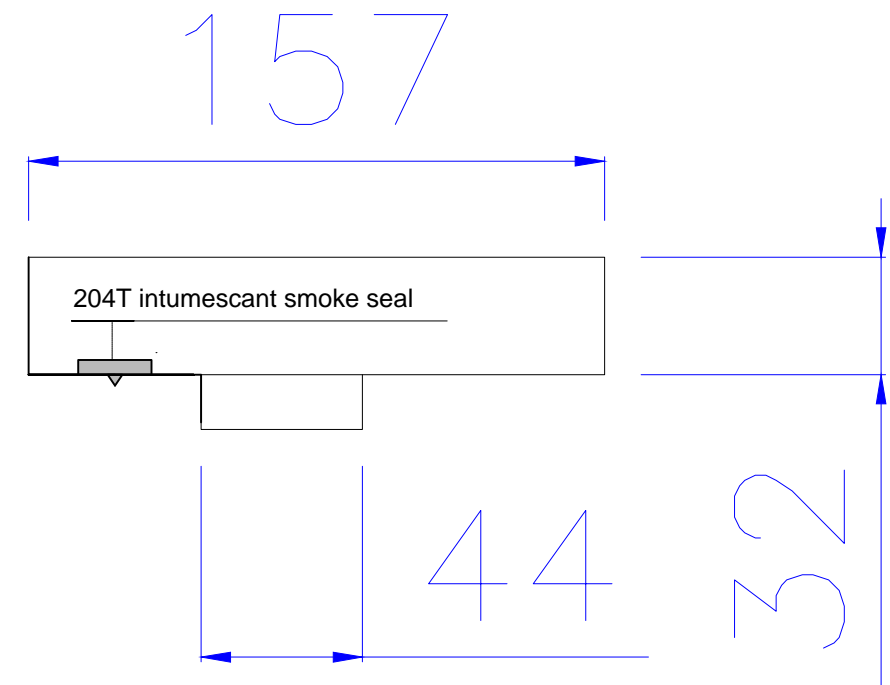
FINISH IS STAINED 2 COATS
 EUROPEAN OAK (FSC)
 IRONMONGERY & HINGES SUPPLIED
 AND FITTED BY OTHERS.
 ARCHITRAVE BY OTHERS

and alignment with adjacent existing wall panelling

OVERALL MOULDING DETAIL TO FOLLOW WALL PANELLING ,STILL AWAITING INFORMATION.



MOULDING IS INDICATIVE AS WE HAVE NOT BEEN SUPPLIED
 RELEVANT INFORMATION (TBC).



DATE RECEIVED: 12.04.17
 DATE RETURNED: 20.04.17
 INITIALLED: MG



- A: REVIEWED: NO COMMENTS
- B: REVIEWED: COMMENTS AS NOTED
- C: REVIEWED: UNACCEPTABLE RESUBMIT

The Architects review of this drawing is for the purposes of ascertaining conformity with the basic design concept profiles and general arrangement only. The review shall not be construed to mean that the Architect accepts the detail design and/or dimensions inherent in the drawing, responsibility for which remains with the sub-contractor. The sub-contractor is responsible for any errors or omissions in the drawing and for meeting all requirements of the Contract Documents.

DG13.01 FD30 S

Title: THE RUSSELL HOTEL DG13.01

Creator: Garry Lister	
Checked:	
First Issue:	Scale:
Job Number 14364	REV B

Epr comments:

Mouldings and frame widths to match other GF doors - refer to Edmonds door drawings.

Architraves by others - finish will need to match.

Fire seals also required at base of door?

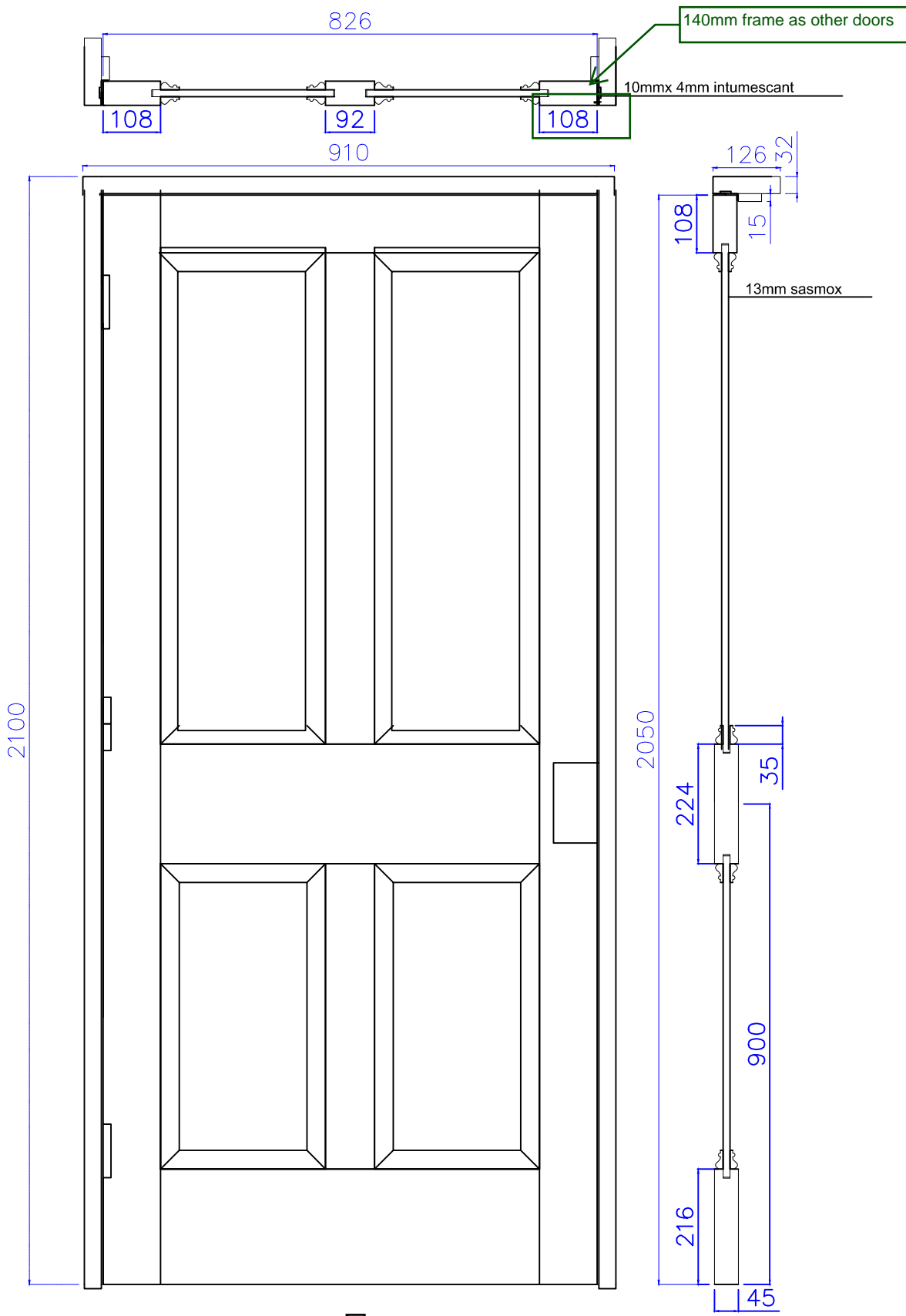
Refer latest HAF schedule to ensure any recessed ironmongery is allowed for e.g. recessed door closers, lock barrels, electronic locking etc

Doors within existing openings to be site measured.

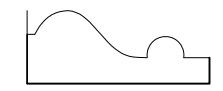
Test certificates required at completion for new fire door sets.

Refer to previous finishes comments from RSS 31.03.17

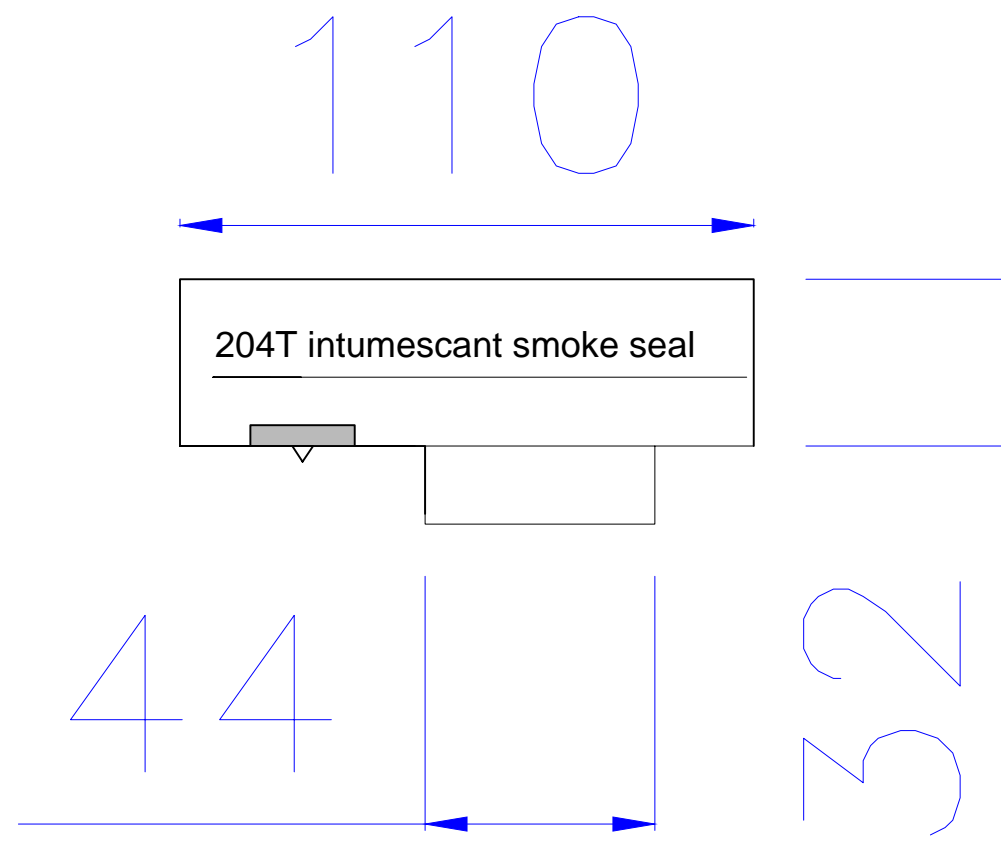
PAINTED 2 COATS PRIMMED
 SAPELE (FSC)
 IRONMONGERY & HINGES SUPPLIED
 AND FITTED BY OTHERS.
 ARCHITRAVE BY OTHERS



DG14.02 FD30 S



MOULDING IS INDICATIVE AS WE HAVE NOT BEEN SUPLIED
 RELAVENT INFORMATION (TBC).



DATE RECEIVED: 12.04.17 **EPR**
 architects
 DATE RETURNED: 20.04.17
 INITIALLED: MG

- A: REVIEWED: NO COMMENTS
- B: REVIEWED: COMMENTS AS NOTED
- C: REVIEWED: UNACCEPTABLE RESUBMIT

The Architects review of this drawing is for the purposes of ascertaining conformity with the basic design concept profiles and general arrangement only. The review shall not be construed to mean that the Architect accepts the detail design and/or dimensions inherent in the drawing, responsibility for which remains with the sub-contractor. The sub-contractor is responsible for any errors or omissions in the drawing and for meeting all requirements of the Contract Documents.

Title: **THE RUSSELL HOTEL DG14.02**


LONGDEN
 INDIVIDUALLY CRAFTED DOORS
 55 Parkwood Road, Sheffield, Soth Yorkshire, S3 8AH
 tel: 0114 270 6330 fax: 0114 270 6331
 email: enquiries@longdendoors.co.uk

Creator: Garry lister	
Checked:	
First Issue:	Scale:
Job Number 14364	REV B

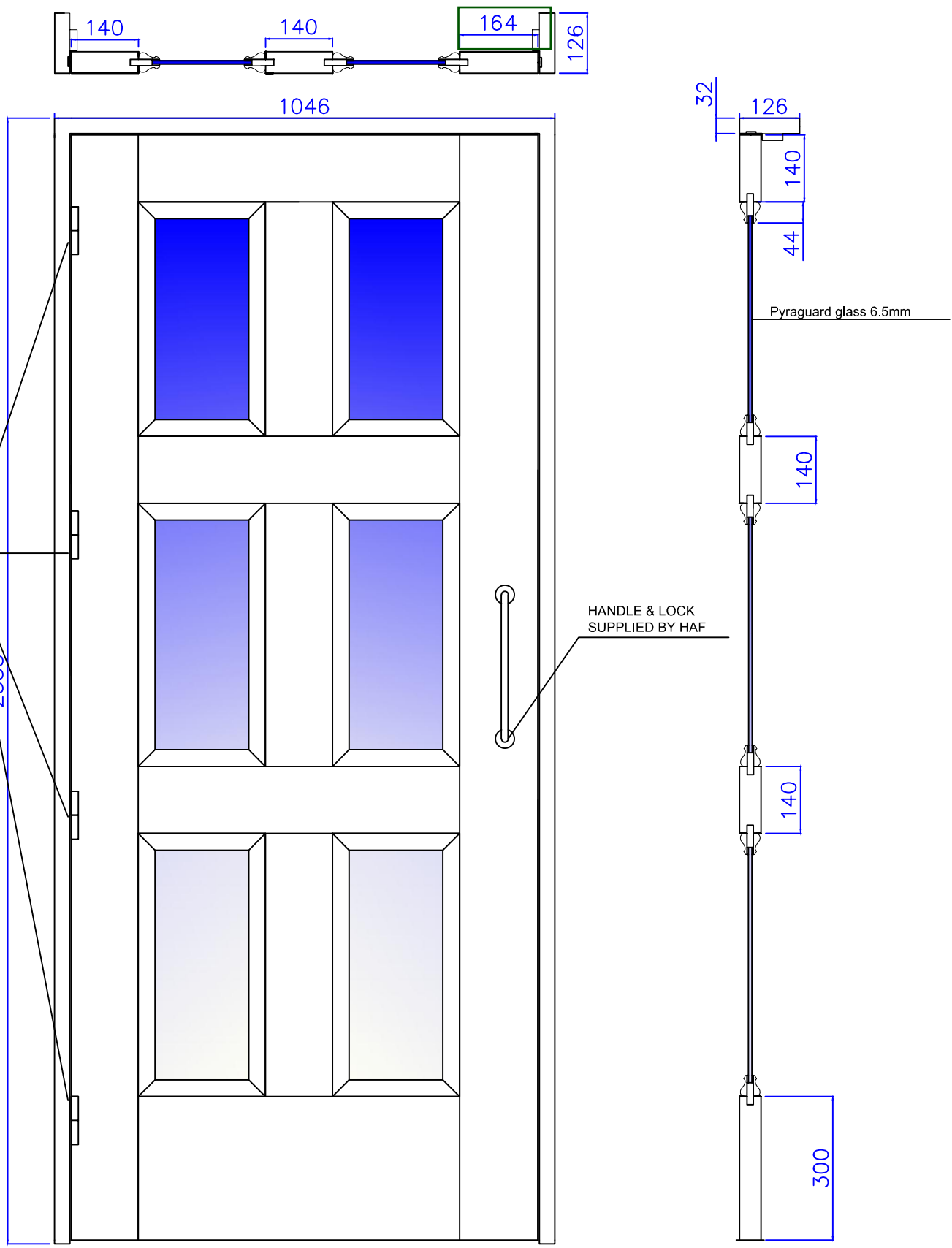
Epr comments:
 Mouldings and frame widths to match other GF doors - refer to Edmonds door drawings.
 Architraves by others - finish will need to match.
 Fire seals also required at base of door?
 Refer latest HAF schedule to ensure any recessed ironmongery is allowed for e.g. recessed door closers, lock barrels, electronic locking etc
 Doors within existing openings to be site measured.
 Test certificates required at completion for new fire door sets.
 Refer to previous finishes comments from RSS 31.03.17

PAINTED 2 COATS PRIMMED
 SAPELE (FSC)
 IRONMONGERY & HINGES SUPPLIED
 AND FITTED BY OTHERS.

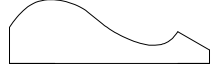
FREE ISSUE HINGES

ARCHITRAVE BY OTHERS

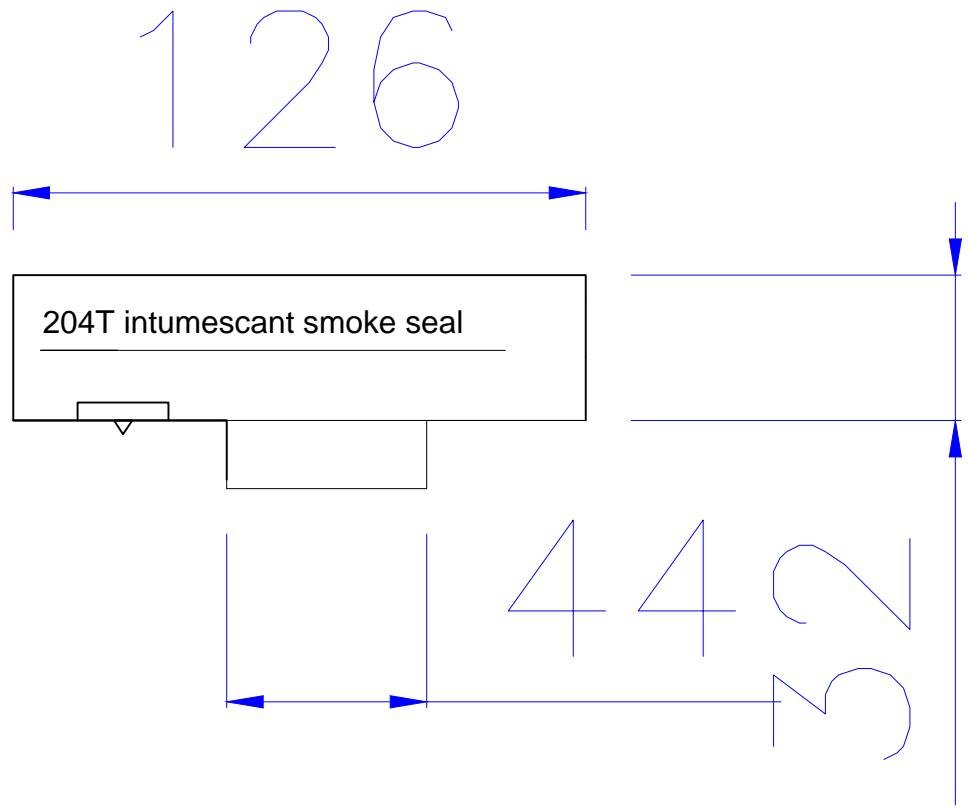
140mm frame as other doors



G10 side to be finished to match other Edmonds doors



MOULDING IS INDICATIVE AS WE HAVE NOT BEEN SUPPLIED
 RELEVANT INFORMATION (TBC).



DATE RECEIVED: 12.04.17
 DATE RETURNED: 20.04.17
 INITIALLED: MG



- A: REVIEWED: NO COMMENTS
- B: REVIEWED: COMMENTS AS NOTED
- C: REVIEWED: UNACCEPTABLE RESUBMIT

The Architects review of this drawing is for the purposes of ascertaining conformity with the basic design concept profiles and general arrangement only. The review shall not be construed to mean that the Architect accepts the detail design and/or dimensions inherent in the drawing, responsibility for which remains with the sub-contractor. The sub-contractor is responsible for any errors or omissions in the drawing and for meeting all requirements of the Contract Documents.

DG.15.01FD30 S

Title: The Russell Hotel



55 Parkwood Road, Sheffield, Soth Yorkshire, S3 8AH
 tel: 0114 270 6330 fax: 0114 270 6331
 email: enquiries@longdendoors.co.uk

Creator: Garry Lister

Checked:

First Issue: Scale:

Job Number
 14365

REV
 B

Epr comments:

Mouldings and frame widths to match other GF doors - refer to Edmonds door drawings.

Architraves by others - finish will need to match.

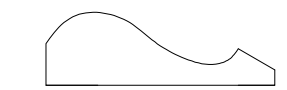
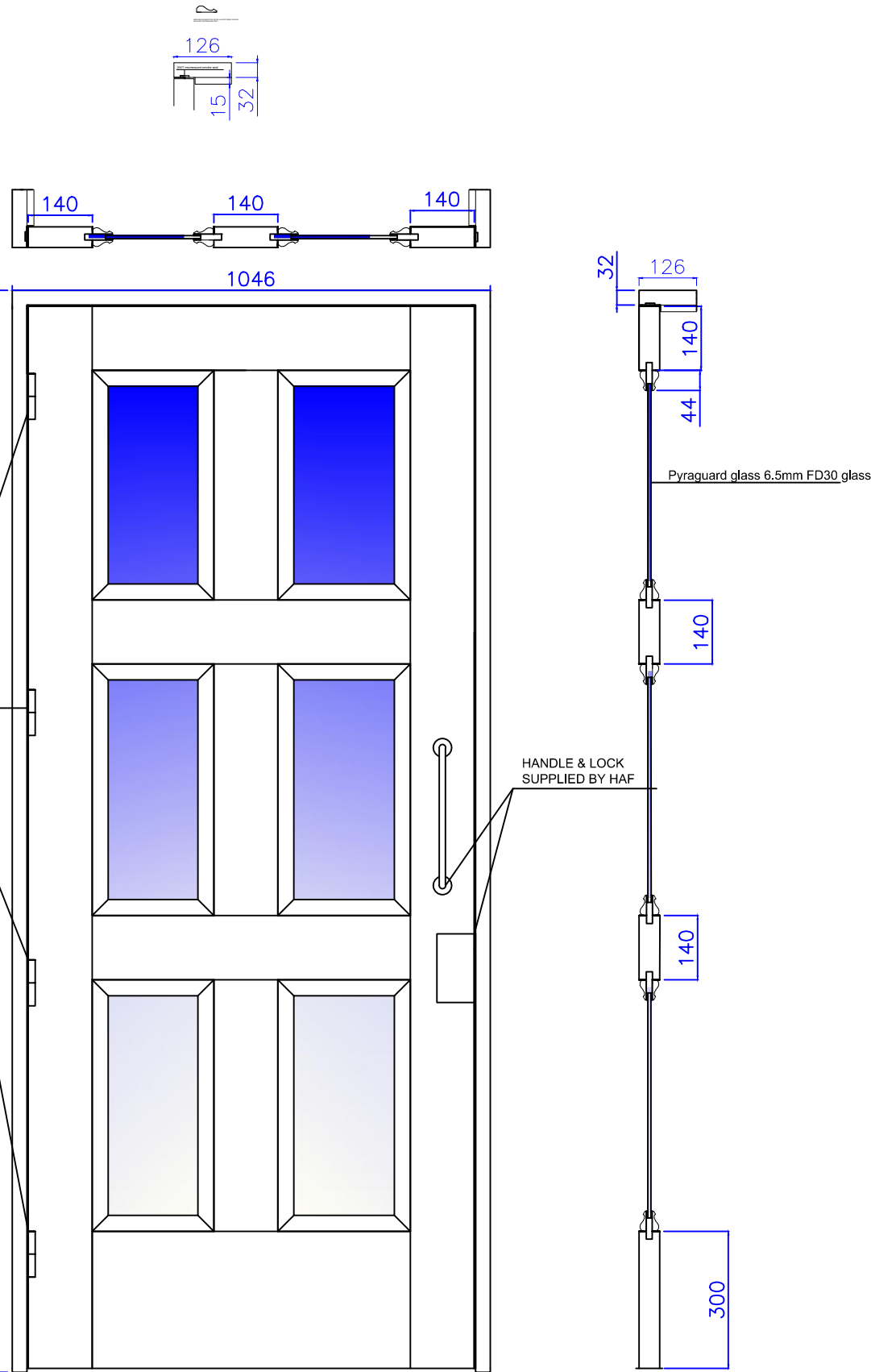
Fire seals also required at base of door?

Refer latest HAF schedule to ensure any recessed ironmongery is allowed for e.g. recessed door closers, lock barrels, electronic locking etc

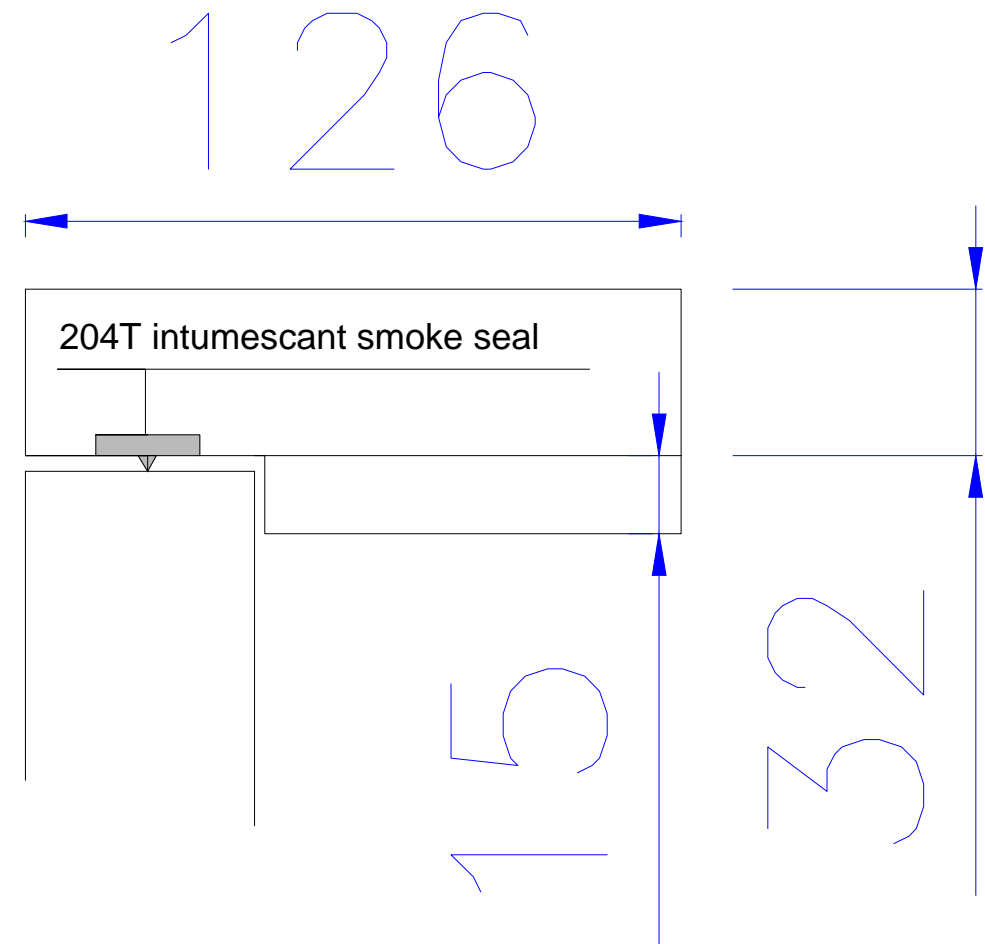
Doors within existing openings to be site measured.

Test certificates required at completion for new fire door sets.

Refer to previous finishes comments from RSS 31.03.17



MOULDING IS INDICATIVE AS WE HAVE NOT BEEN SUPPLIED
RELAVENT INFORMATION (TBC).



PRIMED 2 COATS
SAPELE (FSC)
IRONMONGERY & HINGES SUPPLIED
AND FITTED BY OTHERS.
ARCHITRAVE BY OTHERS

DATE RECEIVED: 12.04.17
DATE RETURNED: 20.04.17
INITIALLED: MG



- A: REVIEWED: NO COMMENTS
- B: REVIEWED: COMMENTS AS NOTED
- C: REVIEWED: UNACCEPTABLE RESUBMIT

The Architects review of this drawing is for the purposes of ascertaining conformity with the basic design concept profiles and general arrangement only. The review shall not be construed to mean that the Architect accepts the detail design and/or dimensions inherent in the drawing, responsibility for which remains with the sub-contractor. The sub-contractor is responsible for any errors or omissions in the drawing and for meeting all requirements of the Contract Documents.

DG.16.01 FD30 S

Title: The Russell Hotel



55 Parkwood Road, Sheffield, Soth Yorkshire, S3 8AH
tel: 0114 270 6330 fax: 0114 270 6331
email: enquiries@longdendoors.co.uk

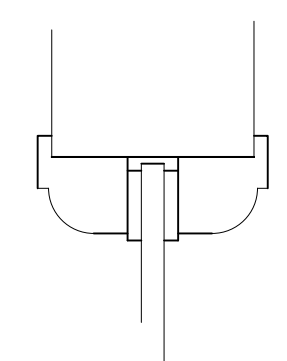
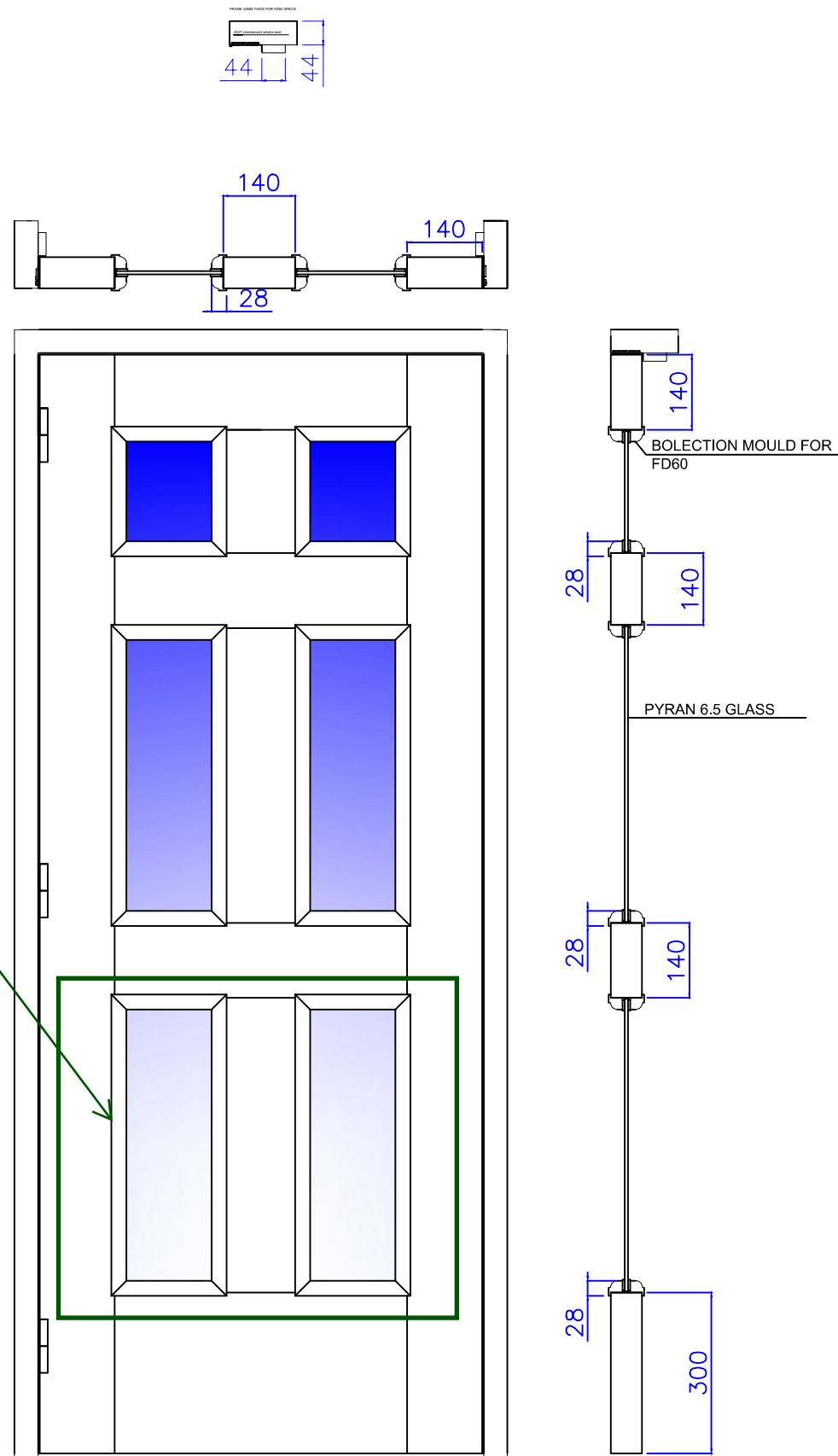
Creator: Garry Lister	
Checked:	
First Issue: 14364	Scale: REV B

Epr comments:
 Mouldings and frame widths to match other GF doors - refer to Edmonds door drawings.
 Architraves by others - finish will need to match.
 Fire seals also required at base of door?
 Refer latest HAF schedule to ensure any recessed ironmongery is allowed for e.g. recessed door closers, lock barrels, electronic locking etc
 Doors within existing openings to be site measured.
 Test certificates required at completion for new fire door sets.
 Refer to previous finishes comments from RSS 31.03.17

PAINTED 2 COATS PRIMED SAPELE(FSC)
 IRONMONGERY & HINGES SUPPLIED AND FITTED BY OTHERS.

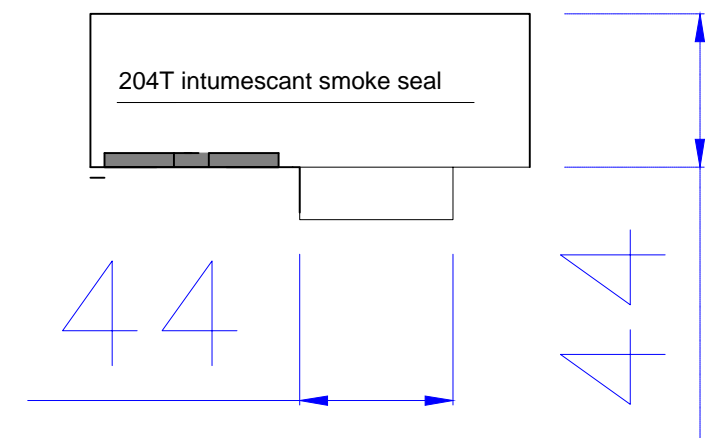
ARCHITRAVE BY OTHERS

bottom panels solid as RSS elevs



HAS TO BE BOLECTION MOULD FOR FD60 SPECS

existing frame replaced? check on site
 FRAME 44MM THICK FOR FD60 SPECS



DATE RECEIVED: 12.04.17
 DATE RETURNED: 20.04.17
 INITIALLED: MG



- A: REVIEWED: NO COMMENTS
- B: REVIEWED: COMMENTS AS NOTED
- C: REVIEWED: UNACCEPTABLE RESUBMIT

The Architects review of this drawing is for the purposes of ascertaining conformity with the basic design concept profiles and general arrangement only. The review shall not be construed to mean that the Architect accepts the detail design and/or dimensions inherent in the drawing, responsibility for which remains with the sub-contractor. The sub-contractor is responsible for any errors or omissions in the drawing and for meeting all requirements of the Contract Documents.

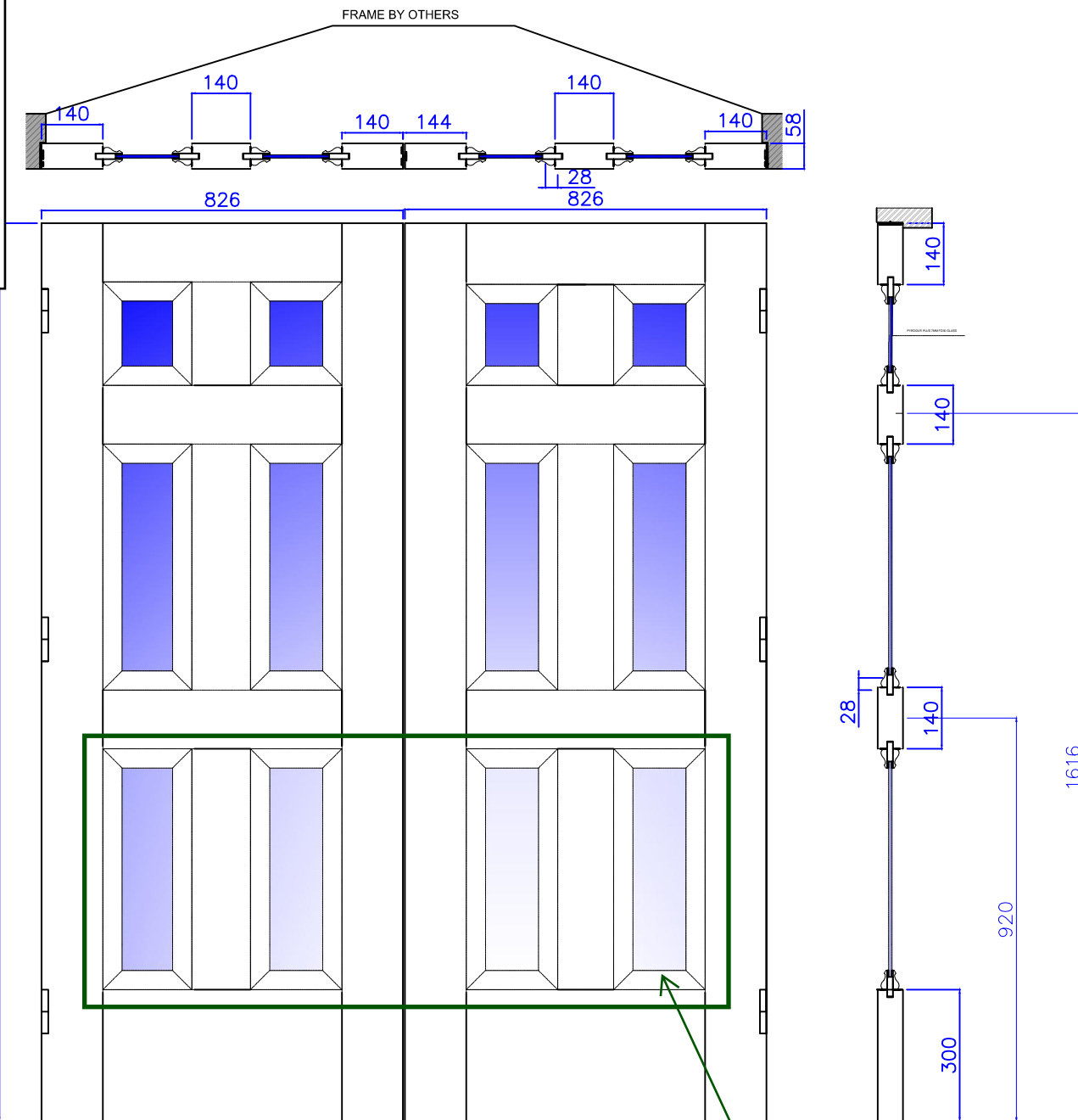
Title: THE RUSSELL HOTEL

LONGDEN
 INDIVIDUALLY CRAFTED DOORS
 55 Parkwood Road, Sheffield, Soth Yorkshire, S3 8AH
 tel: 0114 270 6330 fax: 0114 270 6331
 email: enquiries@longdendoors.co.uk

Creator: GARRY IISTER	
Checked:	
First Issue:	Scale:
Job Number 14364	REV B

Epr comments:
 Mouldings and frame widths to match other GF doors - refer to Edmonds door drawings.
 Architraves by others - finish will need to match.
 Fire seals also required at base of door?
 Refer latest HAF schedule to ensure any recessed ironmongery is allowed for e.g. recessed door closers, lock barrels, electronic locking etc
 Doors within existing openings to be site measured.
 Test certificates required at completion for new fire door sets.
 Refer to previous finishes comments from RSS 31.03.17

PAINTED 2 COATS PRIMED
 SAPELE (FSC)
 IRONMONGERY & HINGES SUPPLIED
 AND FITTED BY OTHERS.

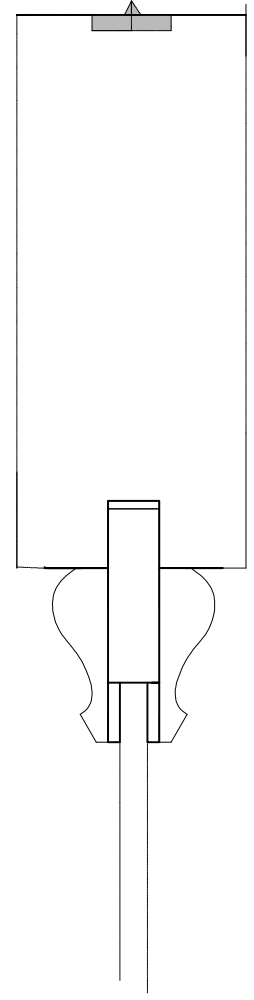


DG18.01 PAIR FD30 S

bottom panels solid as RSS elevs

FRAME INDICATIVE ,EXISTING ONE BEING USED .

204T intumescent smoke seal



MOULDING IS INDICATIVE AS WE HAVE NOT BEEN SUPLIED
 RELAVENT INFORMATION (TBC).

DATE RECEIVED: 12.04.17
 DATE RETURNED: 20.04.17
 INITIALLED: MG



- A: REVIEWED: NO COMMENTS
- B: REVIEWED: COMMENTS AS NOTED
- C: REVIEWED: UNACCEPTABLE RESUBMIT

The Architects review of this drawing is for the purposes of ascertaining conformity with the basic design concept profiles and general arrangement only. The review shall not be construed to mean that the Architect accepts the detail design and/or dimensions inherent in the drawing, responsibility for which remains with the sub-contractor. The sub-contractor is responsible for any errors or omissions in the drawing and for meeting all requirements of the Contract Documents.

Title: THE RUSSELL HOTEL DG18.01



INDIVIDUALLY CRAFTED DOORS

55 Parkwood Road, Sheffield, Soth Yorkshire, S3 8AH
 tel: 0114 270 6330 fax: 0114 270 6331
 email: enquiries@longdendoors.co.uk

Creator: Garry lister	
Checked:	
First Issue:	Scale:
Job Number 14364	REV B

DATE RECEIVED: 12.07.17
DATE RETURNED: 17.07.17
INITIALED: MG

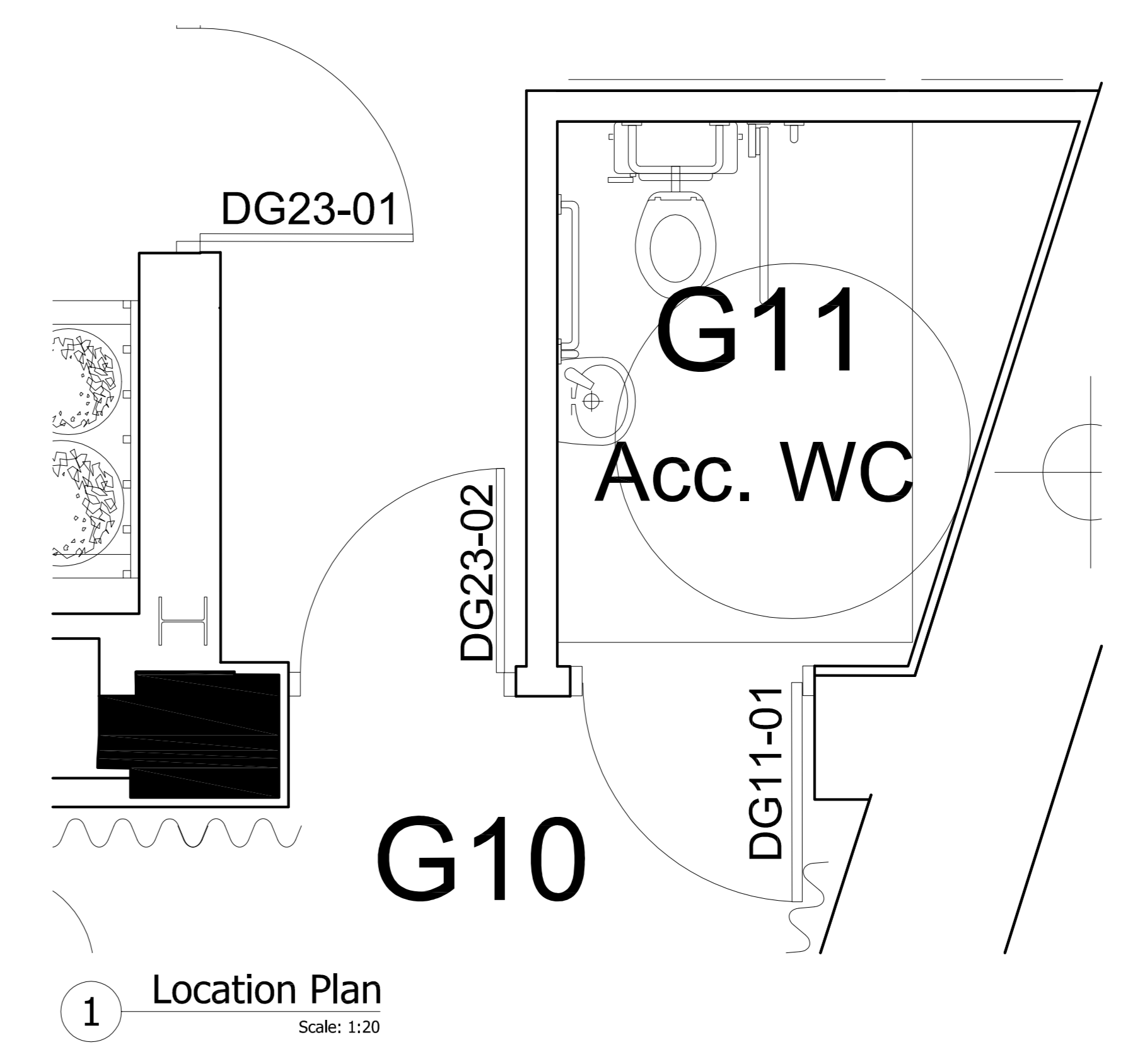
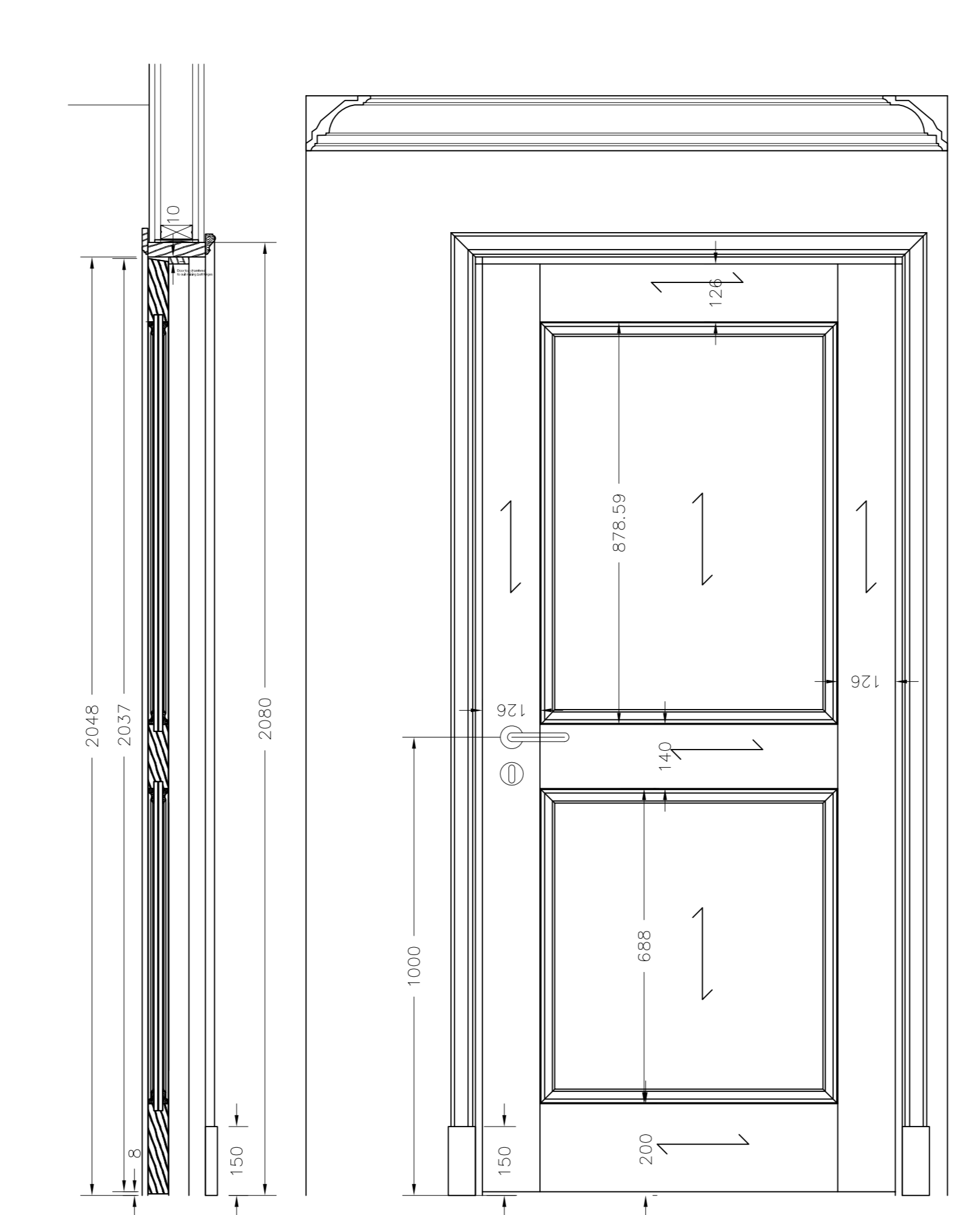
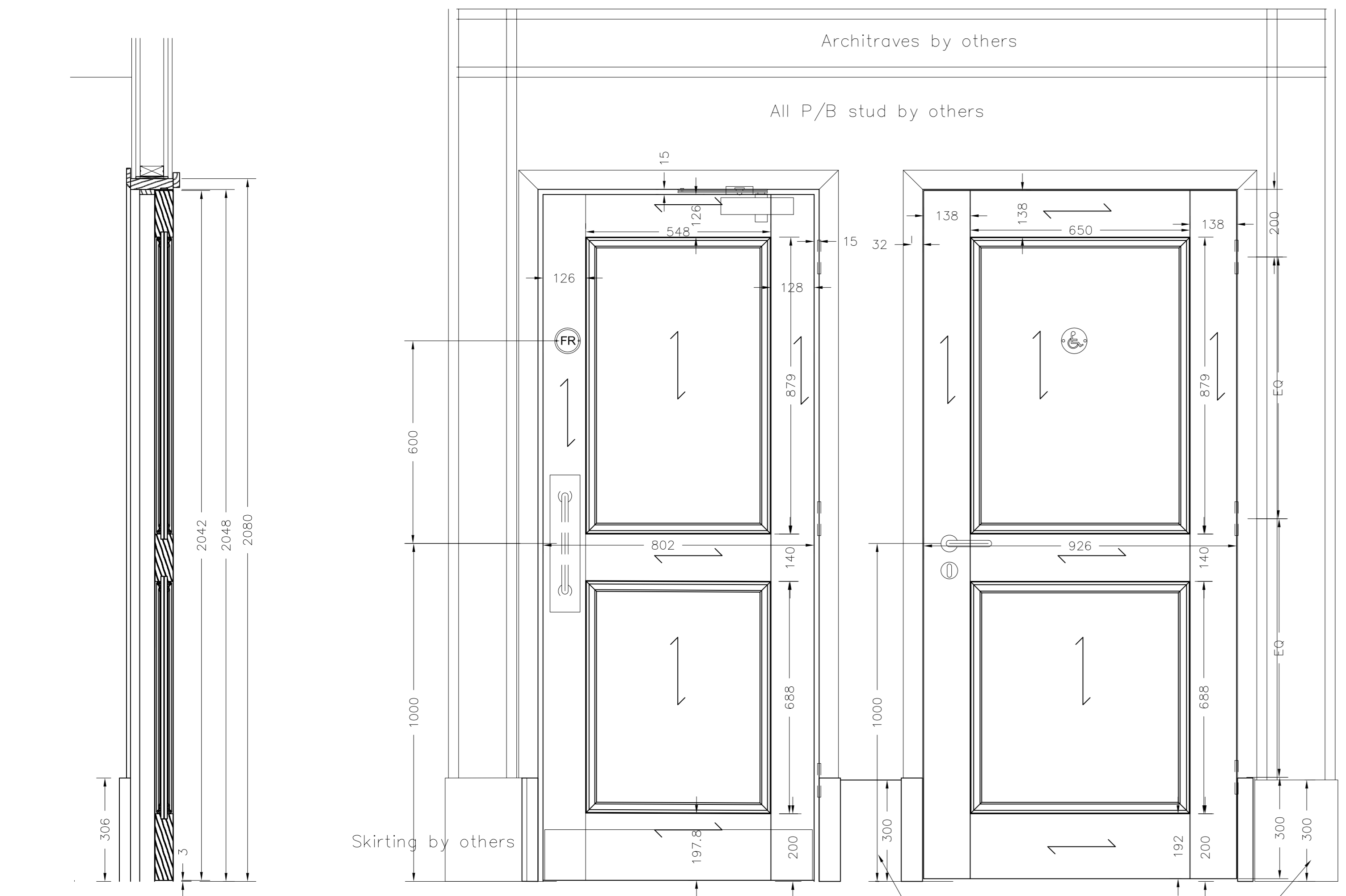


- A: REVIEWED: NO COMMENTS
- B: REVIEWED: COMMENTS AS NOTED
- C: REVIEWED: UNACCEPTABLE RESUBMIT

The Architects review of this drawing is for the purposes of ascertaining conformity with the basic design concept profiles and general arrangement only. The review shall not be construed to mean that the Architect accepts the detail design and/or dimensions inherent in the drawing, responsibility for which remains with the sub-contractor. The sub-contractor is responsible for any errors or omissions in the drawing and for meeting all requirements of the Contract Documents.

All Timbers in American Oak
All Veneers in Crown-cut random American Oak

Epr Comments:
Fire spread rating all wall & ceiling surfaces to meeting Ad'B and Fusion Fire Strategy.

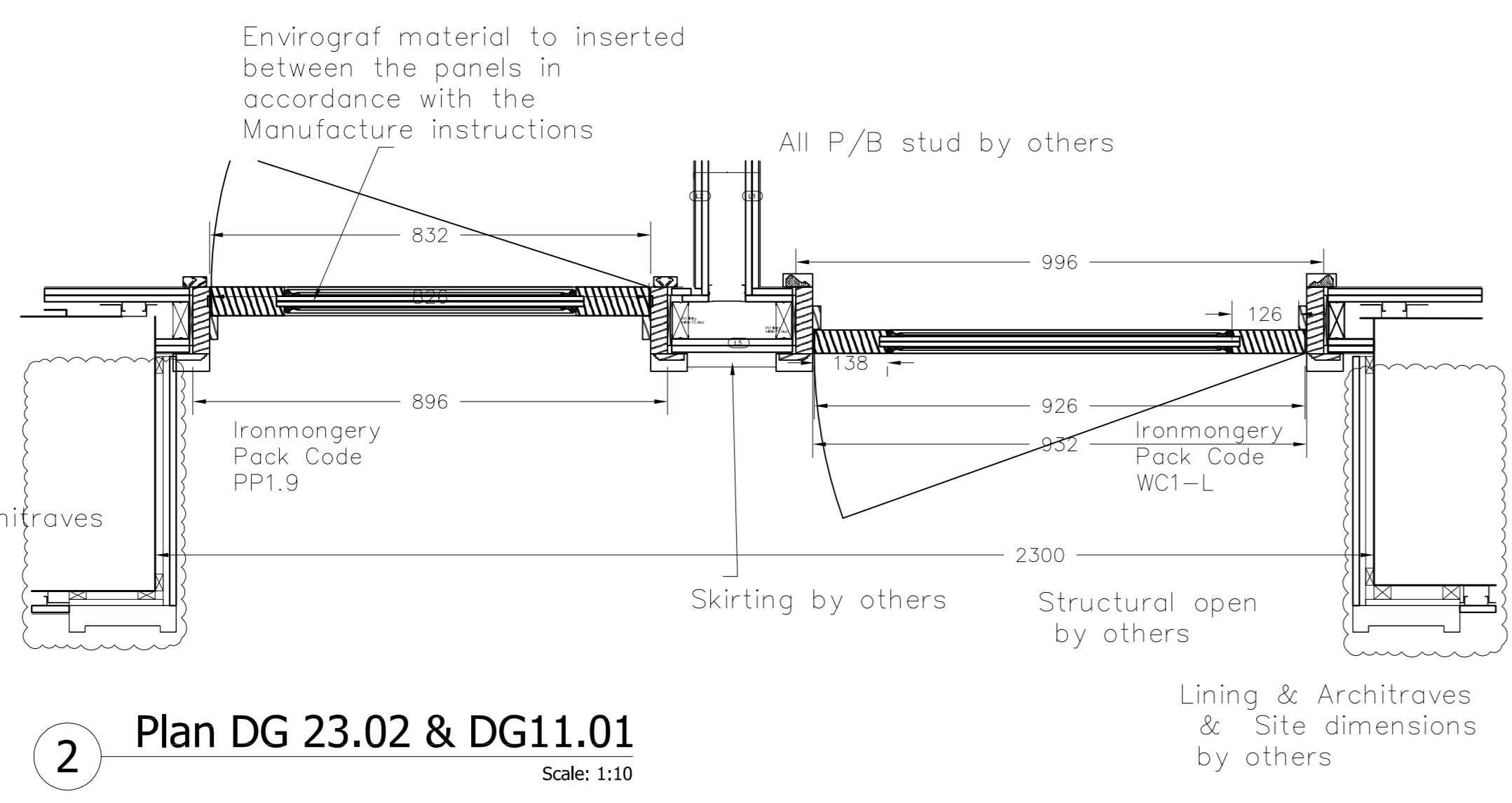


4 Section DG23.02 Scale: 1:10

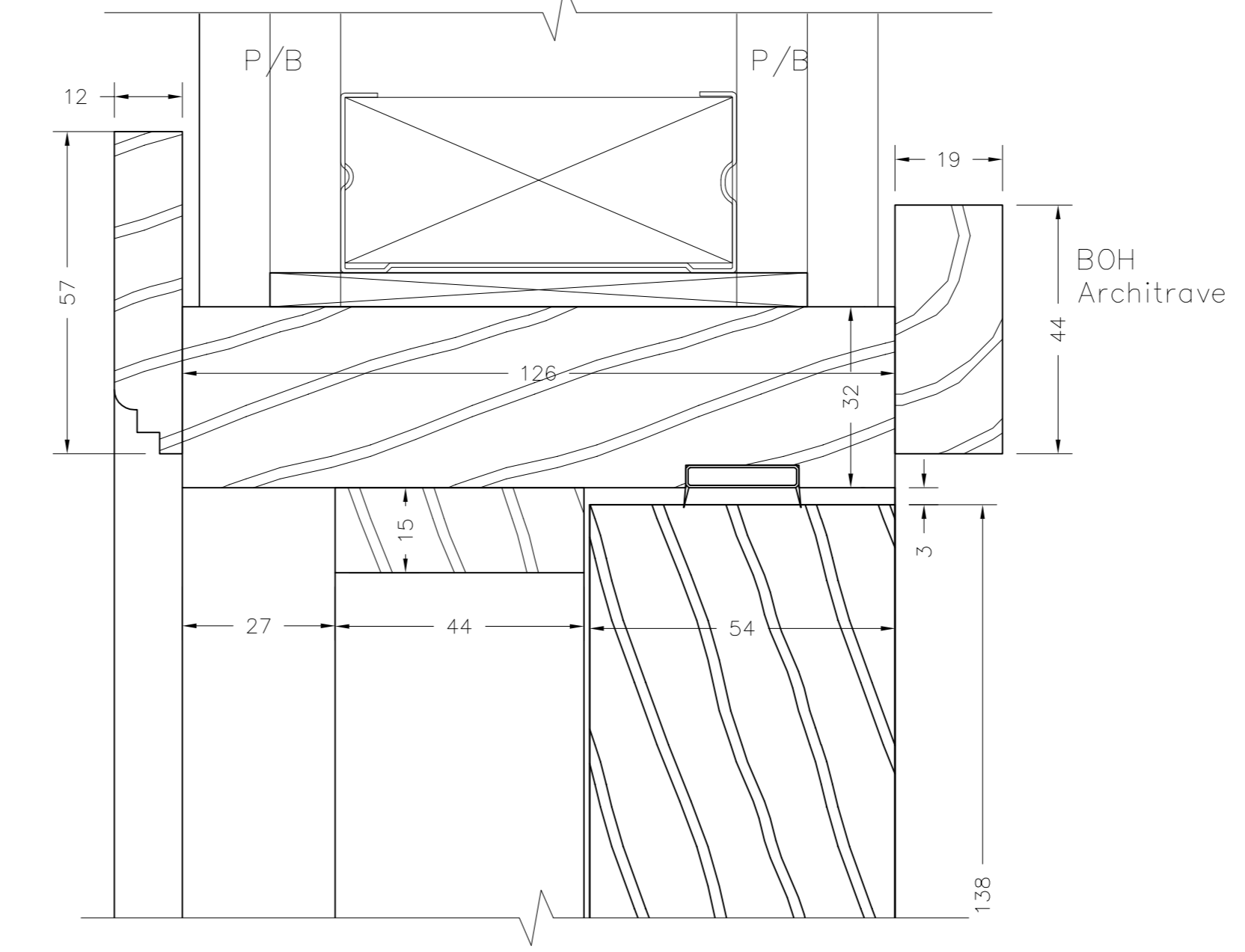
5 Section DG 11.01 Scale: 1:1

6 Rear View DG 11.01 Scale: 1:1

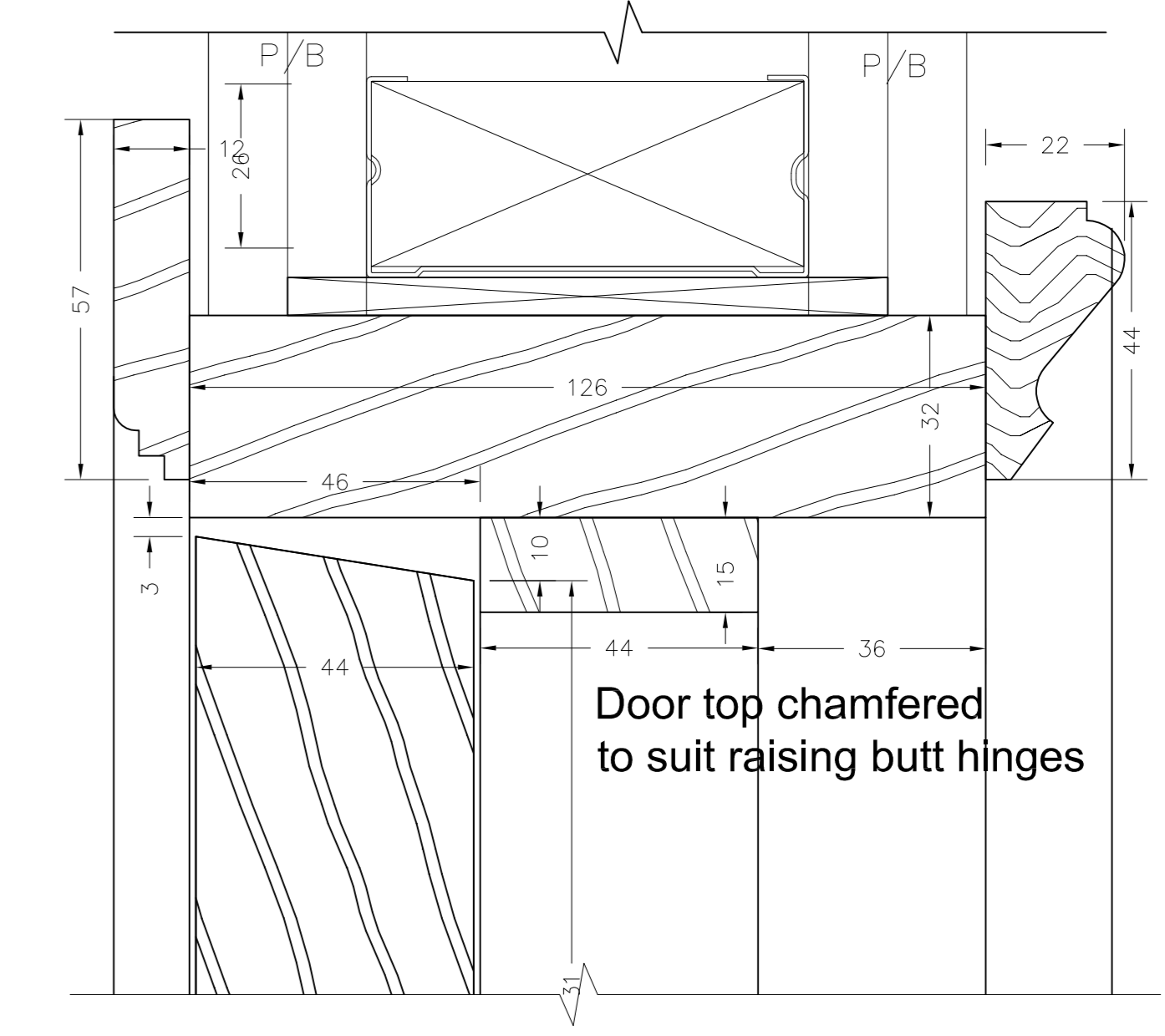
3 Elevation DG23.02 & DG11.01 Scale: 1:10



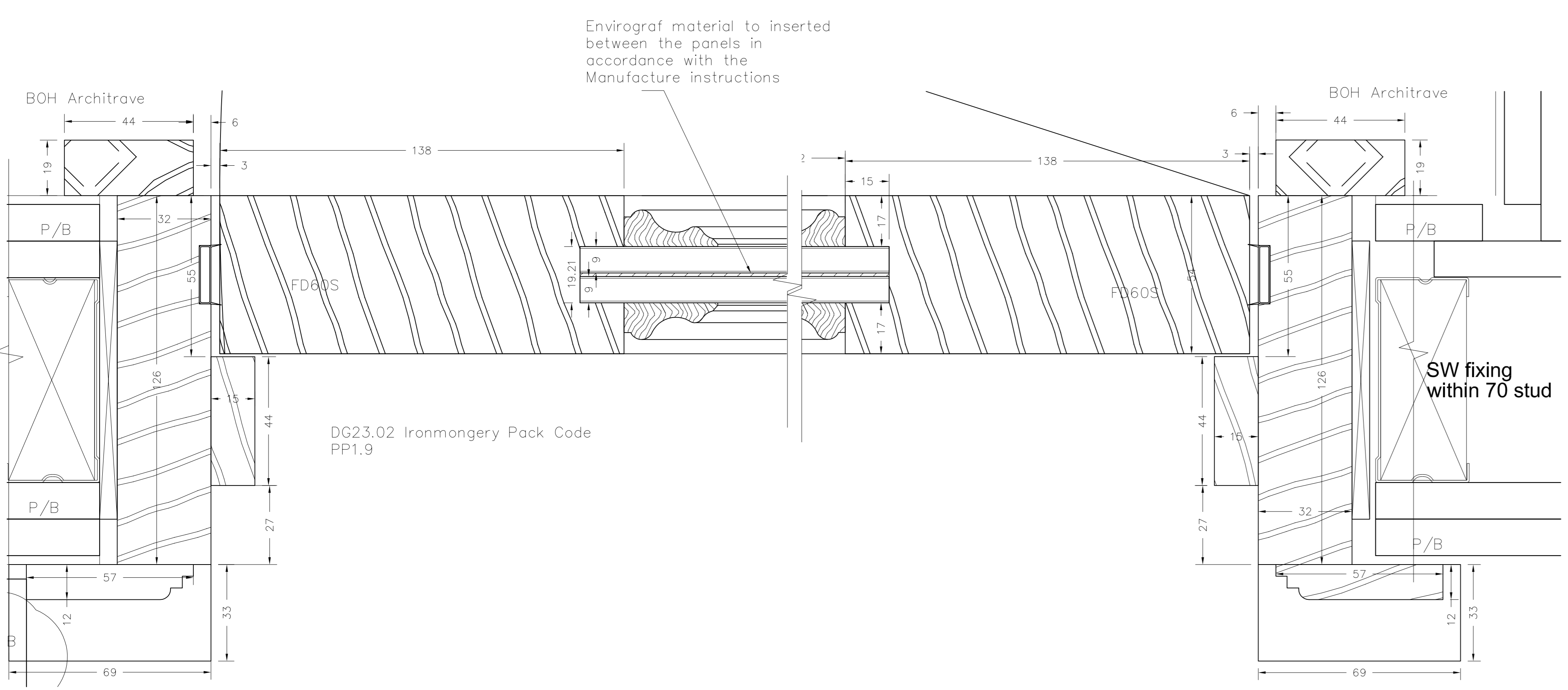
2 Plan DG 23.02 & DG11.01 Scale: 1:10



12 DG23.02 HD Scale: 1:1

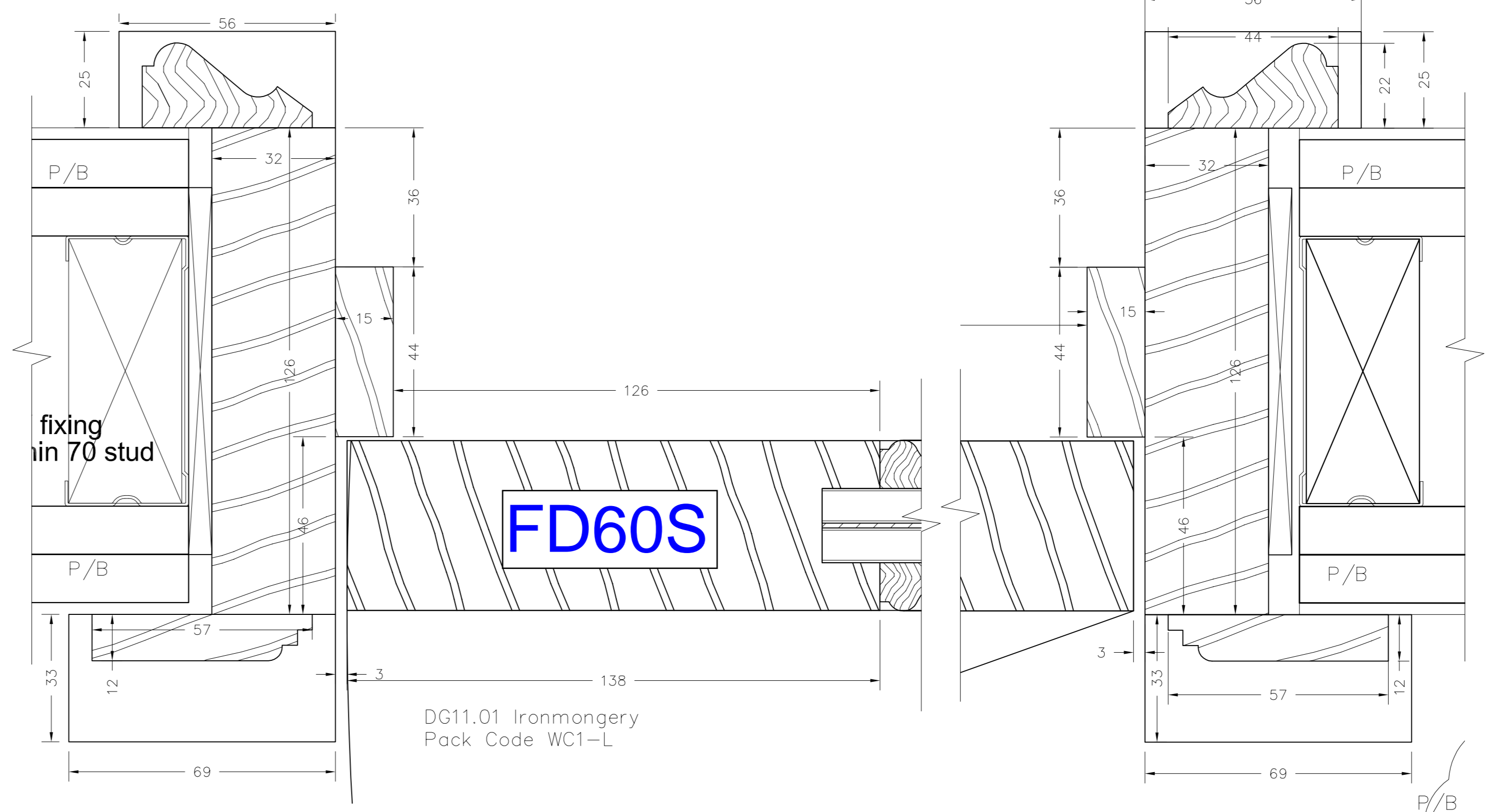


11 DG 11.01 HD Scale: 1:1



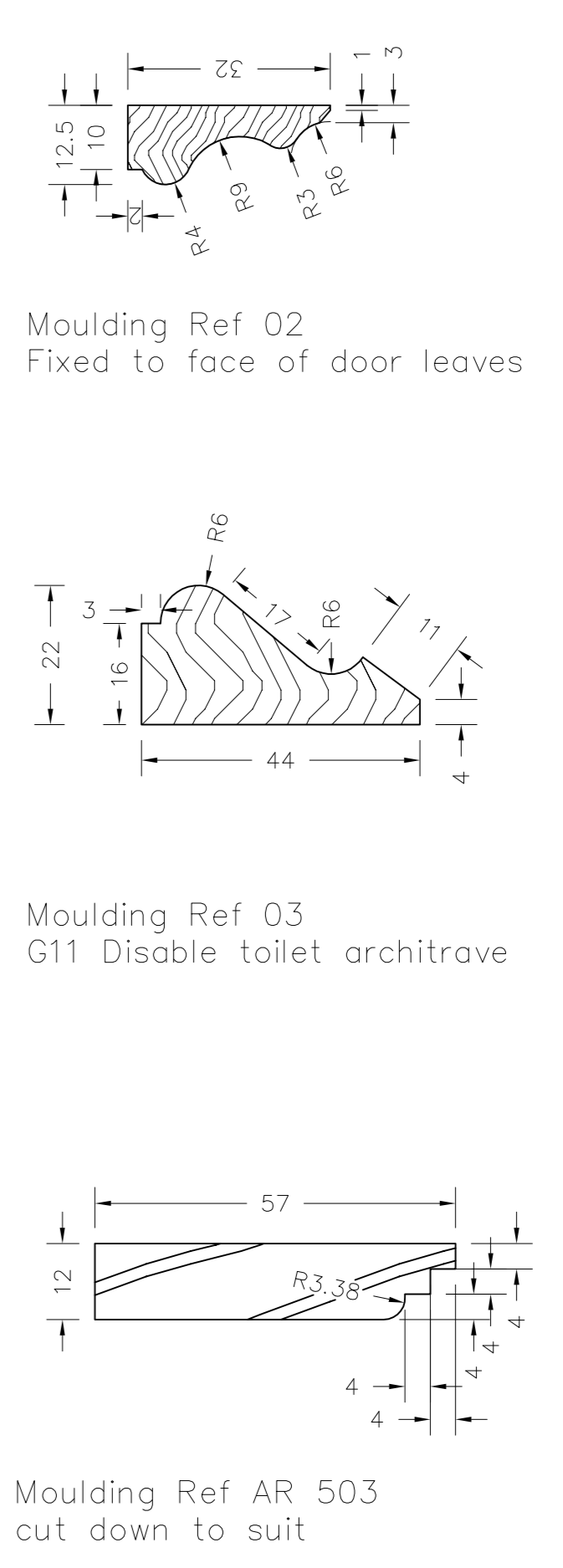
7 DG23.02 L/H Scale: 1:1

8 DG23.02 R/H Scale: 1:1



9 DG 11.01 L/H Scale: 1:1

10 DG 11.01 R/H Scale: 1:1



ALL RIGHTS (INCLUDING COPYRIGHT AND DESIGNRIGHT) ARE RESERVED TO A EDMONDS & CO. LTD. UNLESS EXPRESSLY AGREED OTHERWISE IN WRITING.

CONSTRUCTION

Materials and Components shall be Manufactured and / or Supplied to Standards Within the British Standards Association

DO NOT SCALE WORK TO FIGURED DIMENSIONS

REV	DESCRIPTION	BY	DATE
A	Initial Issue	PR	17.02.17
B	Altered doors to panel effect	PR	2.03.17
C	Issued for Construction	PR	04.07.17

CLIENT: S&K (uk) Ltd
ADDRESS: Russell Hotel London
ARCHITECT: ERP

Door & Frames
GD11.01 & DG23.02

EDMONDS SHOPFITTERS
BIRMINGHAM
0121-236-8351

SCALE	REV	DRAWING NUMBER
1:10 & 1:1 @ A0	C	046-65291