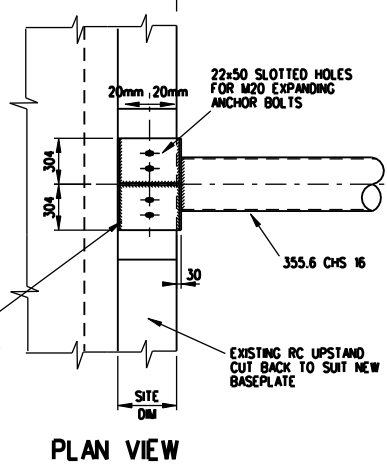
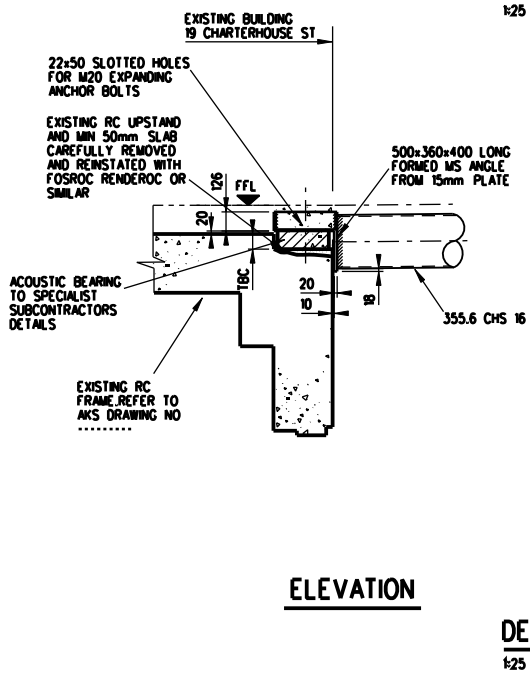
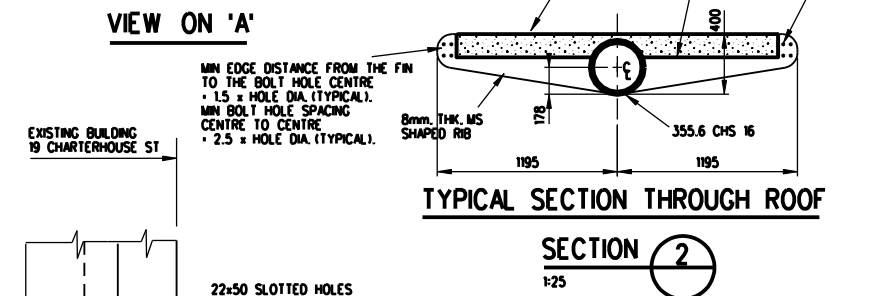
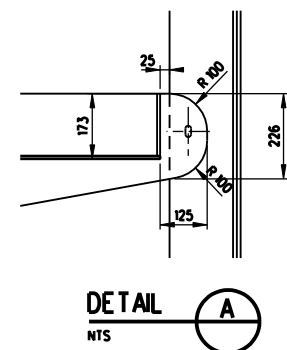
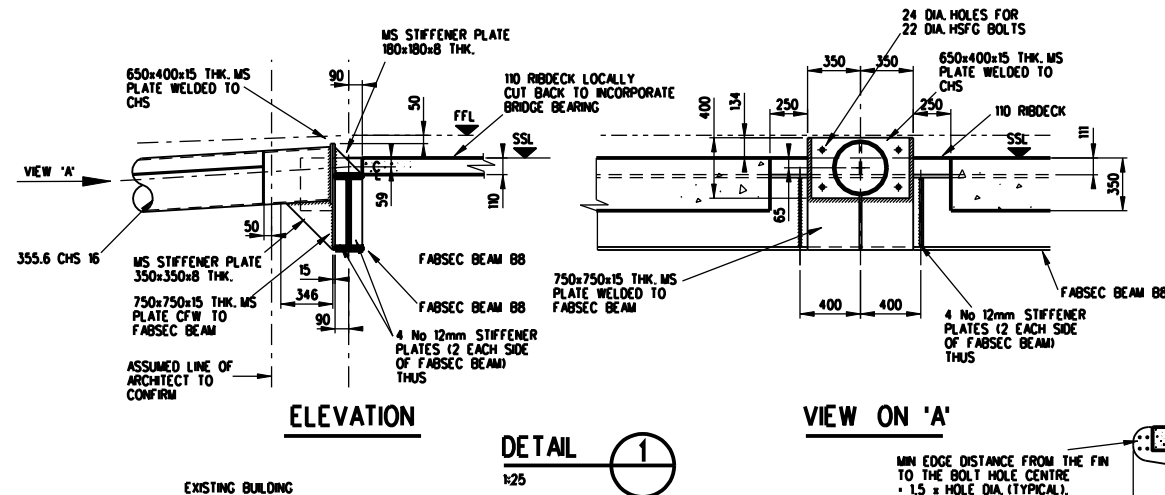
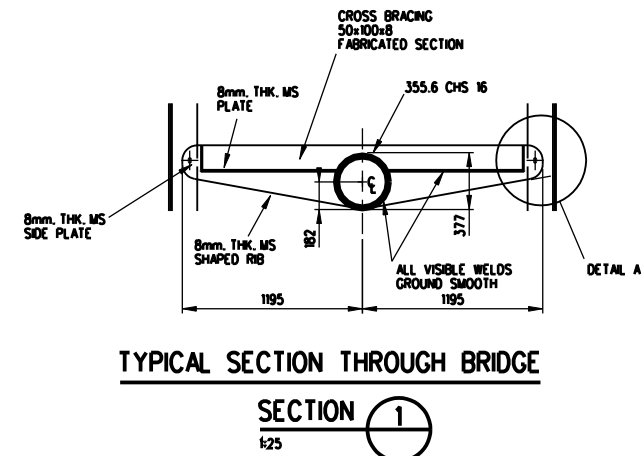
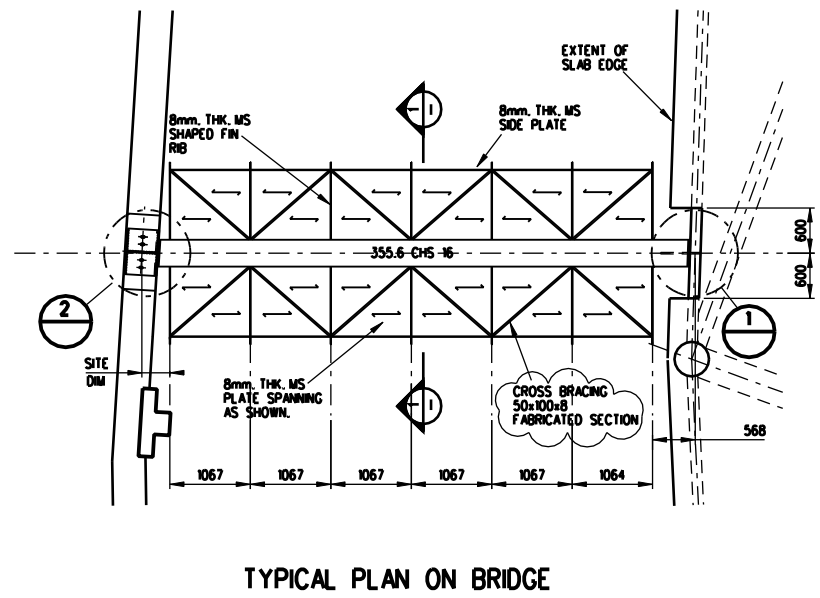
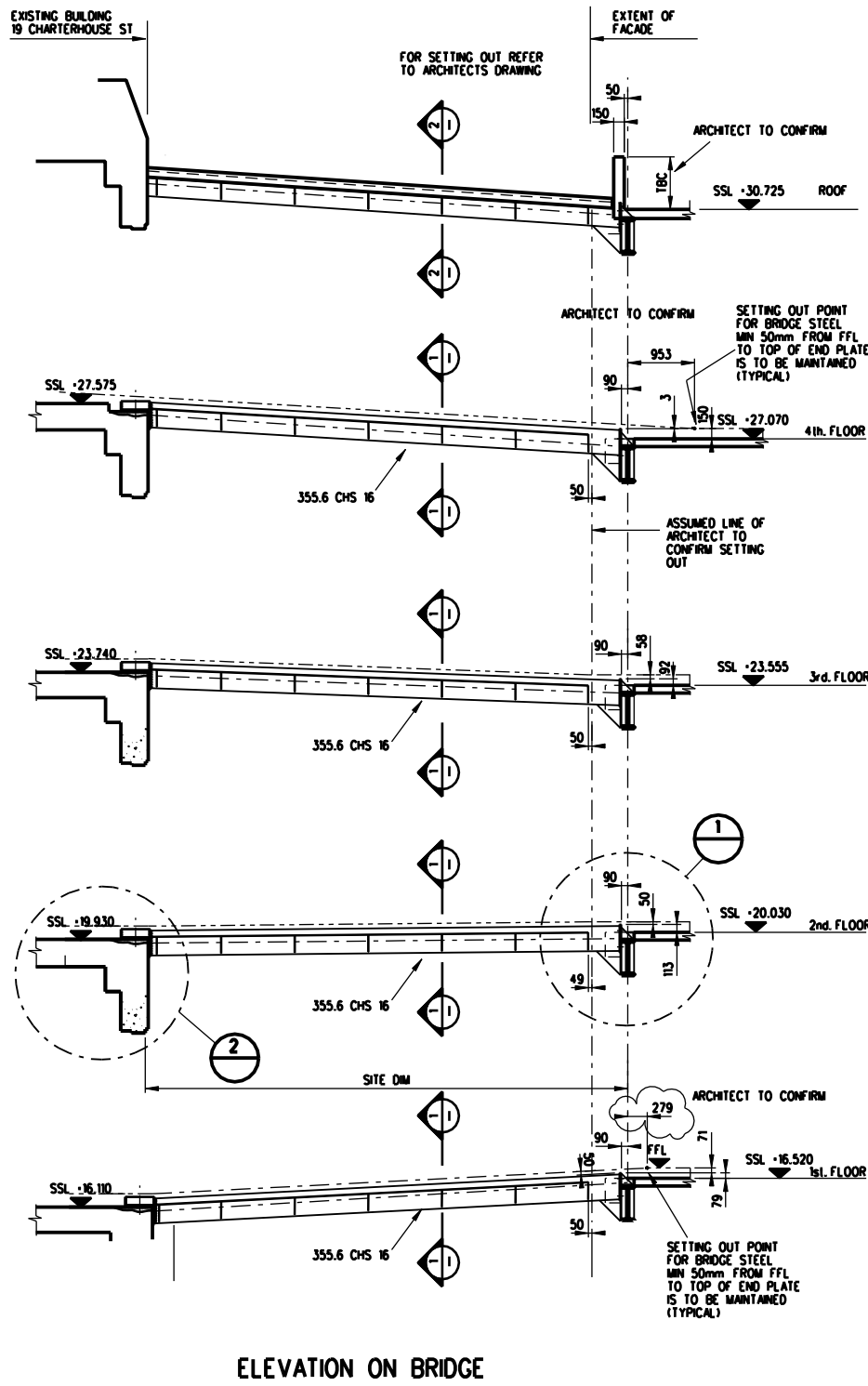


- THIS DRAWING IS TO BE READ IN CONJUNCTION WITH ALL RELEVANT ARCHITECTS AND ENGINEERS DRAWINGS AND SPECIFICATIONS.
- ALL DIMENSIONS ARE IN MILLIMETRES UNLESS OTHERWISE STATED
- ALL STEEL TO BE GRADE 50 U.N.O.



C7 CLADDING FIXING HOLES ADDED. FIN SIZE REVISED.	22/10 2002	SM	SM
C6 REVISED AS CLOUDED	30/09 2002	SM	SM
C5 REVISED AS CLOUDED	27/09 2002	SM	SM
C4 BRACING SIZE REVISED	02/09 2002	SM	SM
C3 REVISED AS CLOUDED	29/08 2002	SM	SM
C2 LVLS REV'D TO SUIT ARCHS DRGS.ACOUSTIC BEARING ADDED	06/08 2002	SM	SM
C1 ISSUED FOR CONSTRUCTION	10/06 2002	PB	SM

CONSTRUCTION

DIAMOND TRADING COMPANY
SAFFRON HILL

LINK BRIDGE
GA & DETAILS