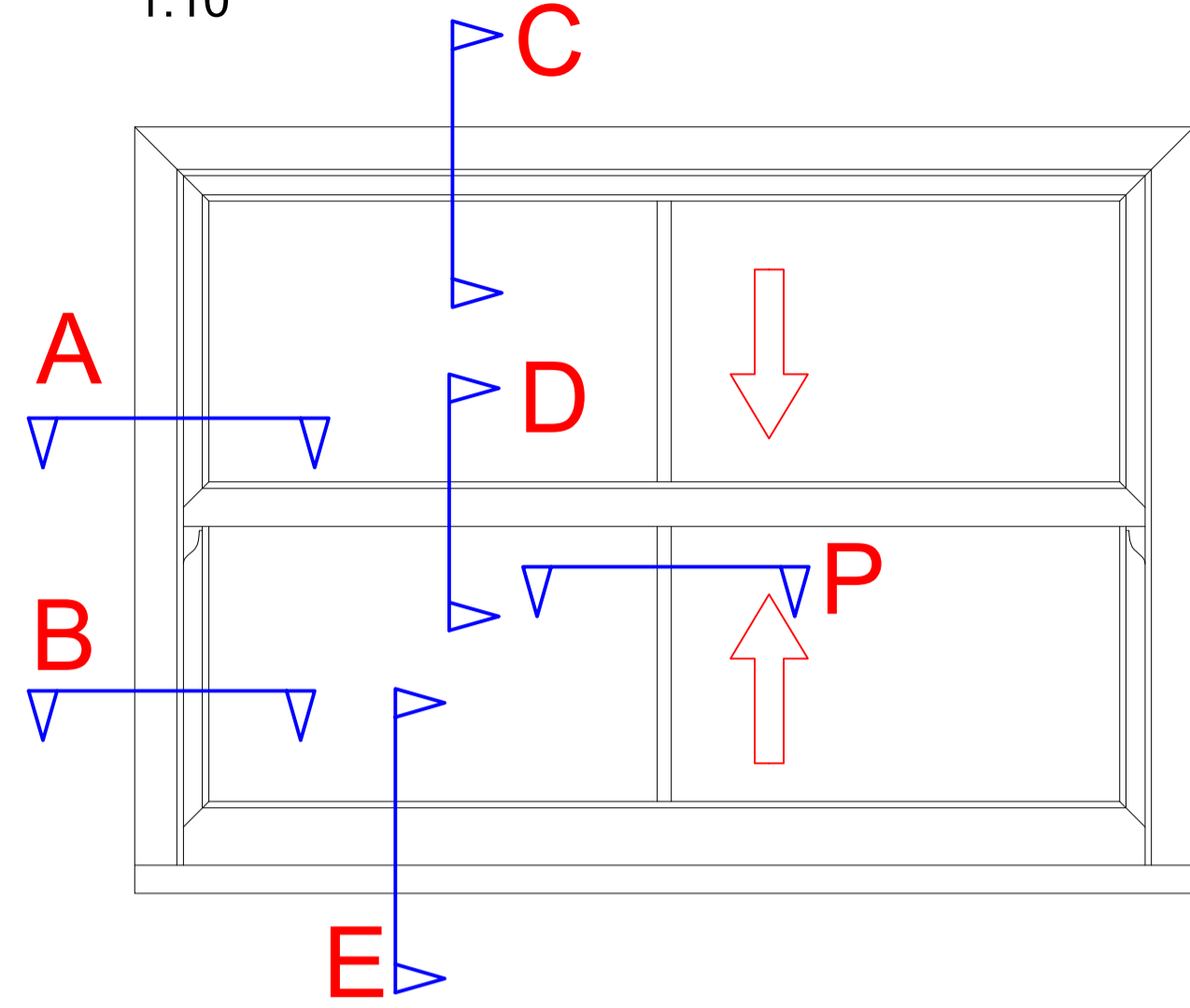
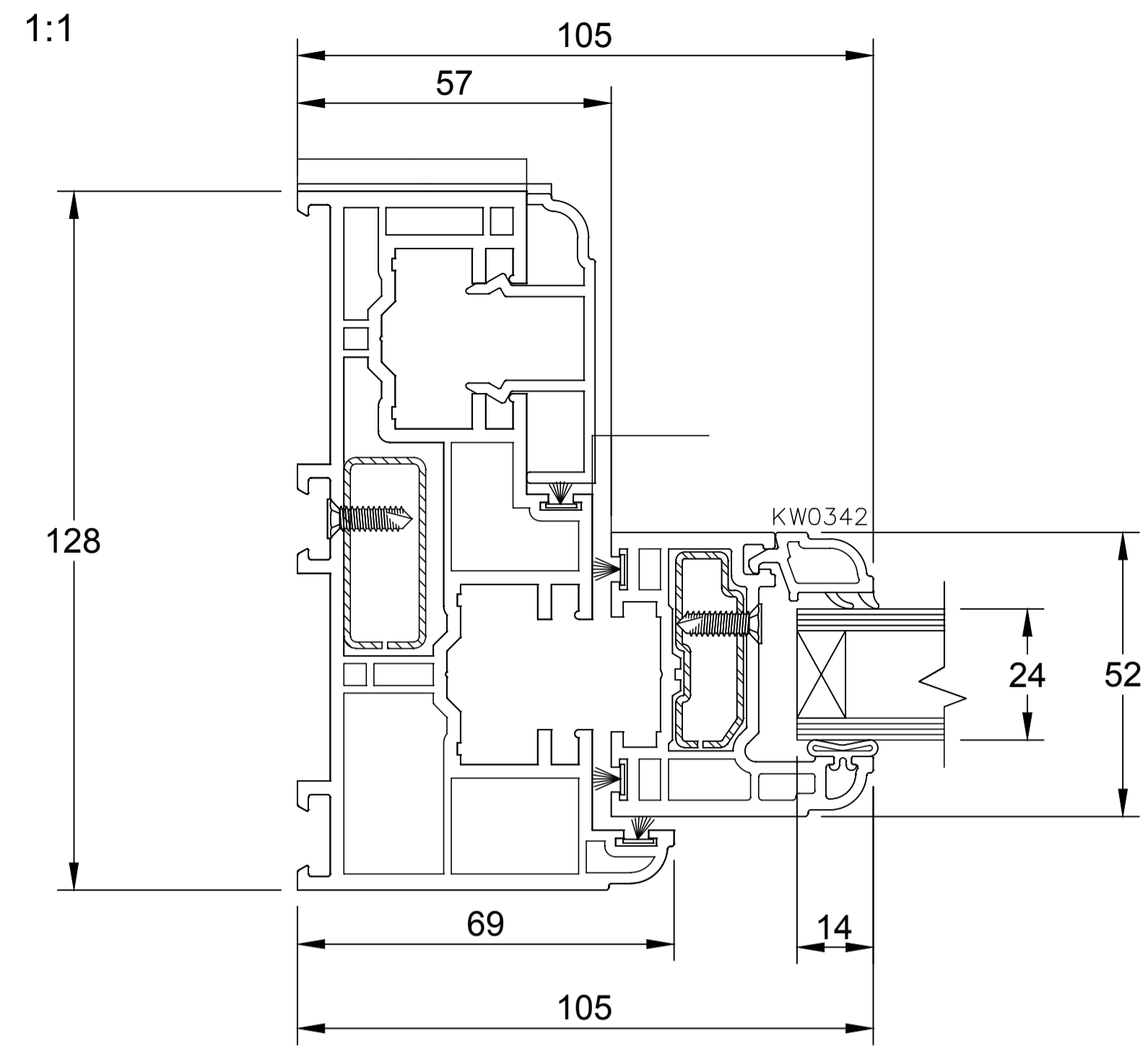


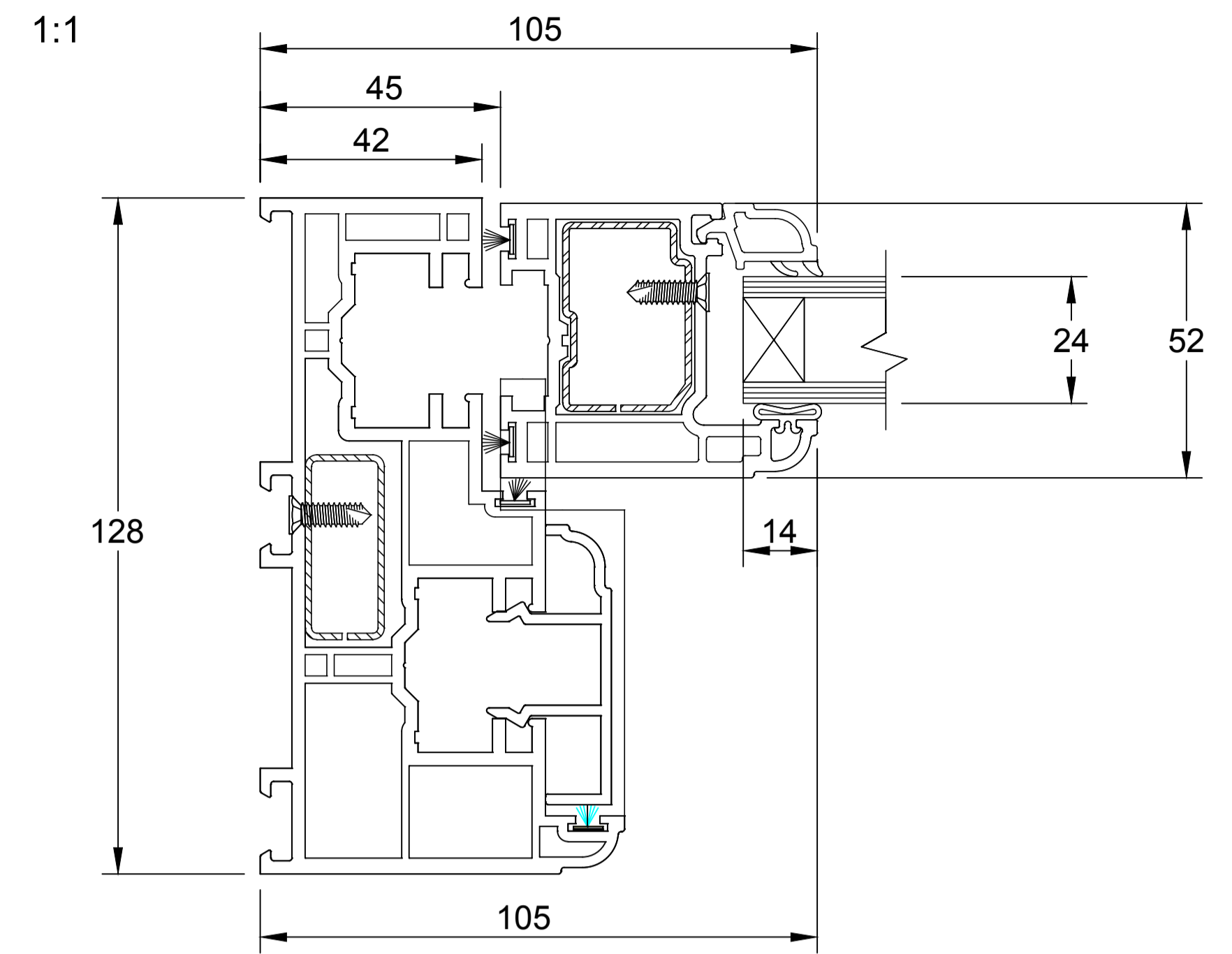
PVCu Window
1:10



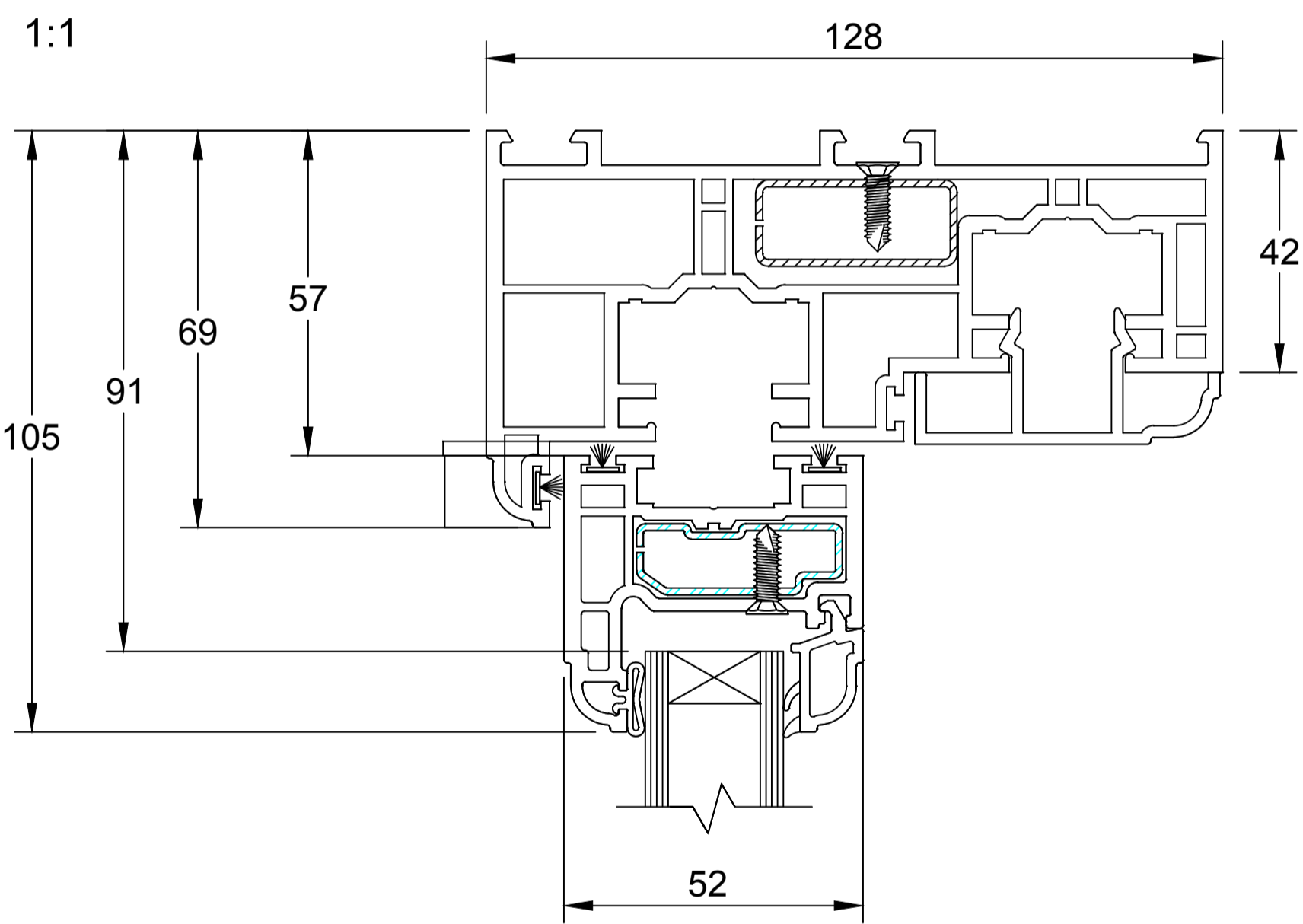
SECTION A



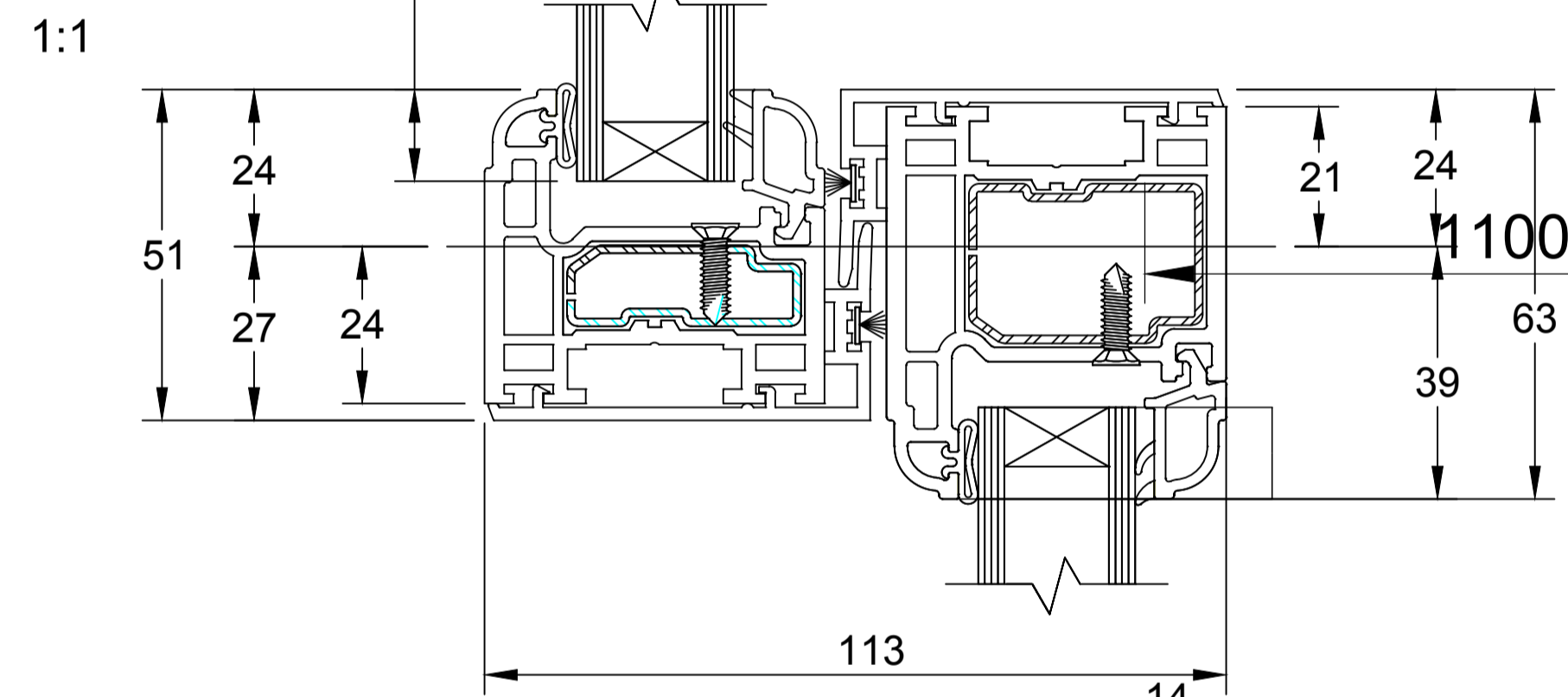
SECTION B



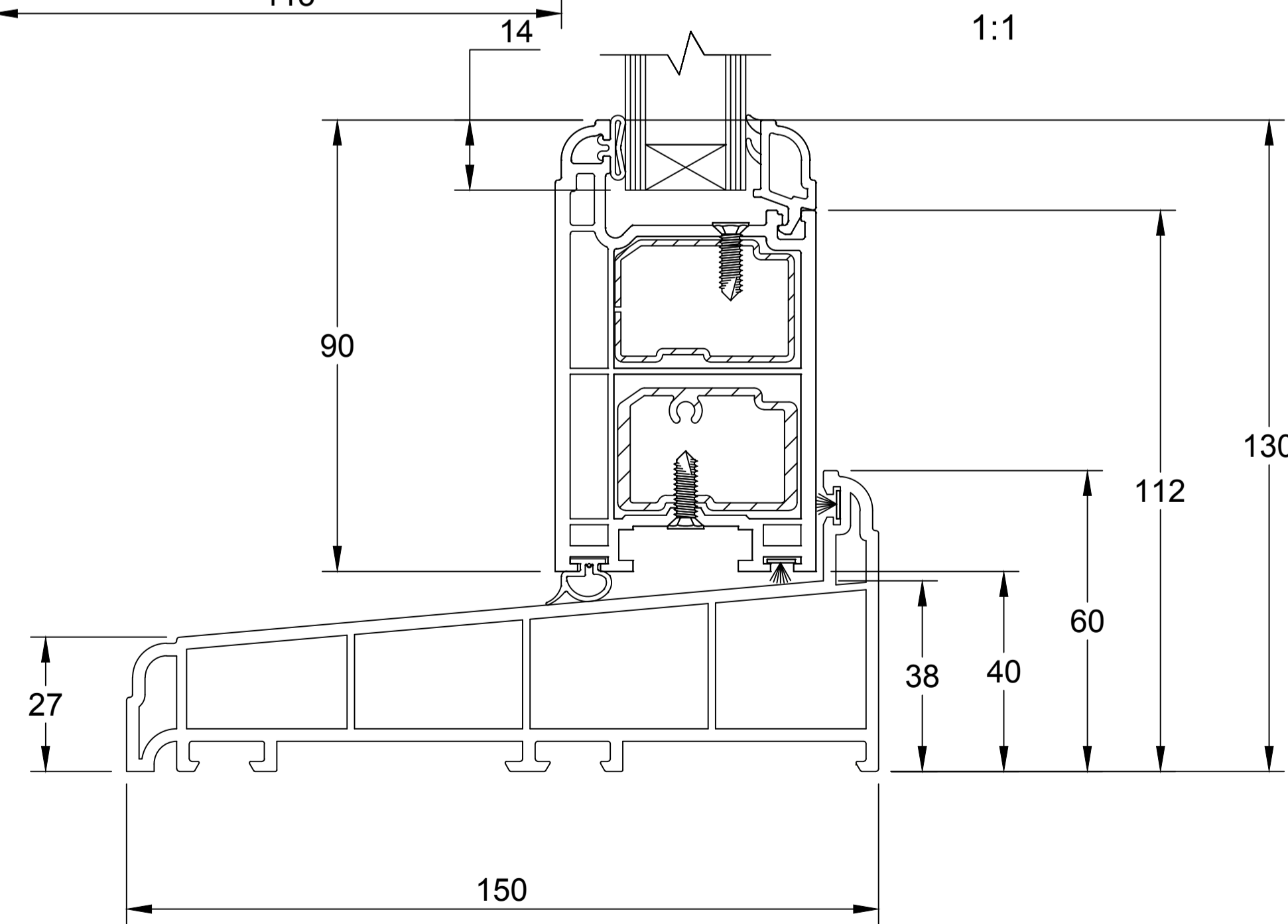
SECTION C



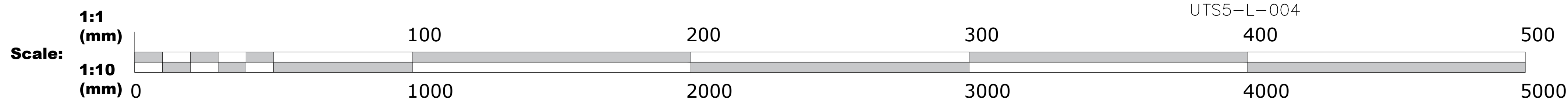
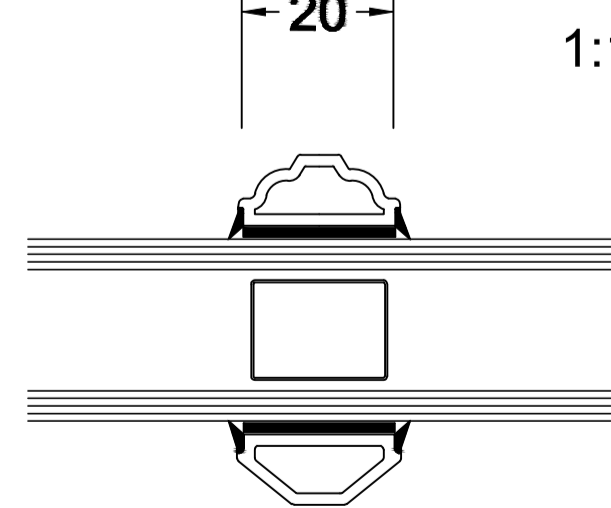
SECTION D



SECTION E



SECTION P



- All dimensions in millimetres (mm) and levels in metres (m) unless noted otherwise.
- This drawing to be read in conjunction with all other relevant drawings and specification.
- All work to comply with the relevant British Standards, Codes of Practice and the Building Regulations.

Revisions:

Customer: Mr Samuel Clarke
Flat D
117 Malden Road
LONDON
NW5 4HS

Drawing Title:
Sections

Drawing No: 1536/PP/05	Contract No: EF1536AV
Scale: As Shown	Starting Date: 13 Sep 2017
Drawn: A.MAZZOTTA	Size: A1
	Ref No:

© Crown copyright. All rights reserved.
License numbers 010031673 and 100042205