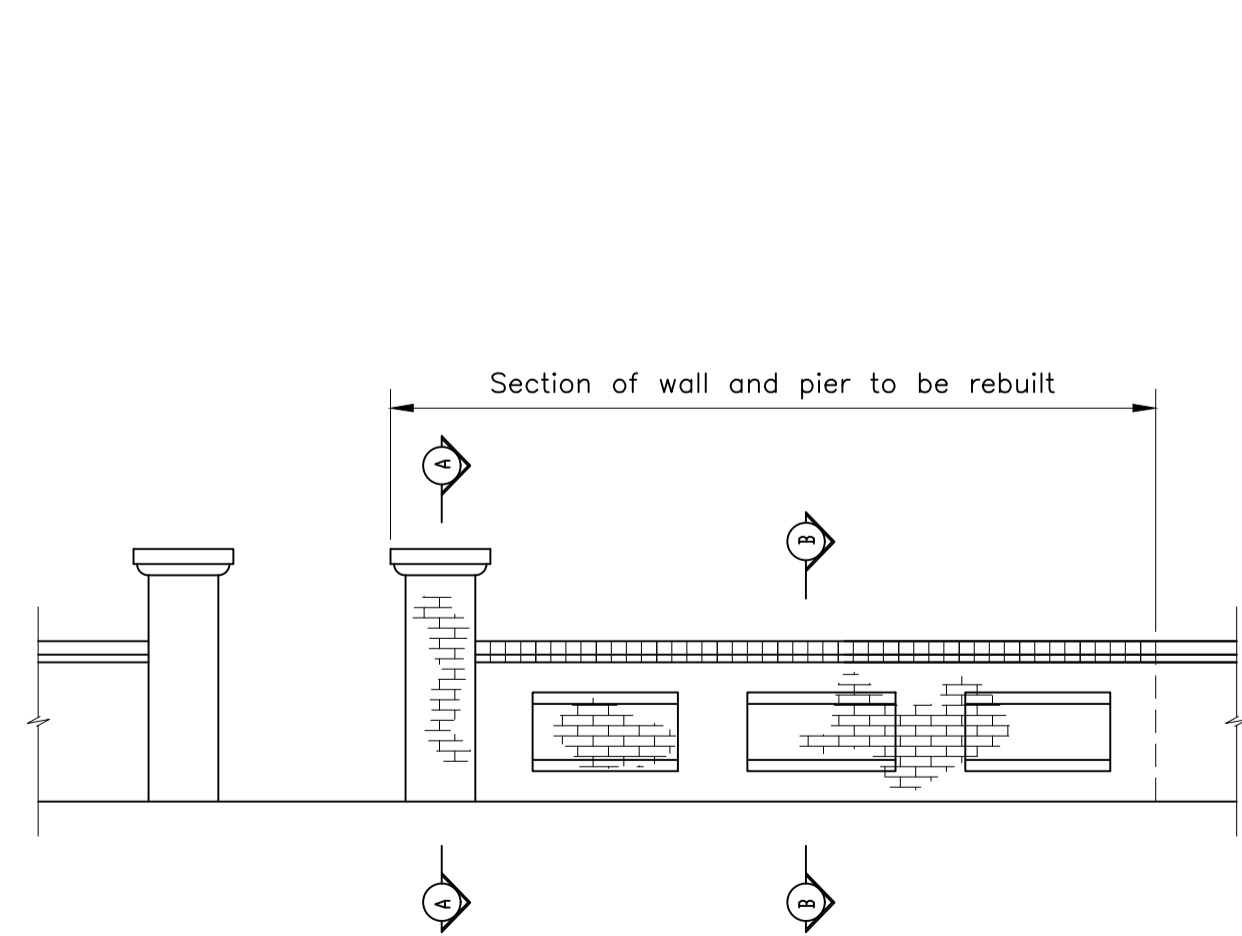
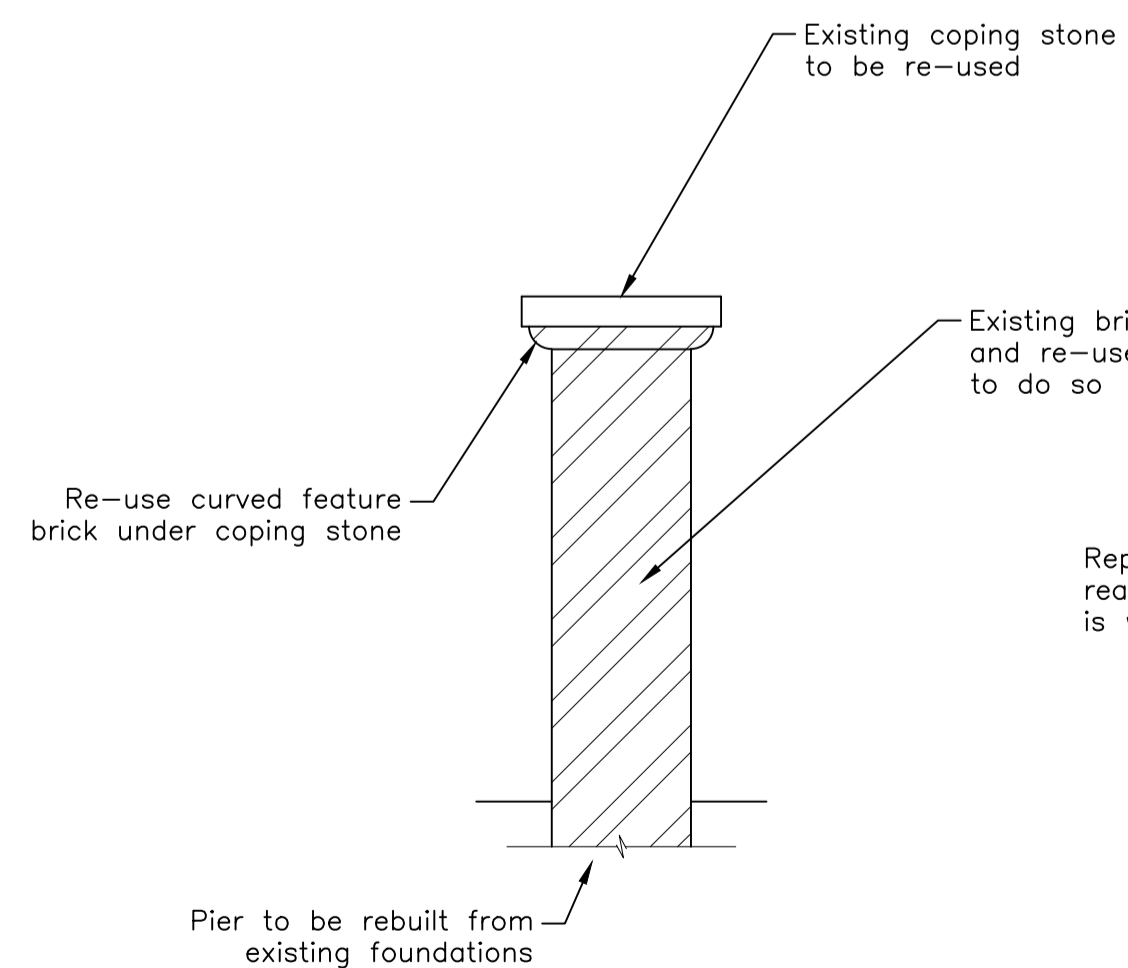


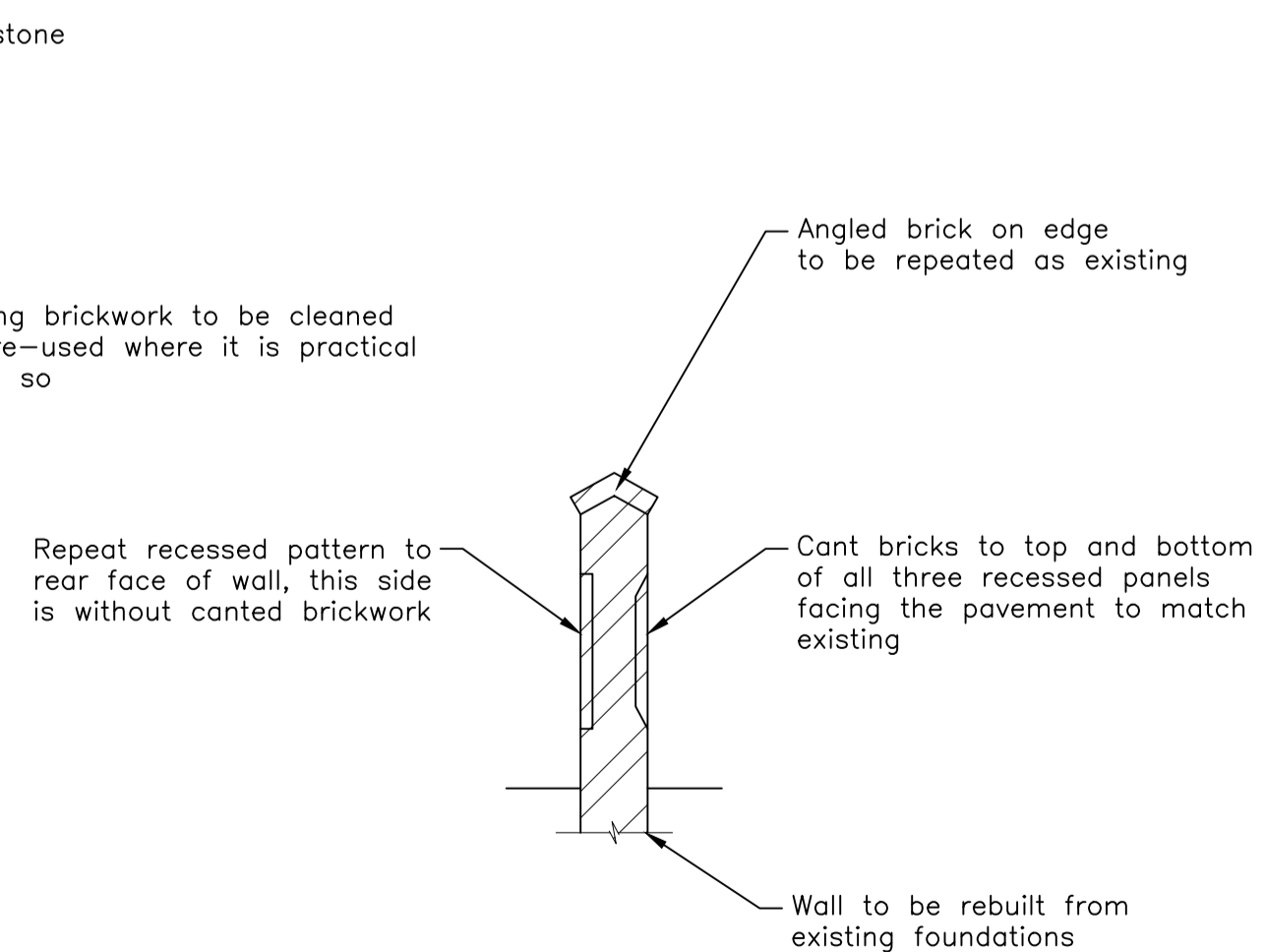
FRONT GARDEN PLAN
(1:50)



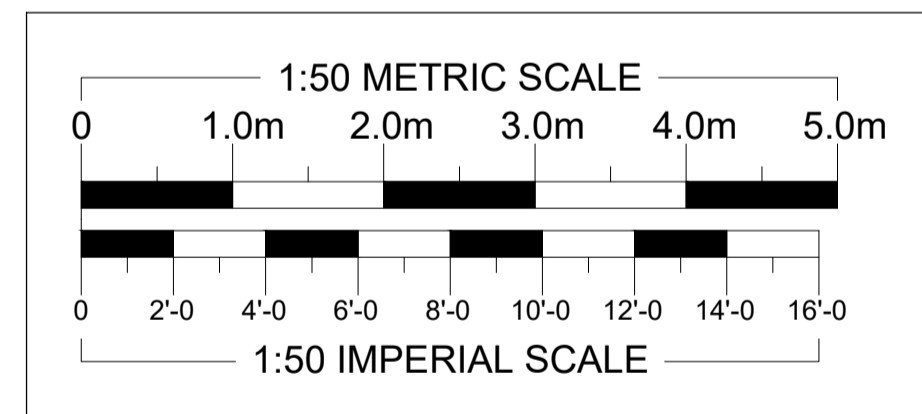
FRONT ELEVATION
(1:50)



SECTION A-A
(1:25)



SECTION B-B
(1:25)



A - Minor amendment		09/17
REVISIONS		DATE
ARTHUR J. FERRYMAN & ASSOCIATES		
ARCHITECTURAL CONSULTANTS • SURVEYORS		
128 HIGH STREET • BUSHEY • HERTS • WD23 3DE Tel: 020 8950 0508 Email: office@ajferryman.co.uk		
TITLE		
RECONSTRUCTION OF GARDEN WALL		
ADDRESS		
18 Fairhazel Gardens London NW6 3SJ		
CLIENT		
Messrs D & P Lee		
SCALE	DRAWN	DATE
AS SHOWN @A1	BMc	08/17
DRAWING	REV.	
217140/02	A	