

NOTES

1. PUDDLE WELD DOOR PANELS TO DOOR

GENERAL CONSTRUCTION

DOOR TYPE SINGLE SENATOR 4 POINT LOCKING
 OUTWARD OPENING

LEAD DETAILS

HANDLING TO SUIT APPLICATION

MATERIAL 3mm OUTER SKIN MILD STEEL
 1.6mm INNER SKIN MILD STEEL

INFILL ROCKWODL

CONSTRUCTION WELD WITH INTERNAL STIFFENERS
 ALL LEAF EDGES CAPPED

FRAME DETAILS

FRAME TYPE SINGLE REBATE

MATERIALS 3mm MILD STEEL

GROMMETS 25MM RUBBER

THRESHOLD CUSTOMER CHOICE

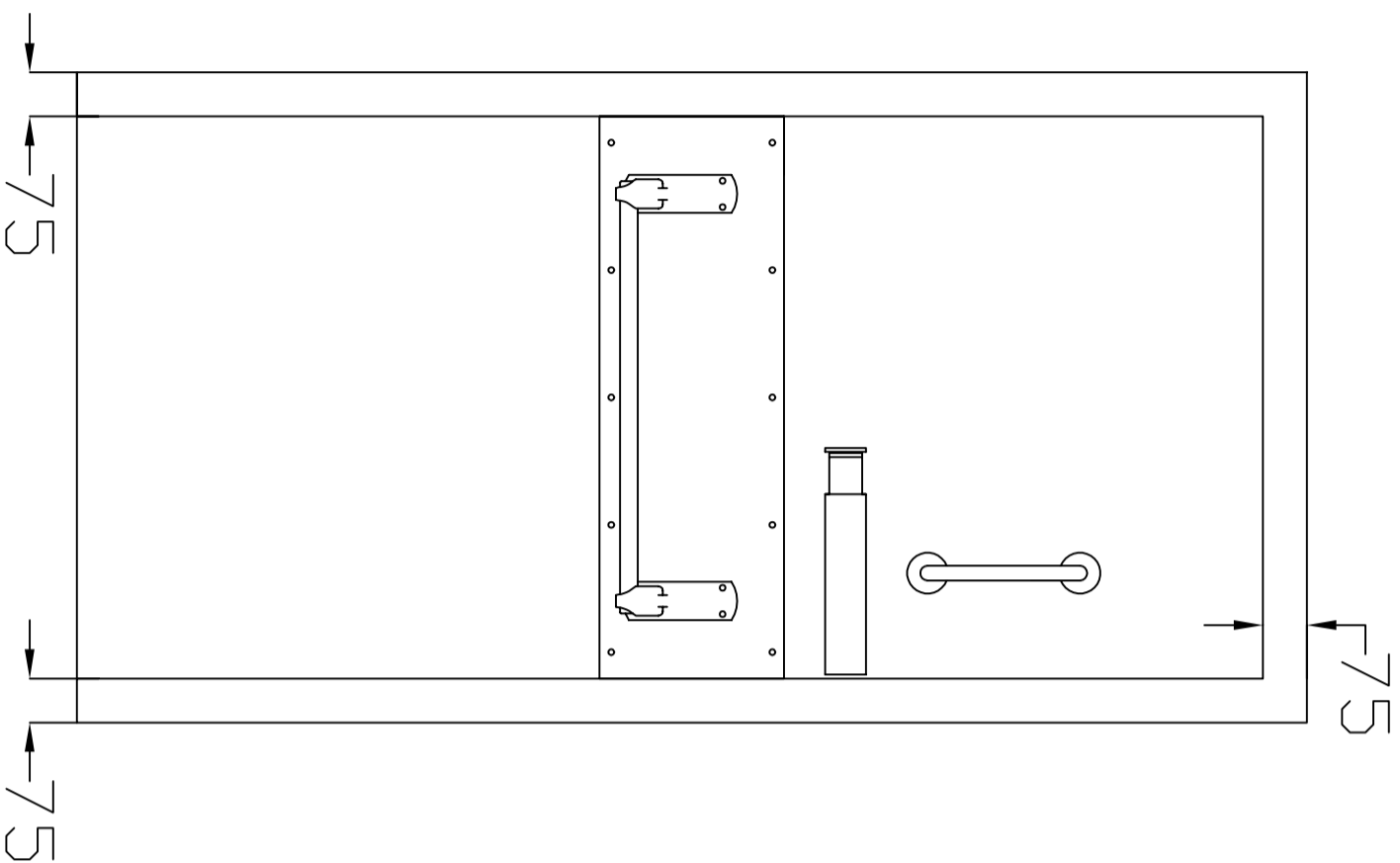
FIXINGS 5 No TO EACH SIDE M12 SLEEVE
 ANCHDRS 100mm LONG
 DR M10 SCREW BOLTS

SEAL ALL OPENING EDGES - 3mm NEOPRENE

CONSTRUCTION WELDED

HARDWARE DETAILS

**4 OFF FACTORY MADE HINGES.
 BUILT IN 4 POINT MECHANISM OPERATED BY PANIC BAR
 OVER NIGHT SLIDE BAR**



HINGES



NOTES

COPYRIGHT OF THIS DRAWING
 RESERVED. TO VERIFY DIMENSIONS
 CONTRACTOR TO VERIFY DIMENSIONS
 BEFORE COMMENCING ON WORK
 DO NOT SCALE FROM DRAWING

CLIENT
 Single Steel Door

CONTRACT

DRAWING

DRAWING NO.

SCALE
 NTS

DATE
 17-12-15

DRAWN BY
 SP

REVISION

