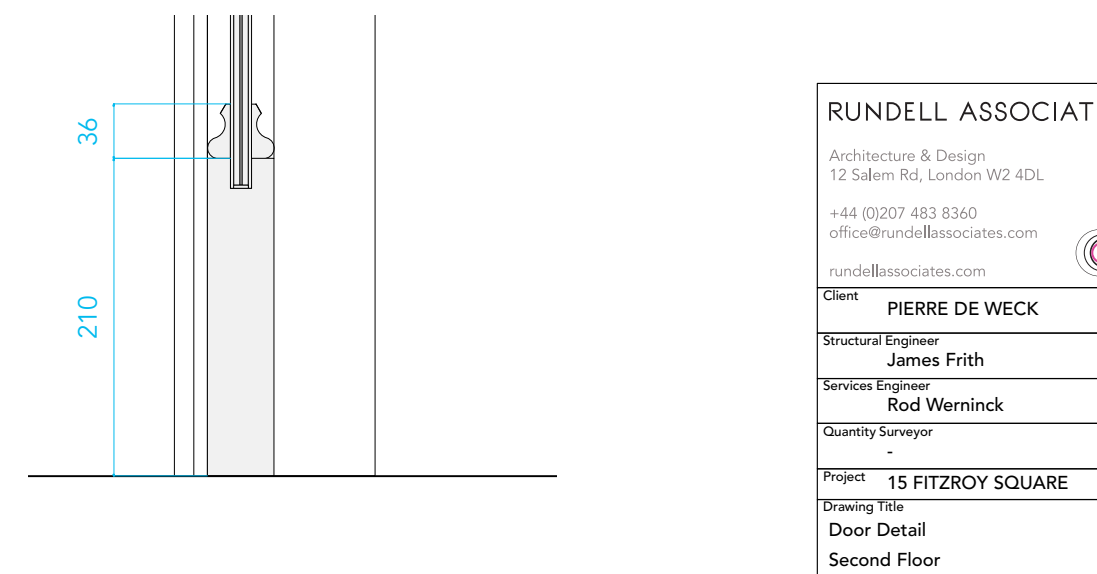
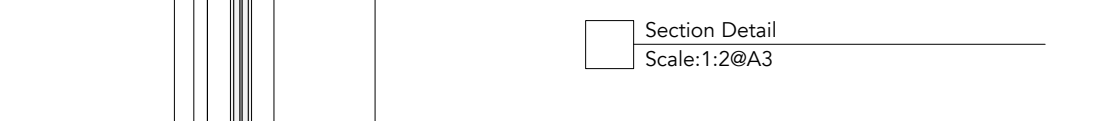
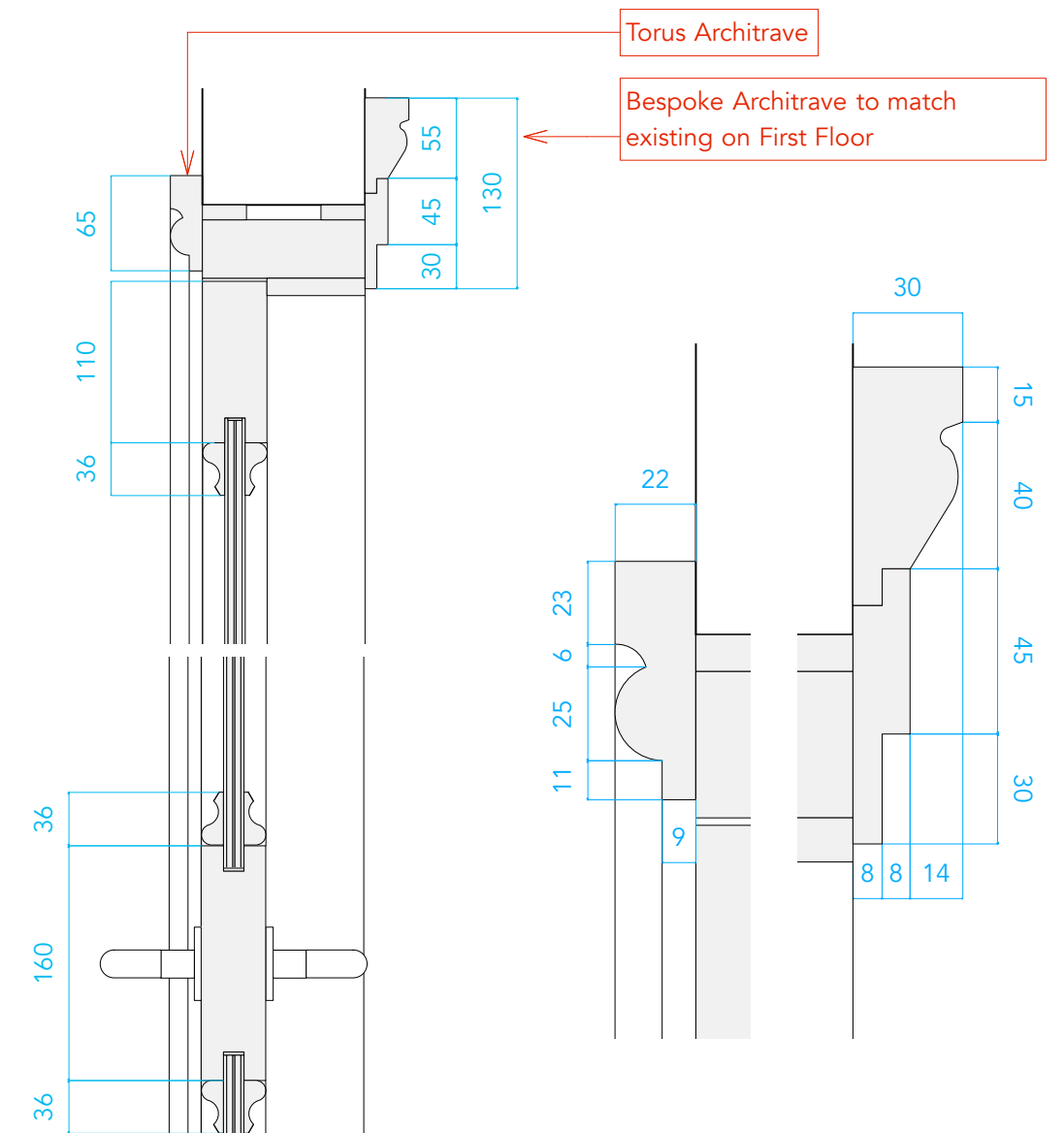
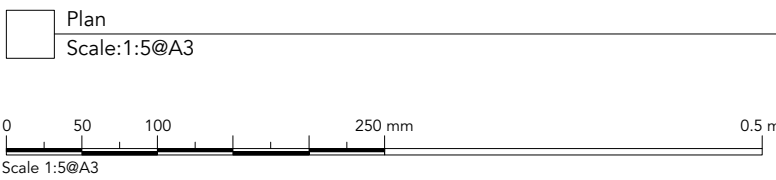
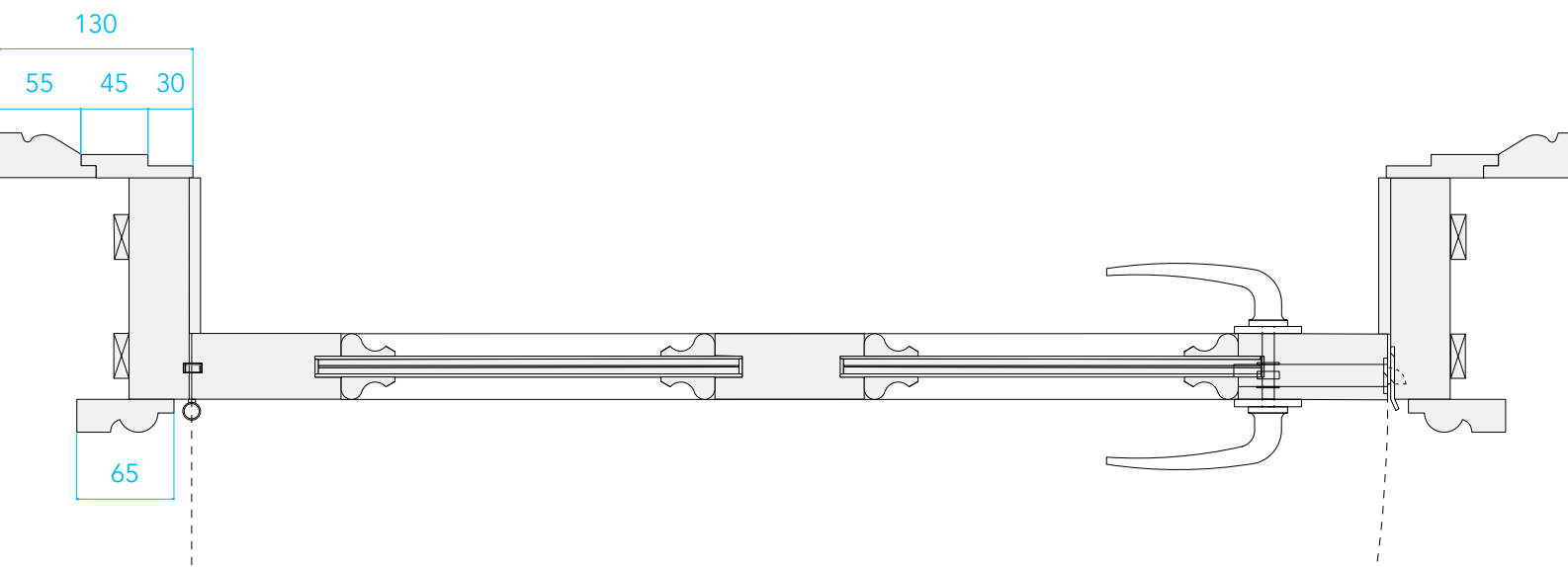
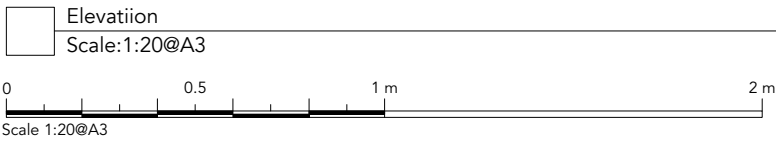
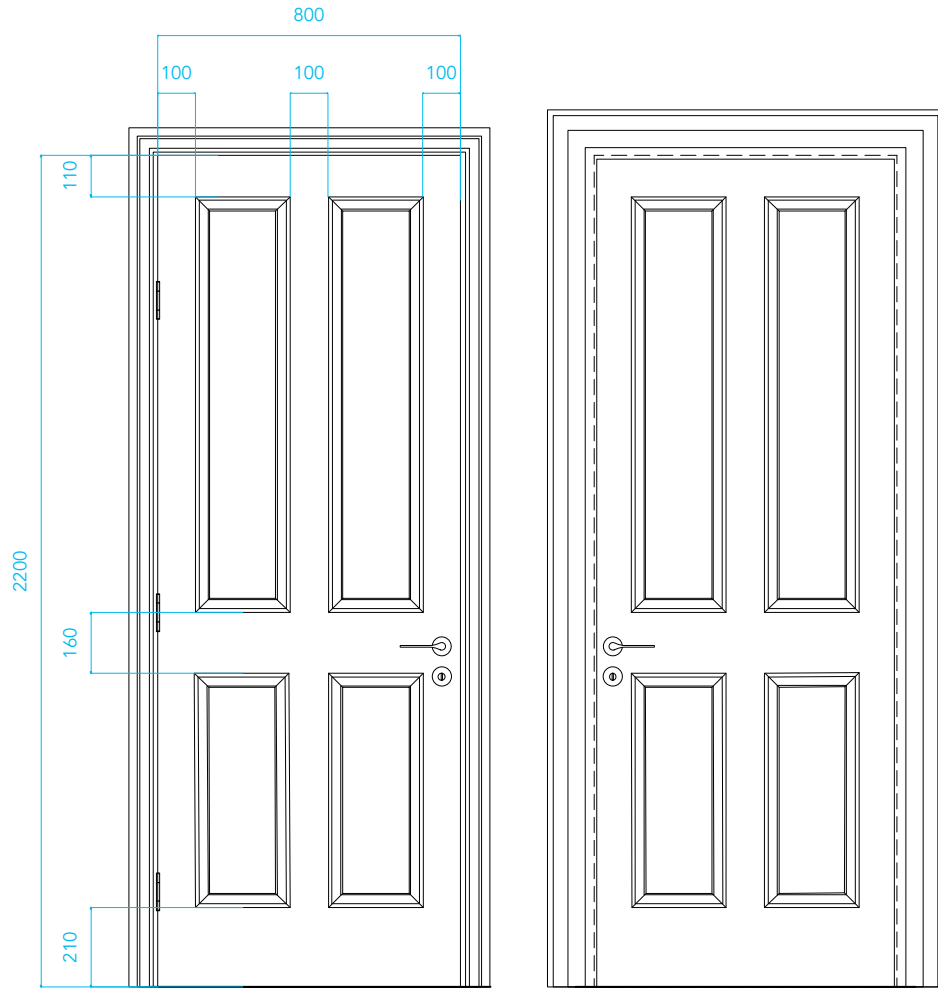


CONDITON F

Plan, elevation and typical moulding profile of new doors

Type 1	Panelled door
Location	Library
Structural Opening	-
Frame	Timber
Finishes	White Paint
Dwg Ref	-

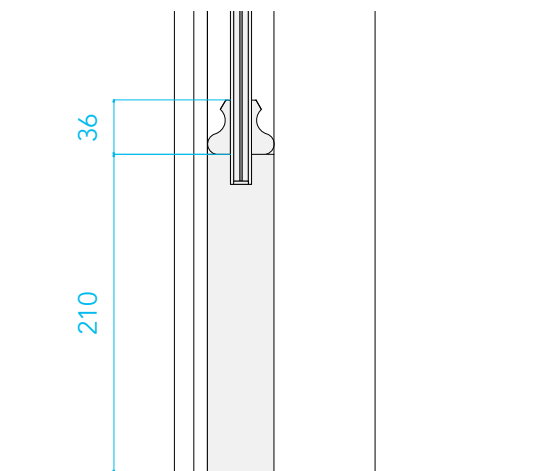
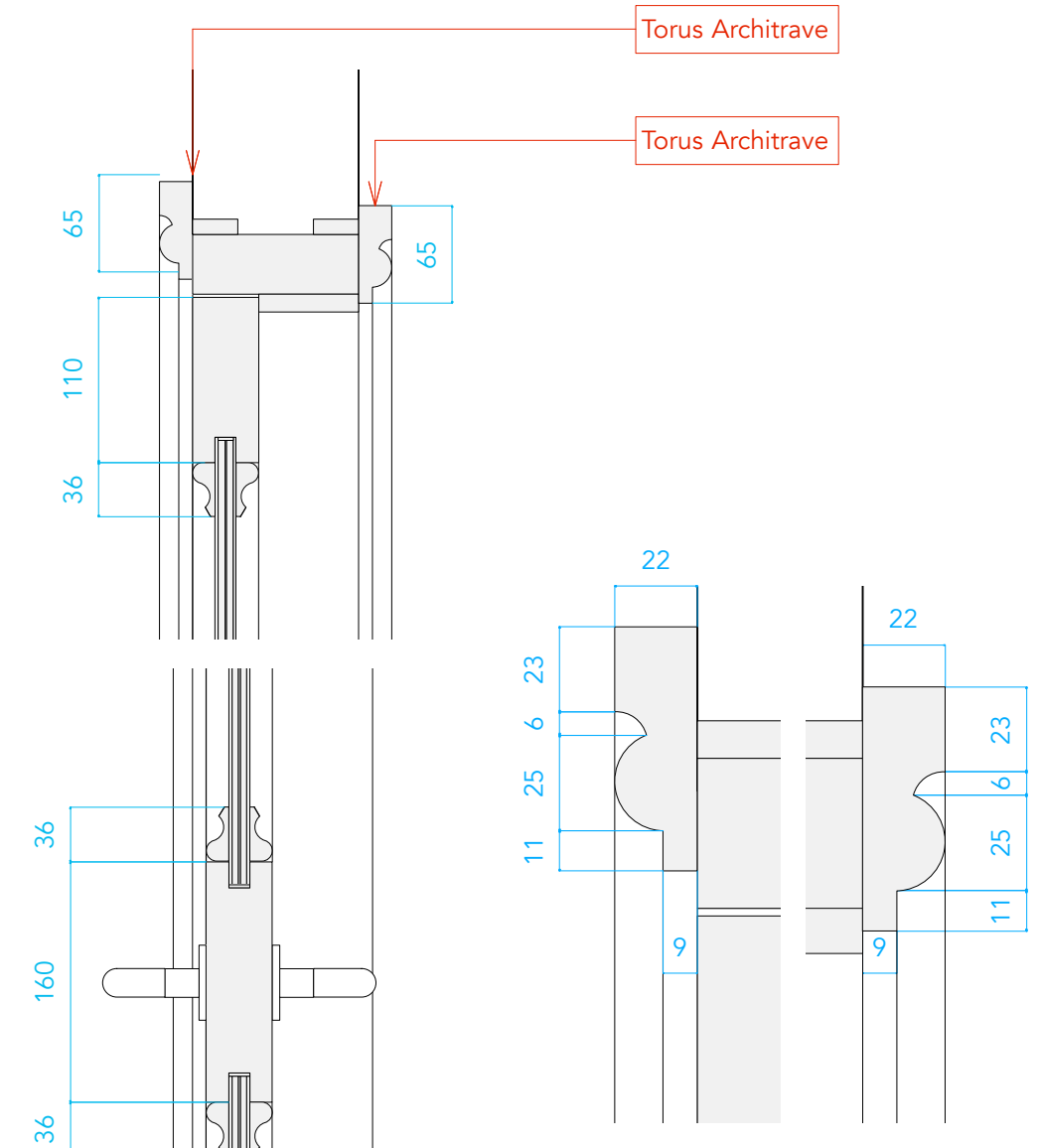
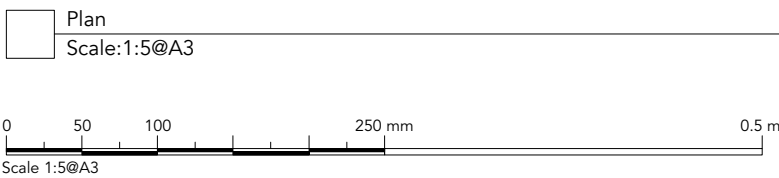
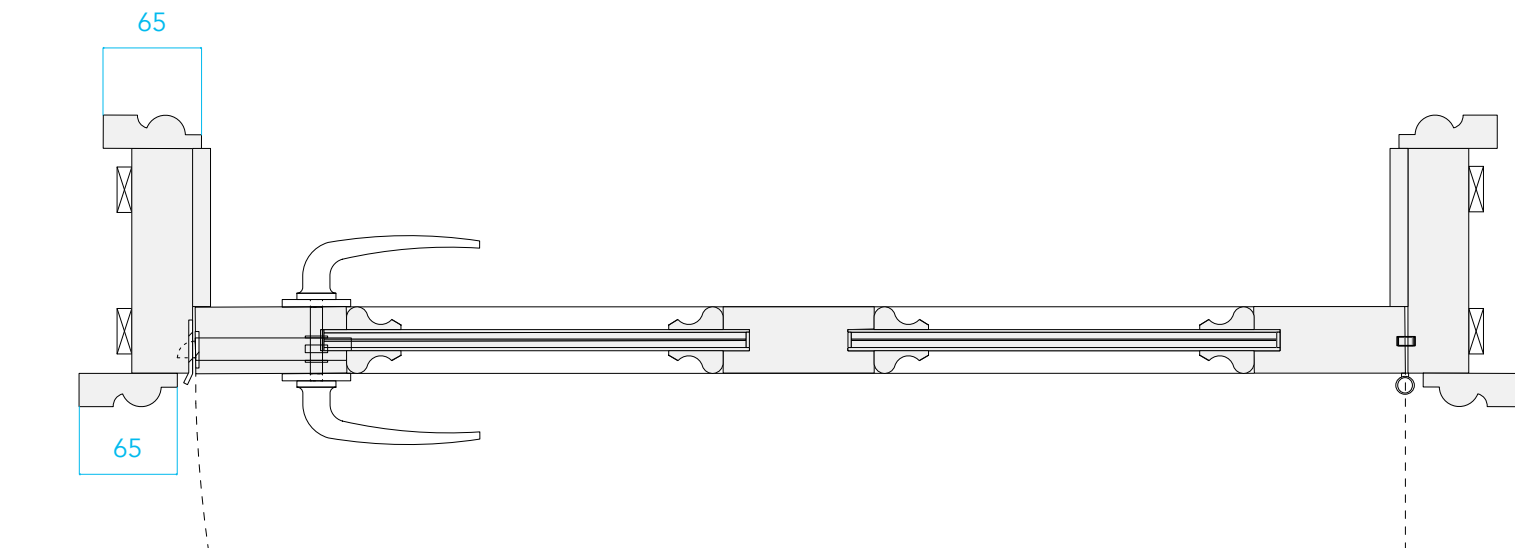
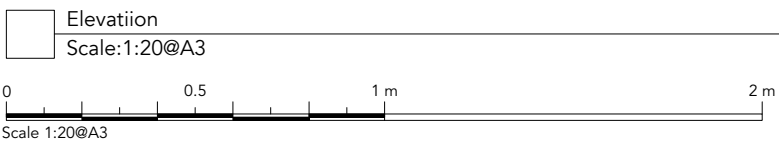
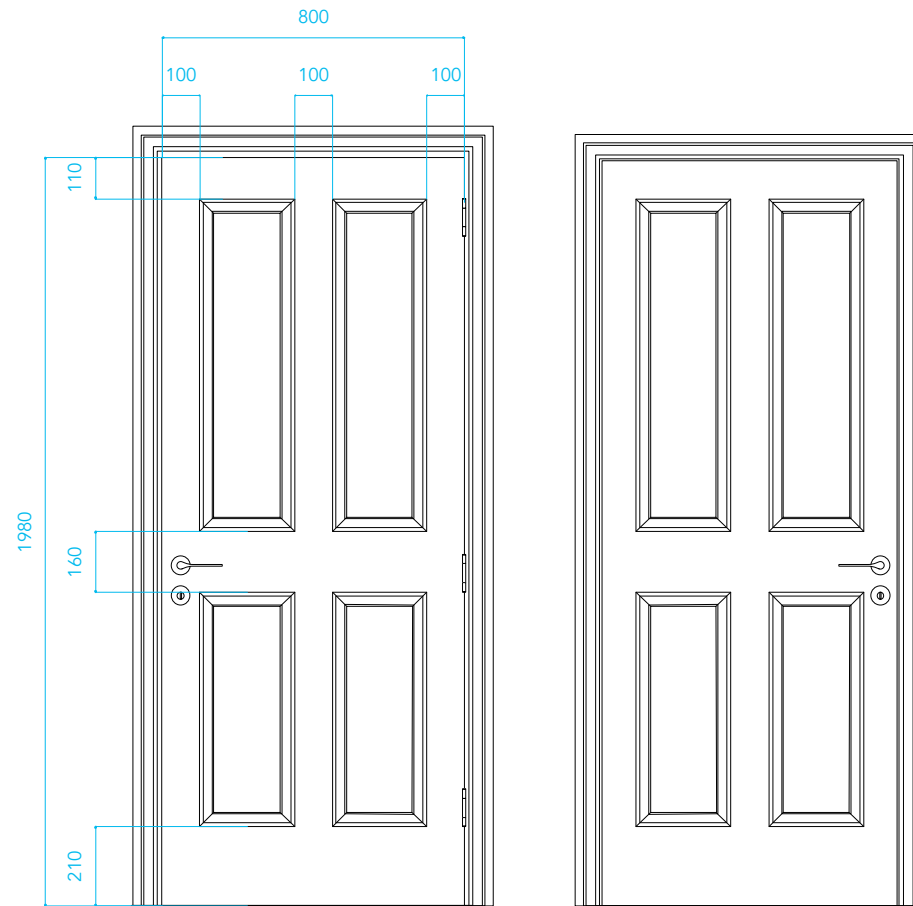


RUNDELL ASSOCIATES	
Architecture & Design 12 Salem Rd, London W2 4DL	
+44 (0)207 483 8360 office@rundellassociates.com	
rundellassociates.com	
Client	PIERRE DE WECK
Structural Engineer	James Frith
Services Engineer	Rod Werninck
Quantity Surveyor	-
Project	15 FITZROY SQUARE
Drawing Title	Door Detail
Second Floor	
Type 1	
Date	20.08.17
Scale	1:20 @ A3
Job No.	3305
Drawing No.	P901
Drawn by	ML
Checked	MR

CONDITON F

Plan, elevation and typical moulding profile of new doors

Type 2	Panelled door
Location	Library
Structural Opening	-
Frame	Timber
Finishes	White Paint
Dwg Ref	-



RUNDELL ASSOCIATES

Architecture & Design
12 Salem Rd, London W2 4DL

+44 (0)207 483 8360
office@rundellassociates.com

rundellassociates.com

Client **PIERRE DE WECK**

Structural Engineer
James Frith

Services Engineer
Rod Werninck

Quantity Surveyor
-

Project **15 FITZROY SQUARE**

Drawing Title
Door Detail
Second Floor
Type 2

Date **27.07.17** Revision

Scale **1:20 @ A3**

Job No. **3305**

Drawing No. **P902**

Drawn by **ML** Checked **MR**