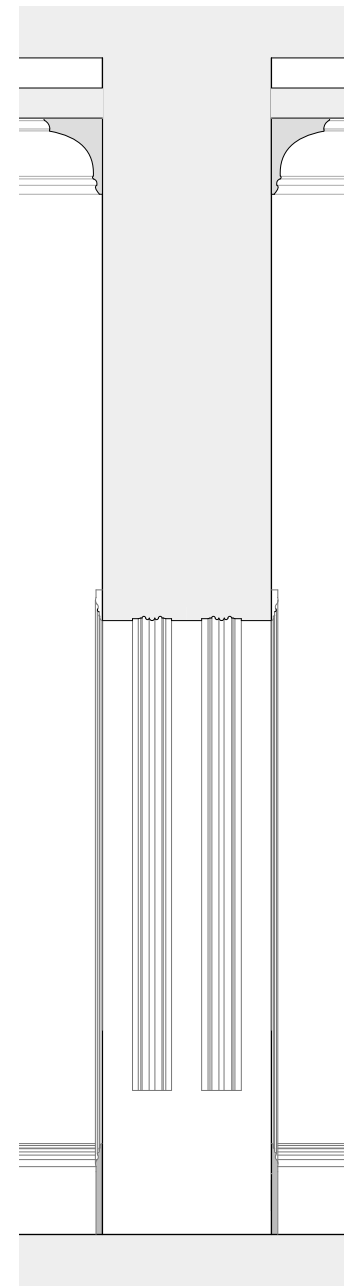
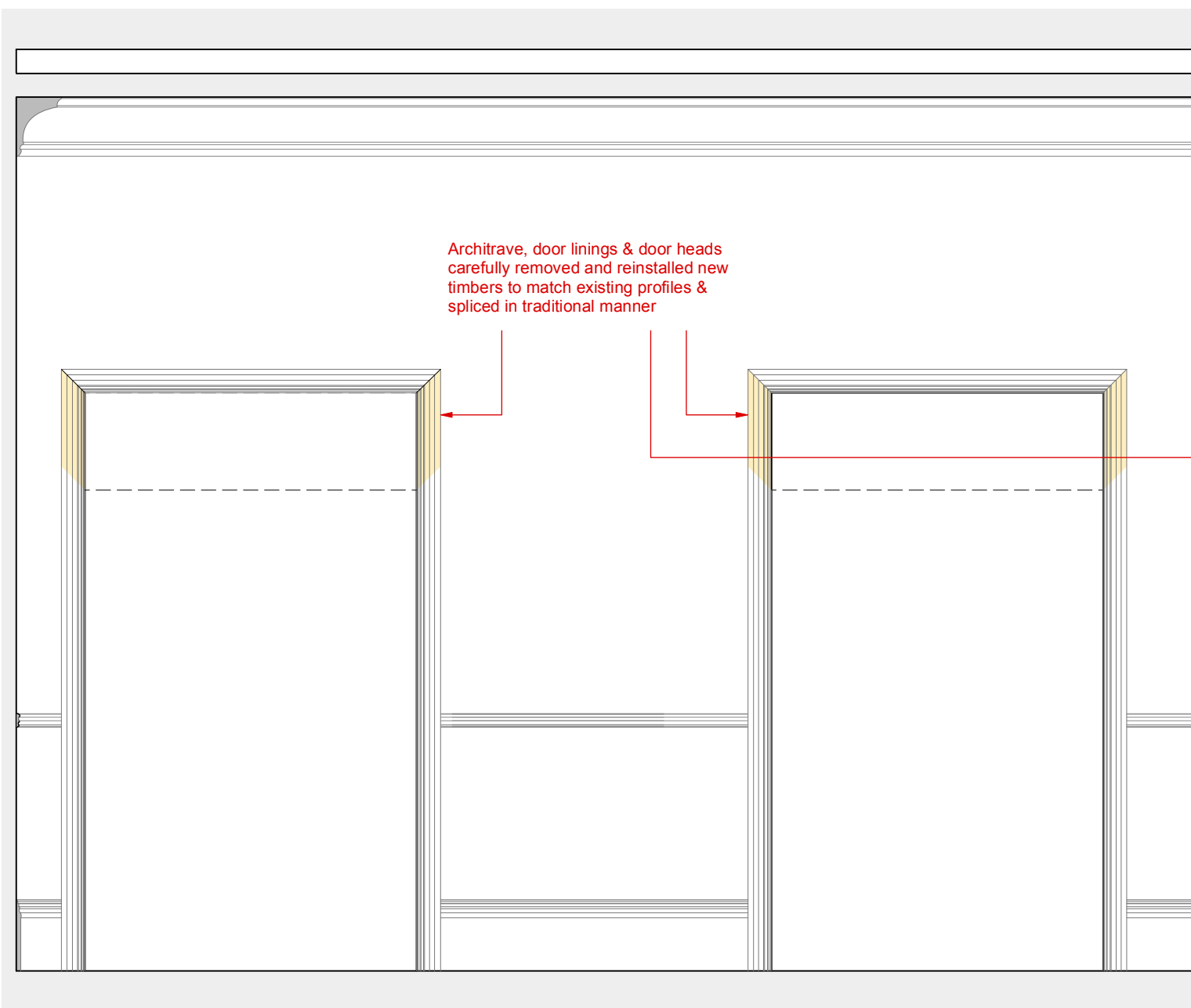


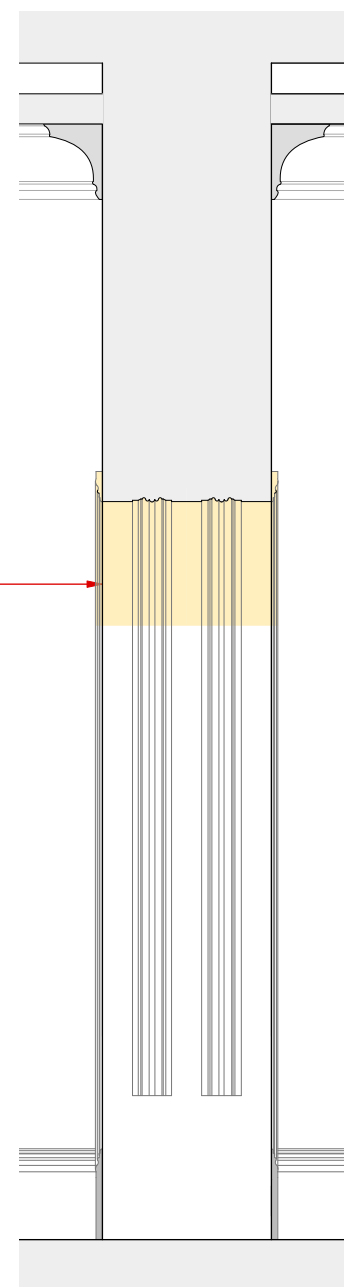
Existing Section/Elevation C @ 1:25



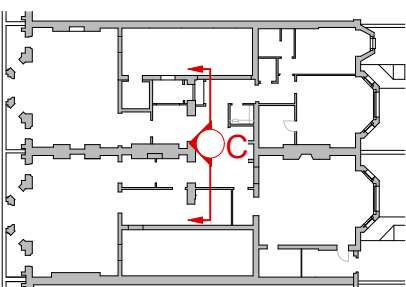
Existing Door Frame Detail @ 1:25



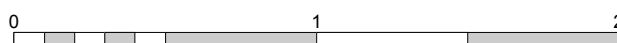
Proposed Section/Elevation C @ 1:25



Proposed Door Frame Detail @ 1:25



Scale Bar



David Quigley Architects 2 Albemarle Way, Clerkenwell, London EC1V 4JB Tel: 020 7251 1880 E-Mail: info@davidquigleyarchitects.co.uk			
Job: Flat 2, 5 Cambridge Gate	Client:		
Title: Section/Elevation C - Existing/Proposed			
Scale: 1:25 @ A3	Date: July 2017	Drwg No: CG-PL-105	Rev: /
<small>This drawing is copyright. Do not scale from the drawing work only to figured dimensions. The contractor is to verify all dimensions onsite before commencing work. All errors and omissions are to be reported to the Architect. The drawing shall be read in conjunction with all relevant drawings and specifications. If in doubt, ask.</small>			