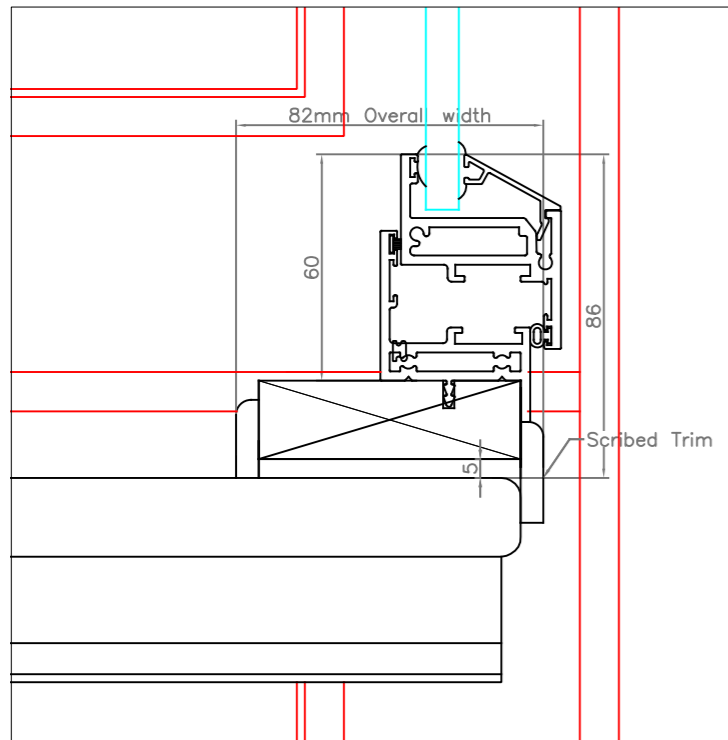
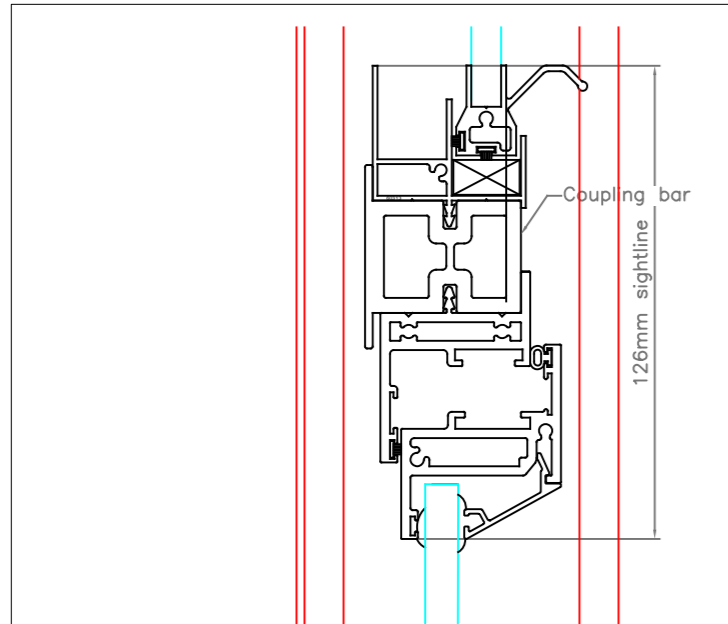
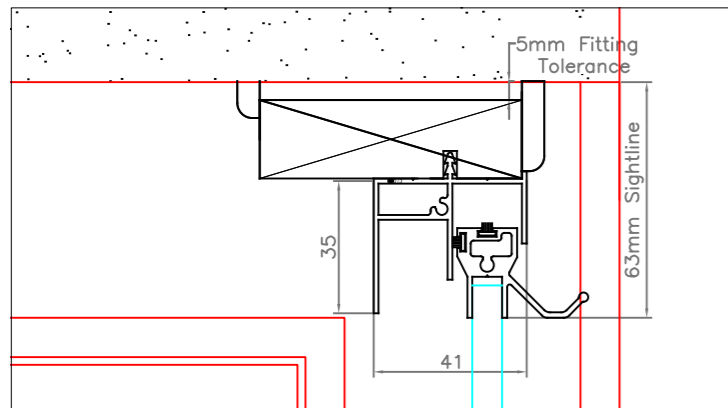


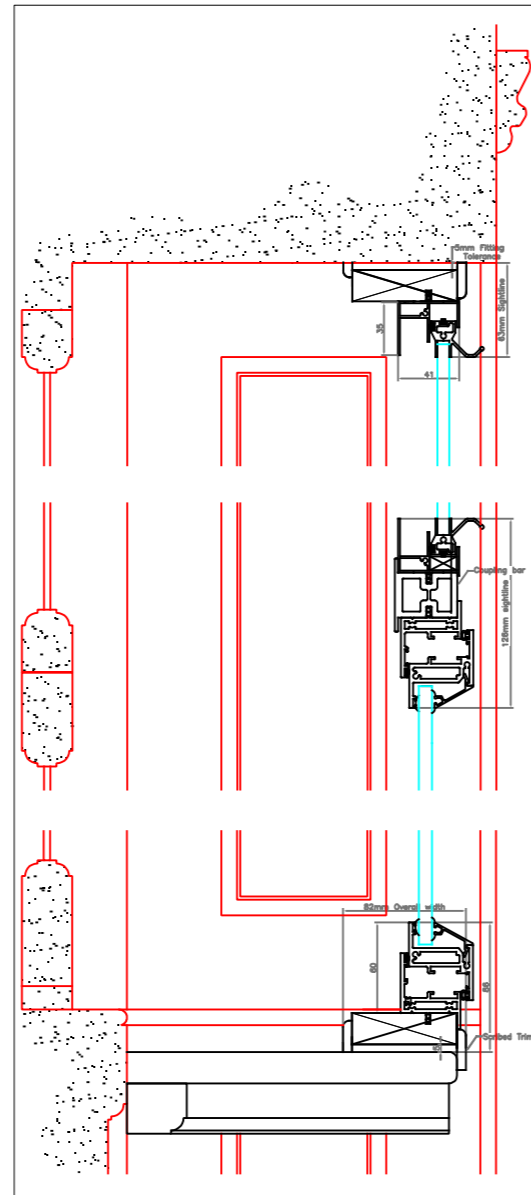
Specification

Aluminium 6063T6 alloy to BS EN 755 standard, powder coated to BS 6496 to 60 micron finish.
Aluminium Finish: White.
Sub-Frame: Primed high quality, environmentally certified (MTCS) engineered timber.
Glazing: All frames are factory glazed in 8.8mm Clear Acoustic Laminated glass.
Gasket colour: White.

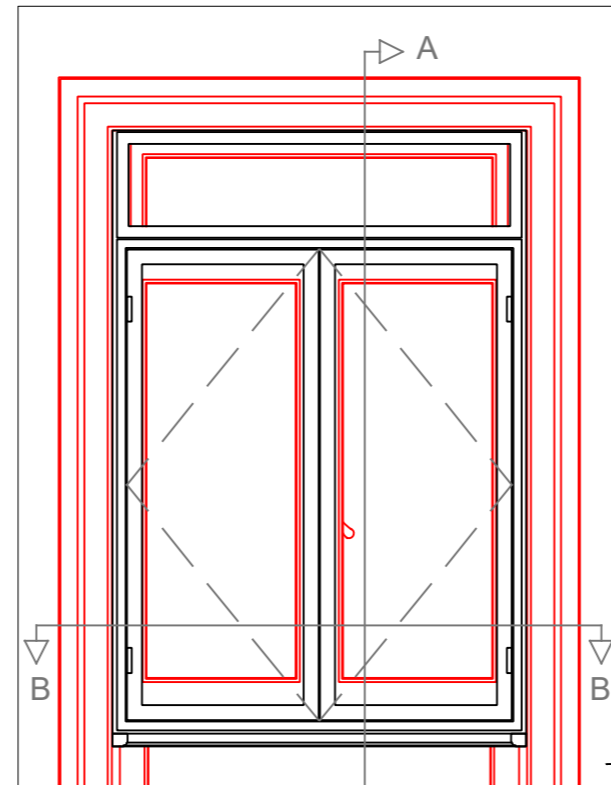
In line with our company policy of continuous product development and improvement, Granada reserves the right to make minor alterations to specification without notice.



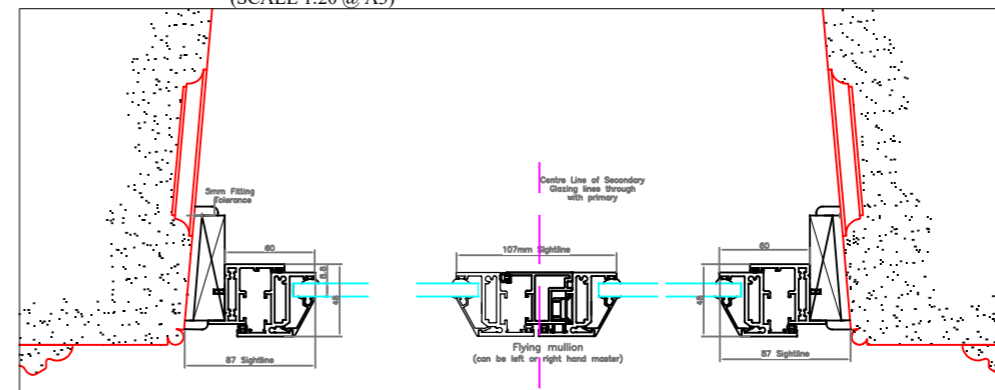
VERTICAL SECTION A-A - PVE34-00-01 & PVE34-00-02 INC. PROFILE DETAILS
(SCALE 1:2 @ A3)



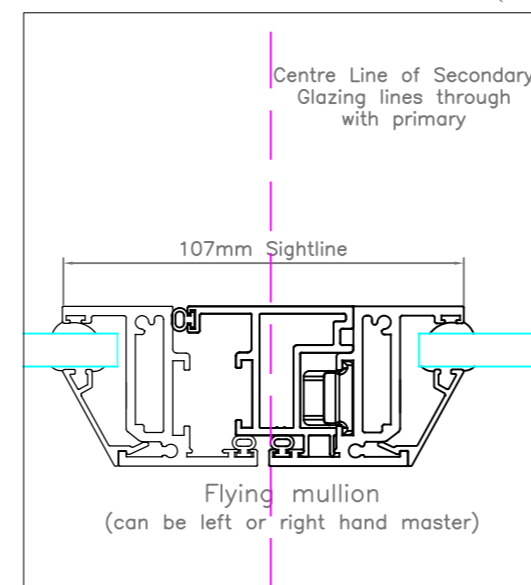
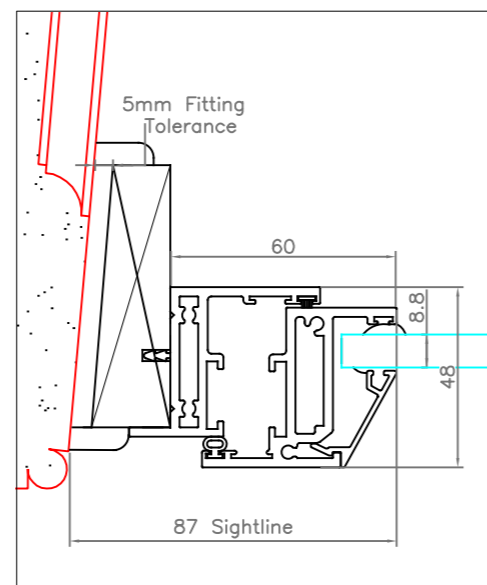
VERTICAL SECTION - PVE34-00-01 & PVE34-00-02
(SCALE 1:5 @ A3)



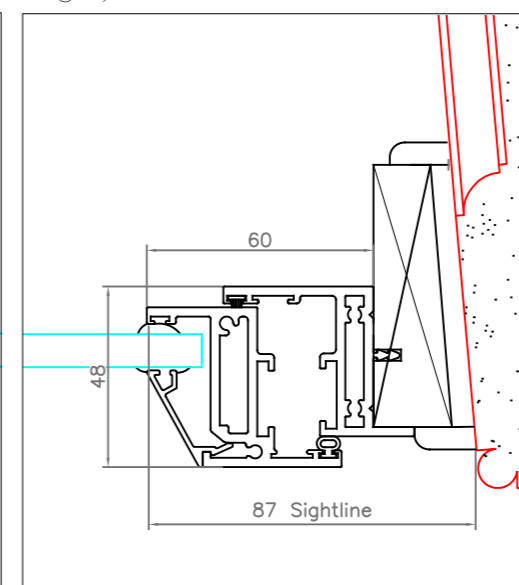
PROPOSED ELEVATION - PVE34-00-01 & PVE34-00-02
(SITTING ROOM) WITH SECONDARY GLAZING.
(SCALE 1:20 @ A3)



HORIZONTAL SECTION - PVE-00-01 & PVE-00-02
(SCALE 1:5 @ A3)



HORIZONTAL SECTION B-B - PVE34-00-01 & PVE34-00-02 INC. PROFILE DETAILS
(SCALE 1:2 @ A3)



PROPOSED - Ground Floor Sitting Room (East Facing Front Elevation)

Approved Drawing	
Approved by:	Print Signature
Date:	

Drawing Title: Listed Building Consent for HS2 Secondary Glazing

Project: 34 Park Village East

Client: CSJV

Scale: As Noted 1st issue date: 18.05.17.

Drawn by: MW Checked: RH

Drawing Number: P2229-PVE34-00-01/02P

Rev	Date	Notes
-	18.05.17	First issue of drawings

This drawing belongs to the above company and no unauthorised copy or disclosures can be made by or to a third party and be returned whenever required.

