

GENERAL NOTES

DO NOT SCALE FROM THIS DRAWING.
 FIGURED DIMENSIONS ARE TAKEN TO STRUCTURE UNLESS INDICATED OTHERWISE.
 ALL DIMENSIONS TO BE CHECKED ON SITE PRIOR TO COMMENCEMENT OF WORK.
 DRAWING TO BE READ IN CONJUNCTION WITH ALL OTHER ARCHITECTS DRAWINGS, CONSULTANTS AND SPECIALISTS DRAWINGS, CONSTRUCTION NOTES, SPECIFICATIONS AND EMPLOYER'S REQUIREMENTS WHERE APPLICABLE.
 ANY DISCREPANCY MUST BE BROUGHT TO THE ATTENTION OF PCKO. IF IN DOUBT, ASK.
 ANY MODIFICATION TO THIS DRAWING MUST BE CARRIED OUT BY PCKO.
 THIS DRAWING REMAINS UNDER THE COPYRIGHT OF PCKO ARCHITECTS LIMITED. PLEASE OBTAIN PERMISSION BEFORE COPYING.
 WHERE METHOD OF CONSTRUCTION INCORPORATES TIMBER/LIGHT GAUGE STEEL FRAME ALL ELEMENTS OF FRAME INCLUDING STUD LOCATIONS, NOGGINS, SHEATHING, UNTELS, TRUSSESS AND WIND BRACING TO BE TO FRAME MANUFACTURER'S DESIGN, DETAIL AND SPECIFICATION.
 ALL STRUCTURAL ELEMENTS ARE SHOWN INDICATIVELY. FOR ALL ELEMENTS OF STRUCTURE REFER TO STRUCTURAL ENGINEER'S AND SPECIALIST SUB-CONTRACTOR/FABRICATOR'S DESIGN, DETAIL AND SPECIFICATION.
 ALL MECHANICAL AND ELECTRICAL ELEMENTS ARE SHOWN INDICATIVELY. FOR ALL M&E INSTALLATIONS REFER TO BUILDING SERVICES ENGINEER'S AND SPECIALIST SUB-CONTRACTOR'S DESIGN, DETAIL AND SPECIFICATION.

A HEAD DETAIL

60 min AIM VRB plus cavity barrier (or equal approved)

Wall ties within 300mm of angle support

Cavity tray DPC dressed over brickwork support, Small profile weephole, Rytweep or similar approved

Thermabate cavity closer 1/2 hr fire resistance, fitted in accordance with manufacturers instructions

Arbosil 1096 silicone sealant from Adsead Ratcliffe or similar approved applied as manufacturers recommendations between header brick and frame

PPC steel plate (colour to match windows) welded to u/s of brick support angle/brackets.

Head brickwork to be supported via Ancon MDC support system (refer to SE drawings for details and locations). Bracket to be connected to slab through thermal isolator pads as Ancon recommendations.

Aluminium door system including fanlight over

Aluminium door system as Spec L20/480C

15mm threshold with thermal break

Drainage channel on concrete haunching

For external finishes refer to Landscape Architects details

Precast concrete cill supported across cavity

DPM dressed up slab edge, insulation and screed and returned under threshold section

Slab edge with toe, and insulation, as shown on drawing WD411. Brickwork set back as shown

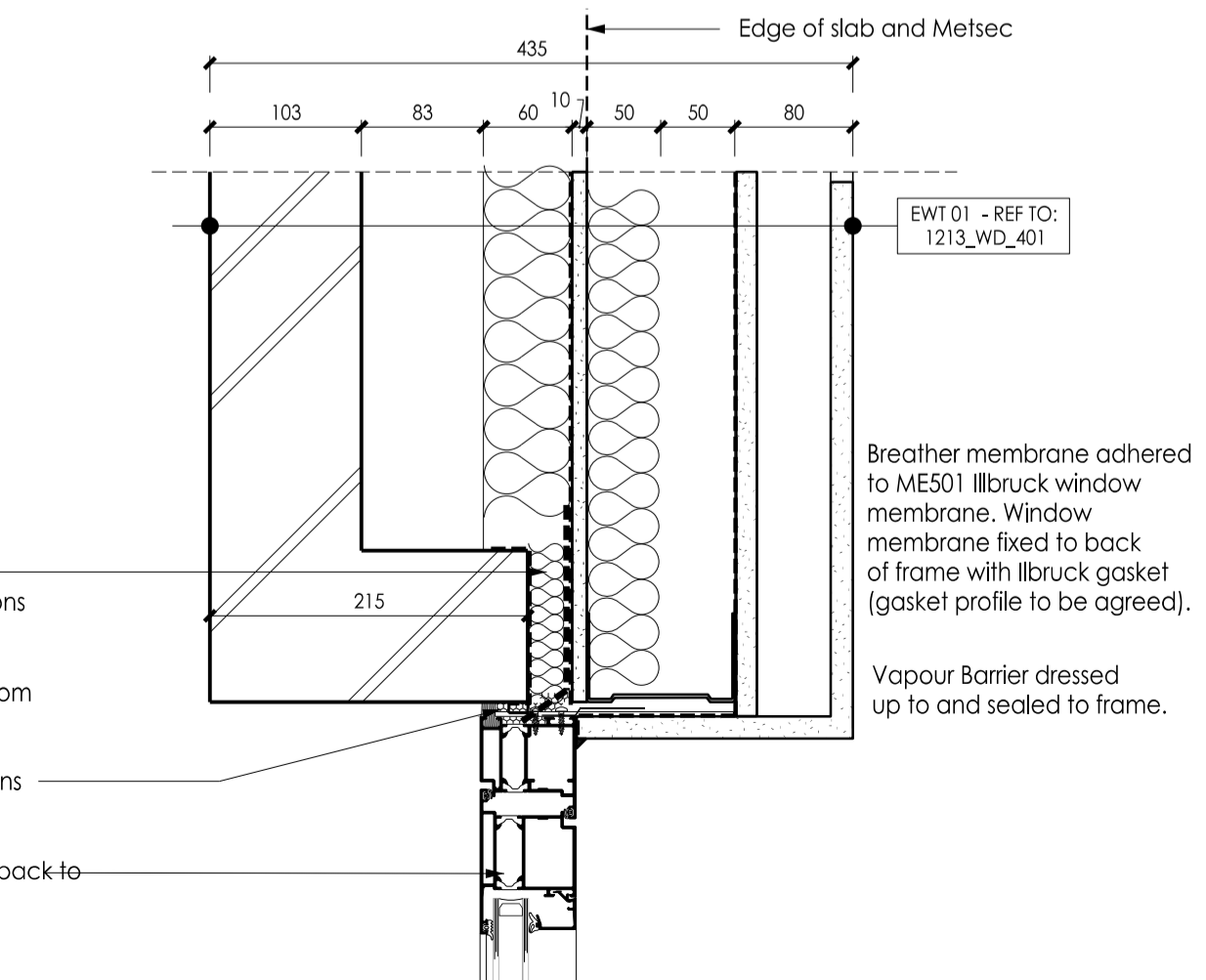
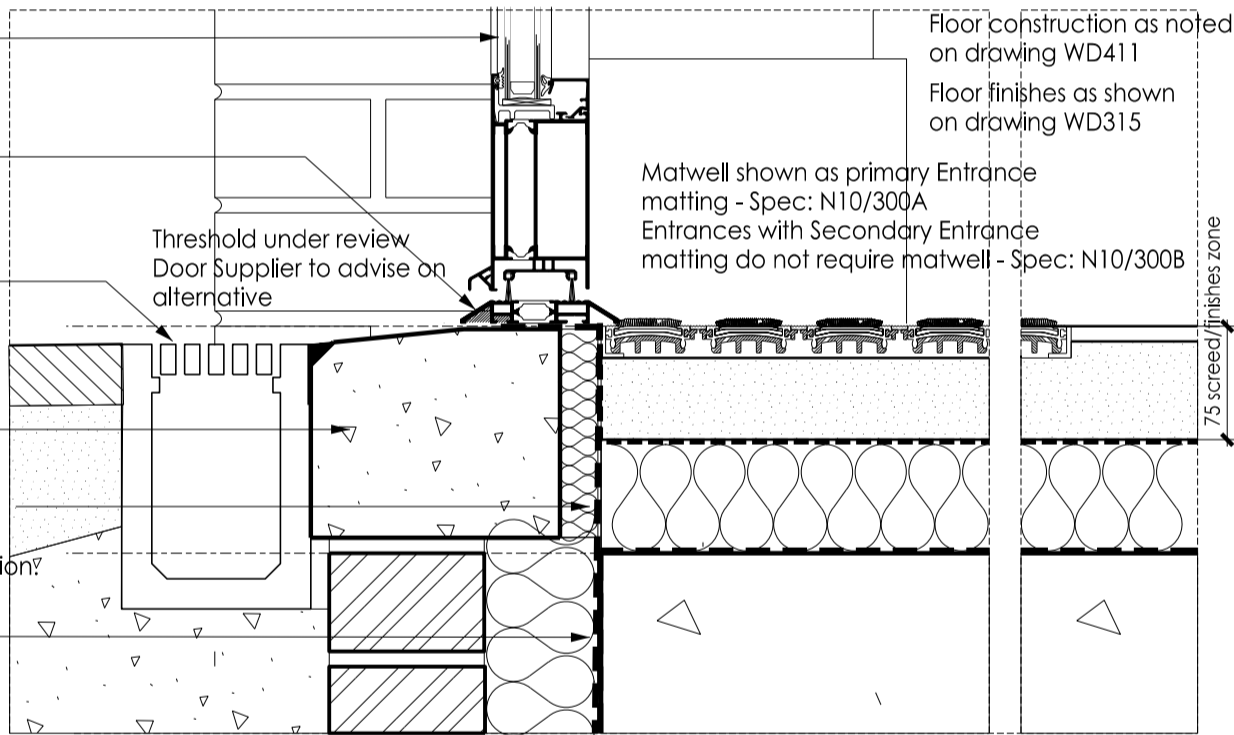
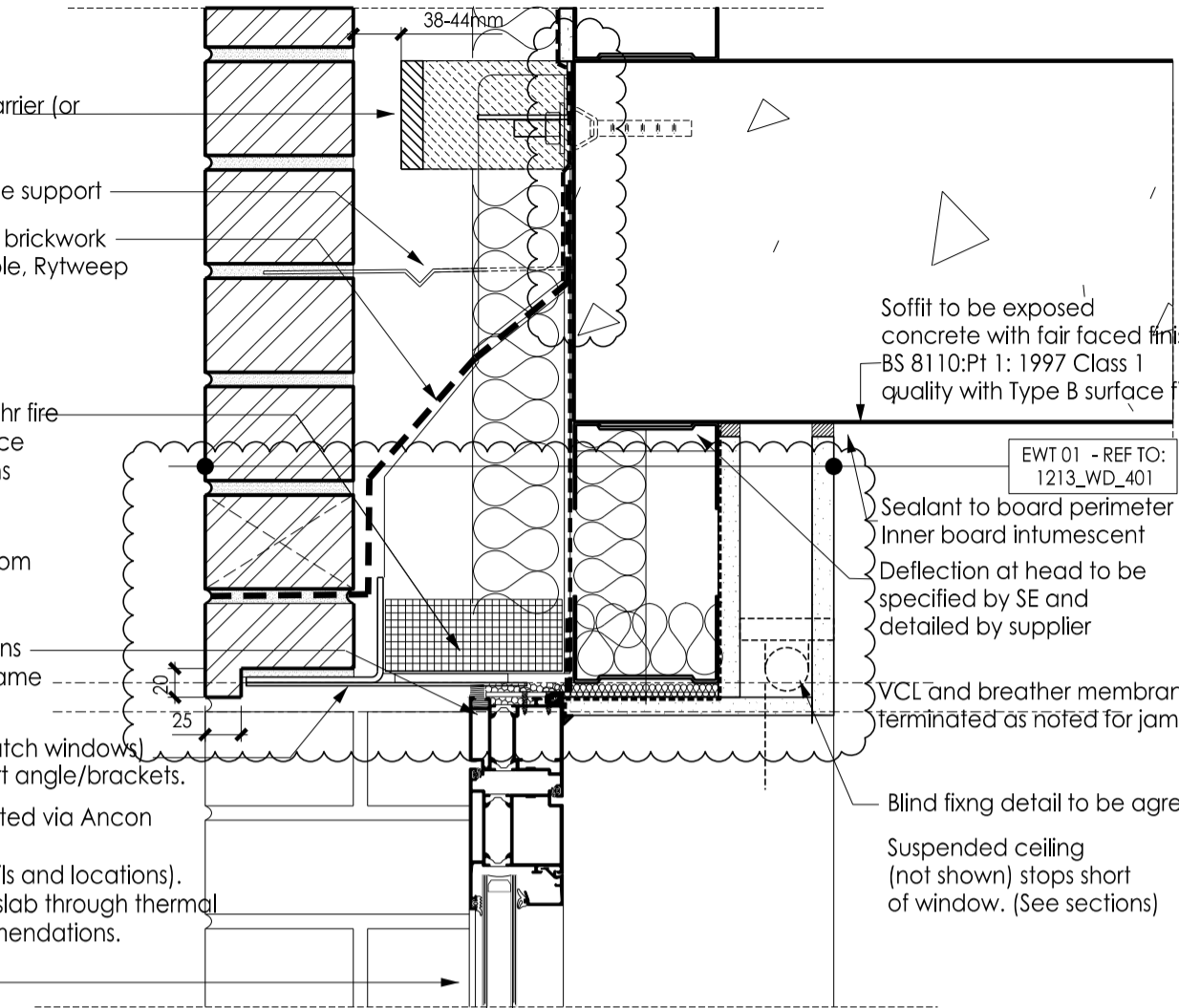
B CILL DETAIL

30mm Roclose cavity closer fitted in accordance with manufacturers recommendations

Arbosil 1096 silicone sealant from Adsead Ratcliffe or similar approved applied as manufacturers recommendations

Aluminium door system, fixed back to LGS frame to suppliers detail.

C JAMB DETAIL



DATE	REV.	DESCRIPTION	BY	CHECKED
20.02.17	B	Window head raised by 10mm, as KCL comments 10.02.17. CP board removed from behind cavity barrier and cavity tray extended to breather membrane. Issued for Construction	RS	RS
03.02.2017	A	Reference to Velfac omitted, Soffit brickwork revised as email instruction 17.01.17. Fire resistance of cavity barrier and fire stop confirmed.	RS	RS

PCKO
 an HR company
 5 - 8 HARDWICK STREET
 LONDON EC1R 4RG
 TEL: 020 - 7372 - 8918
 www.pcko.co.uk

ARCHITECTS INTERIOR DESIGNERS
 MASTER PLANNERS URBAN DESIGNERS

CLIENT	Kier Group		
PROJECT	Greenwood Centre		
DRAWING TITLE	Typical External Door Detail Ground Floor		
STATUS	COMMENT		
SCALE	1:5 @A3	DRAWN BY	RS
DATE	2016.06	CHECKED BY	PH
DRAWING NO.	1213_WD_434	REVISION	B