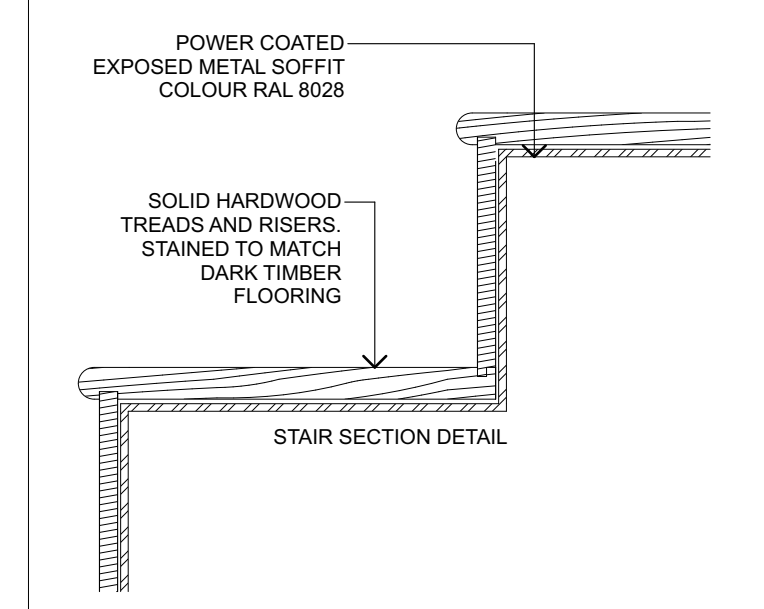


KEY PLAN

NOTE:  
ALL INFORMATION SHOWN ON THIS DRAWING IS SUBJECT TO DESIGN DEVELOPMENT BY SPECIALIST

THIS DRAWING SHOWS CONCEPT DESIGN ONLY.  
STEEL STAIRCASE TO BE DEVELOPED FURTHER BY SPECIALIST MANUFACTURER BASED ON THIS CONCEPT.



STAIR SECTION DETAIL

FOR TENDER

REVISION	DRN	CHKD	DATE
T1 Issued for Tender	NV	KC	18/04/2017
T2 Balustrade information revised	KC	KC	20/06/2017
T3 Detail Added	KC	KC	03/07/2017
RAL information Added	KC	KC	03/07/2017



CLIENT  
MOUNT ANVIL LTD

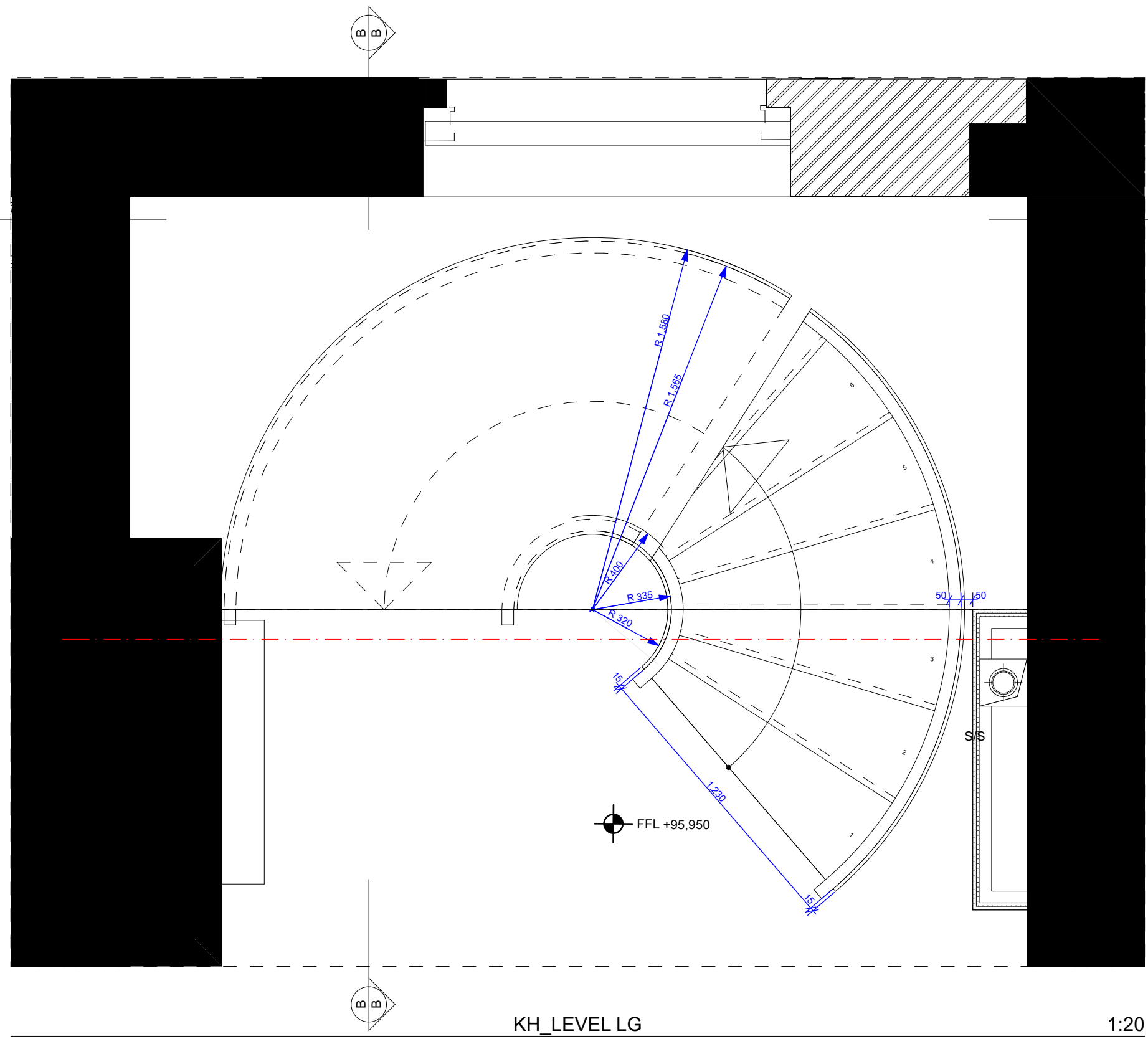
PROJECT  
KIDDERPORE AVENUE

DRAWING  
Kidderpore Hall  
LG-UG Stair 1

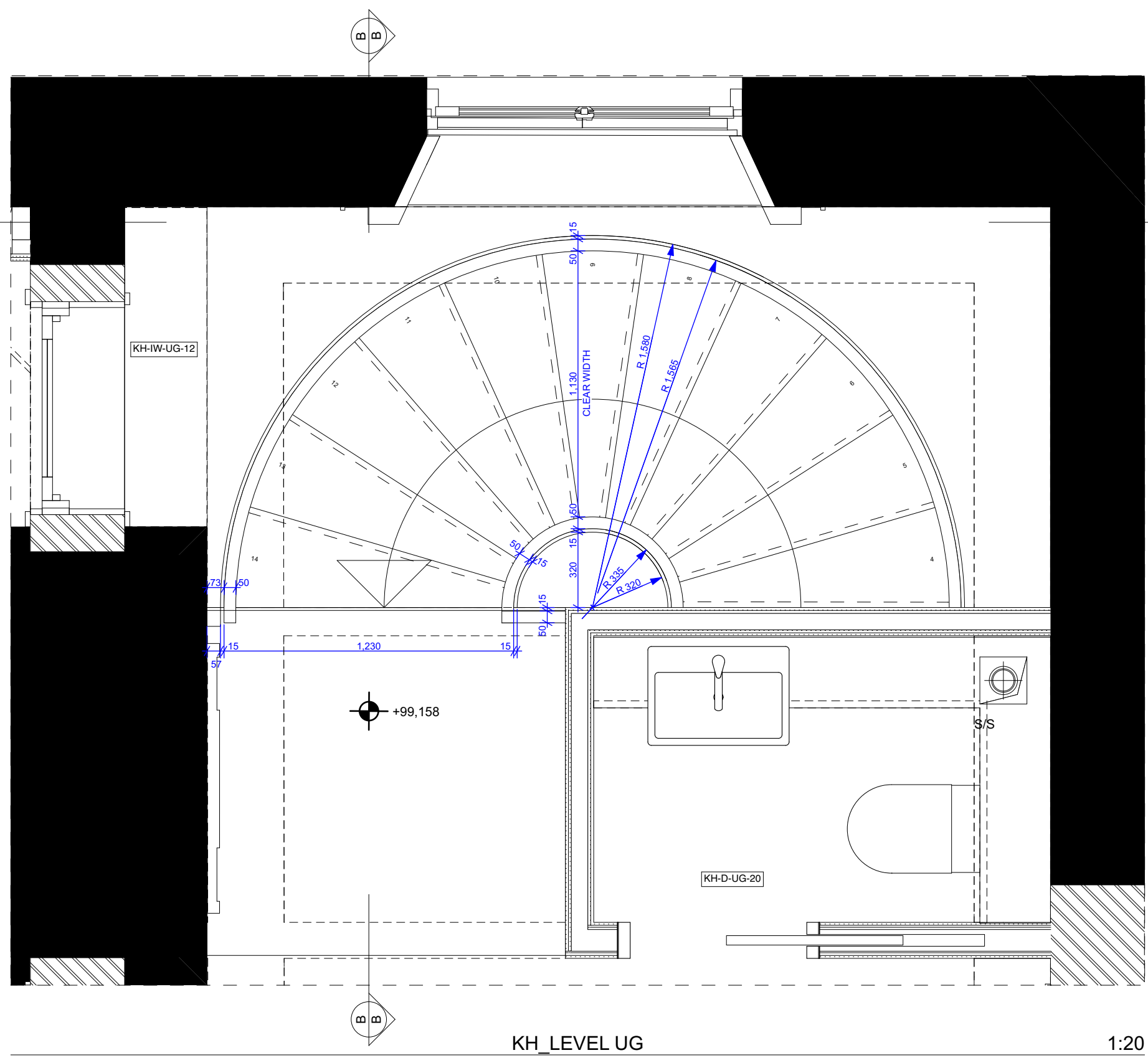
SCALE 1:20, 1:5 @ A1 DATE 03/07/2017

DRAWING No. 15 230  
9000-DRG-55KH- AL001

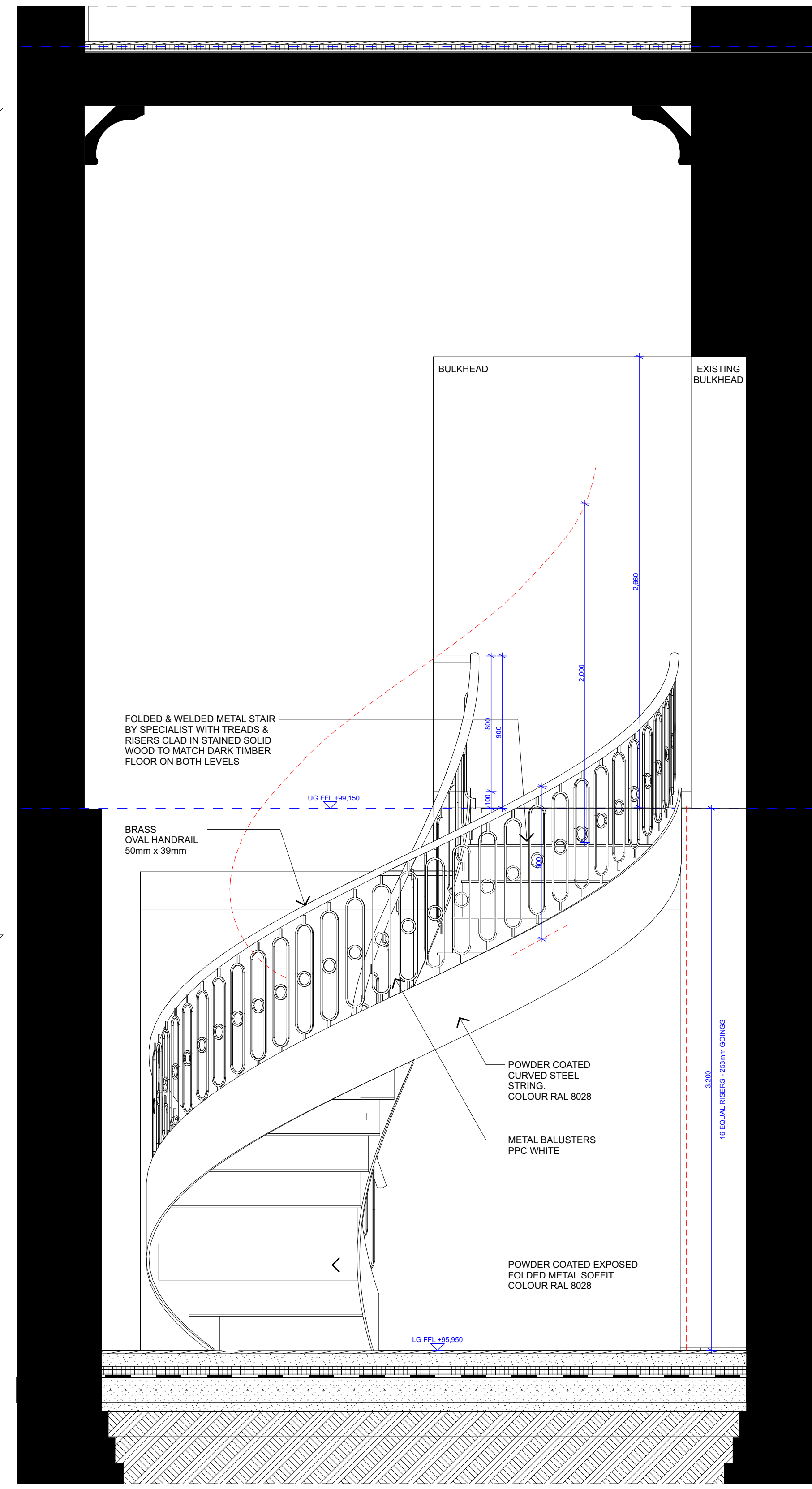
ARCHITECTURE DESIGN MASTERPLANNING INTERIORS



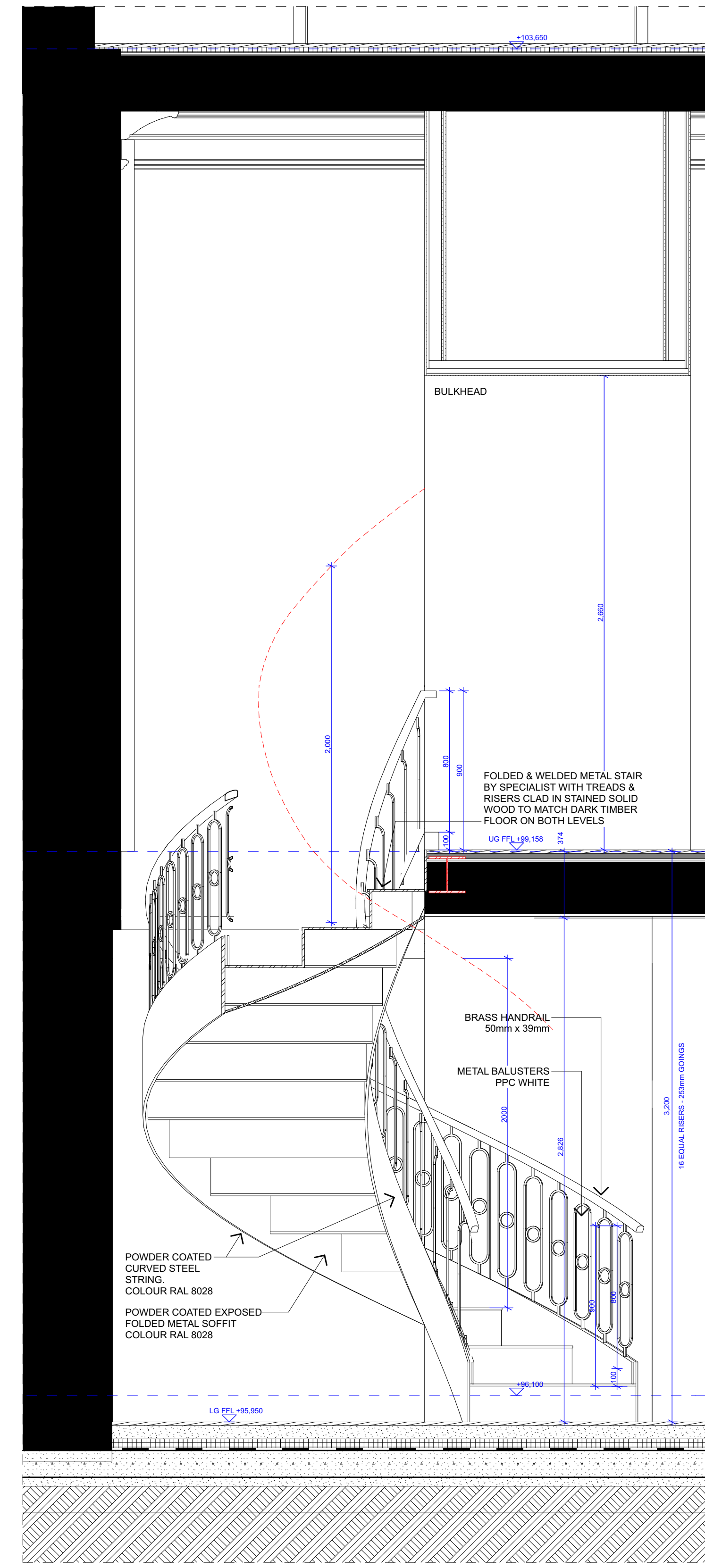
KH\_LEVEL LG 1:20



KH\_LEVEL UG 1:20



A-A 1:20



B-B 1:20