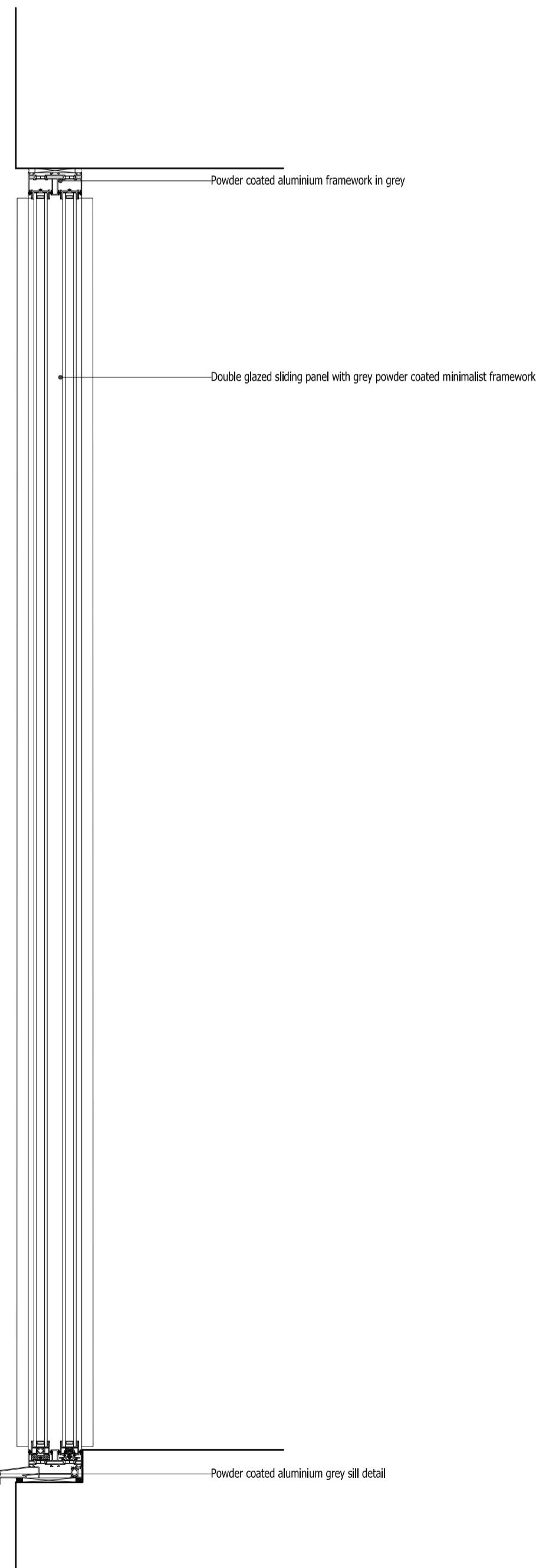
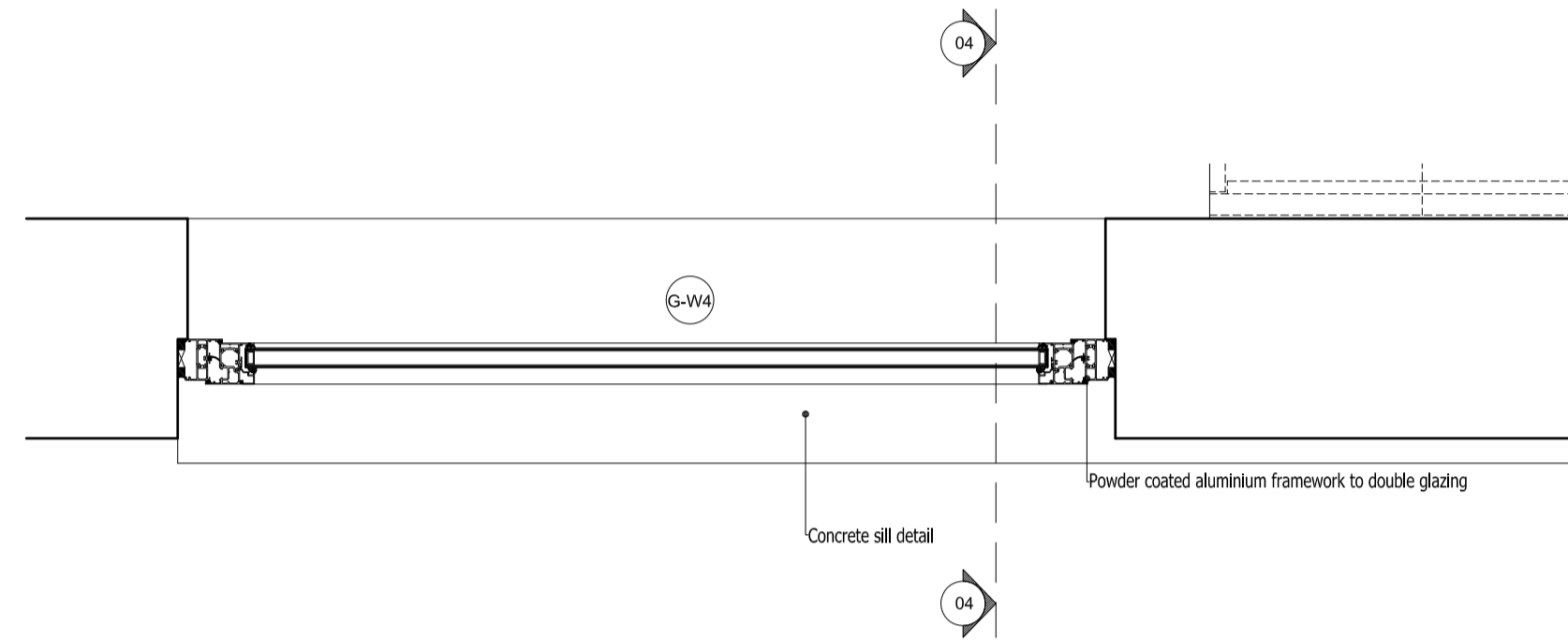


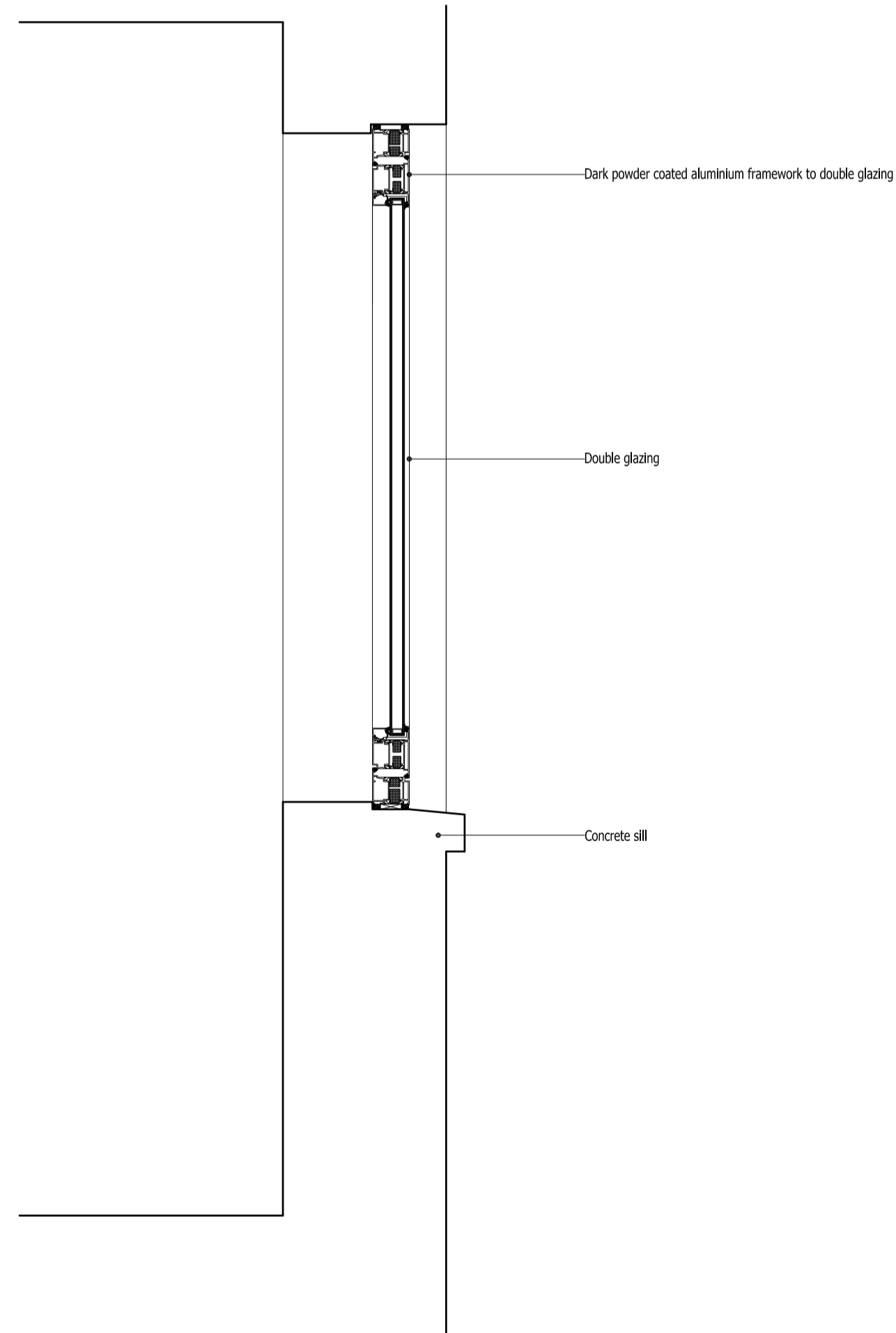
01 Proposed Ground Floor Window G-W1 Plan
scale 1:10 @ A1



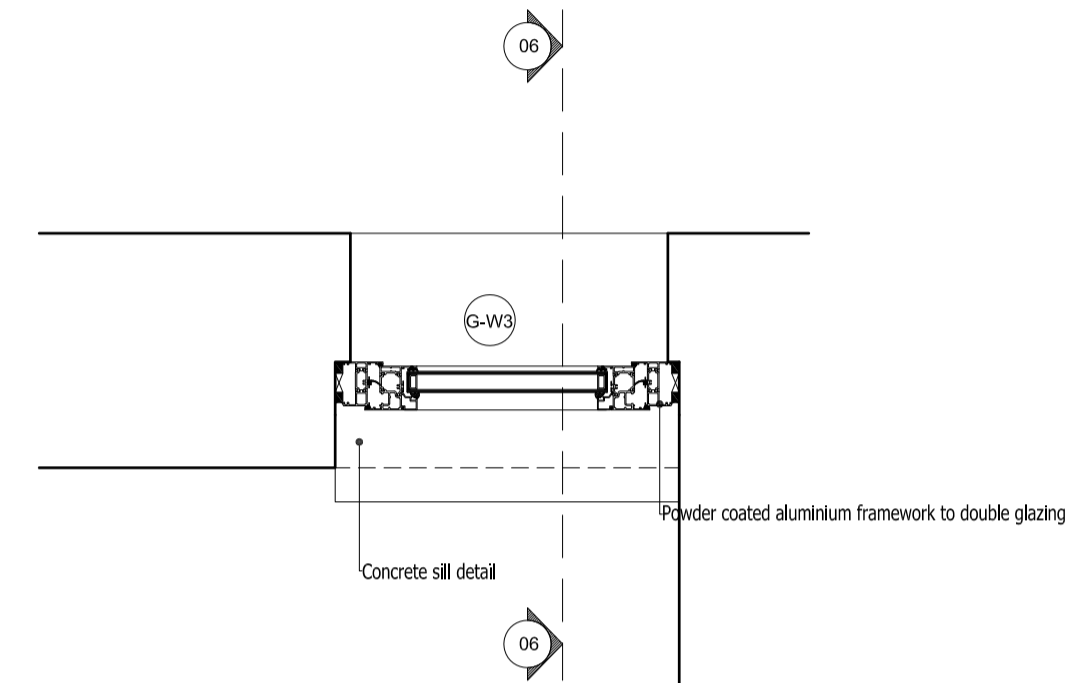
02 Proposed Ground Floor Window G-W1 Section
scale 1:10 @ A1



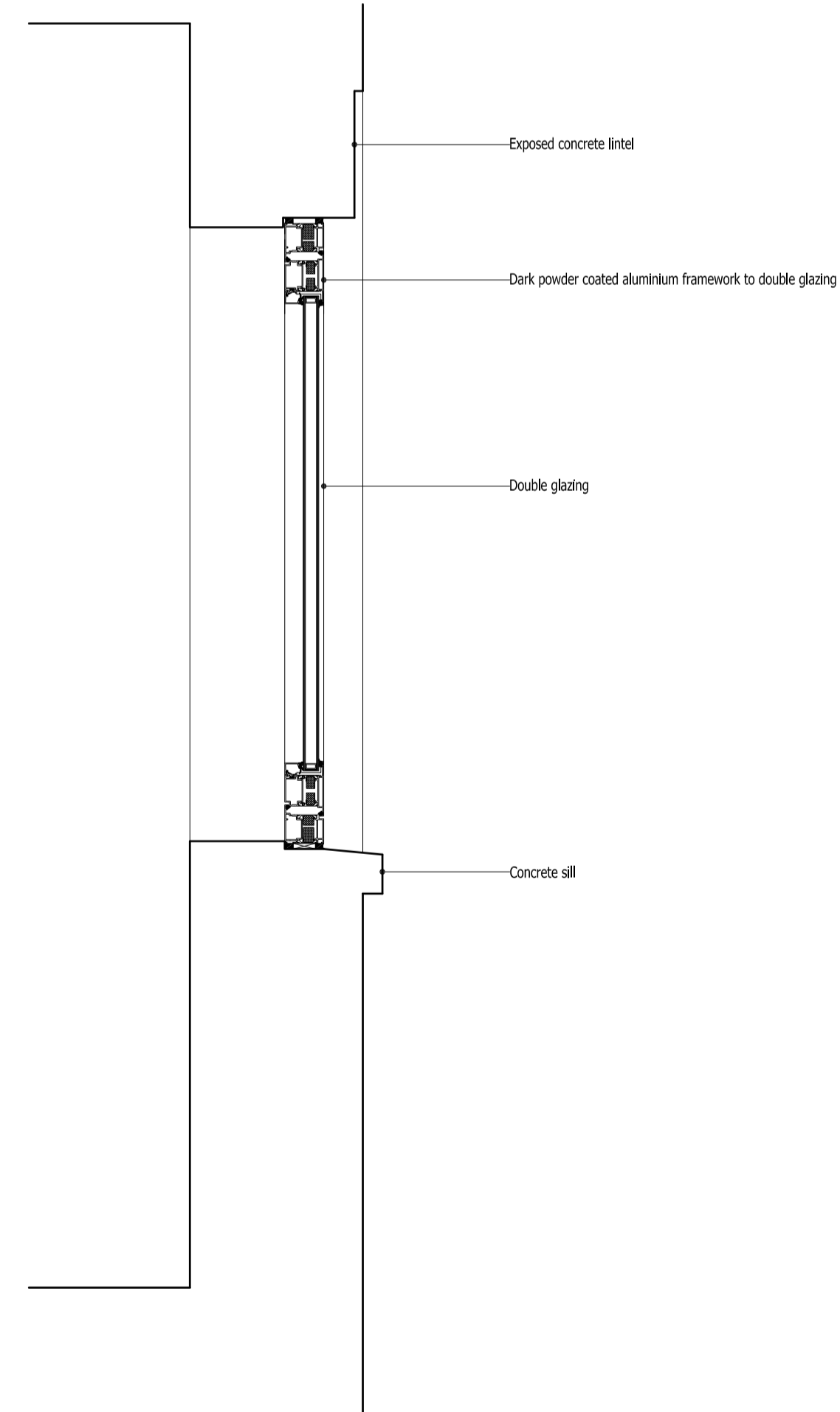
03 Proposed Ground Floor Window G-W4 Plan
scale 1:10 @ A1



04 Proposed Ground Floor Window G-W4 Section
scale 1:10 @ A1



05 Proposed Ground Floor Window G-W3 Plan
scale 1:10 @ A1



06 Proposed Ground Floor Window G-W3 Section
scale 1:10 @ A1

Rev.	Date	Description	
Project			
6 Oak Hill Park Mews, London, NW3 7LH.			
Title			
Proposed Ground Floor Doors & Windows Plans & Sections			
andrew wood associates ltd			
120 Pall Mall London SW1Y 5EA		T: 020 7884 1400 F: 08451 305949	
client:			
Matt Lyons 6 Oak Hill Park Mews Hampstead London NW3 7LH			
Date	Job No	Drawing No	Revision
08.08.2017			
Scale			
1:10 @ A1 1:20 @ A3	176	P521	00

Project

6 Oak Hill Park Mews, London, NW3 7LH.

Title

Proposed Ground Floor Doors & Windows Plans & Sections

andrew wood associates ltd

120 Pall Mall
London
SW1Y 5EA

T: 020 7884 1400
F: 08451 305949

client:

Matt Lyons
6 Oak Hill Park Mews
Hampstead
London
NW3 7LH



Date	Job No	Drawing No	Revision
08.08.2017			
Scale			
1:10 @ A1 1:20 @ A3	176	P521	00