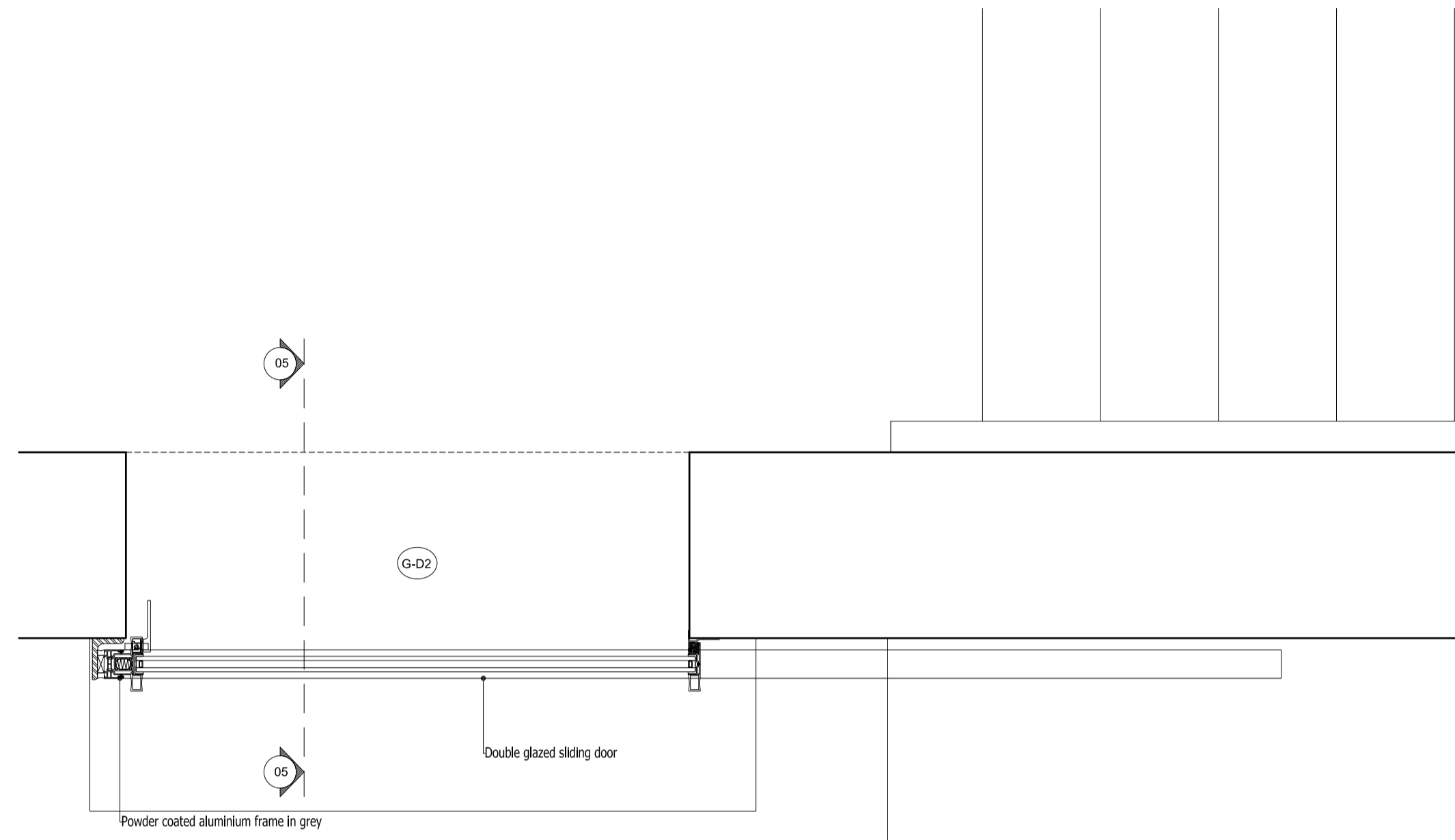
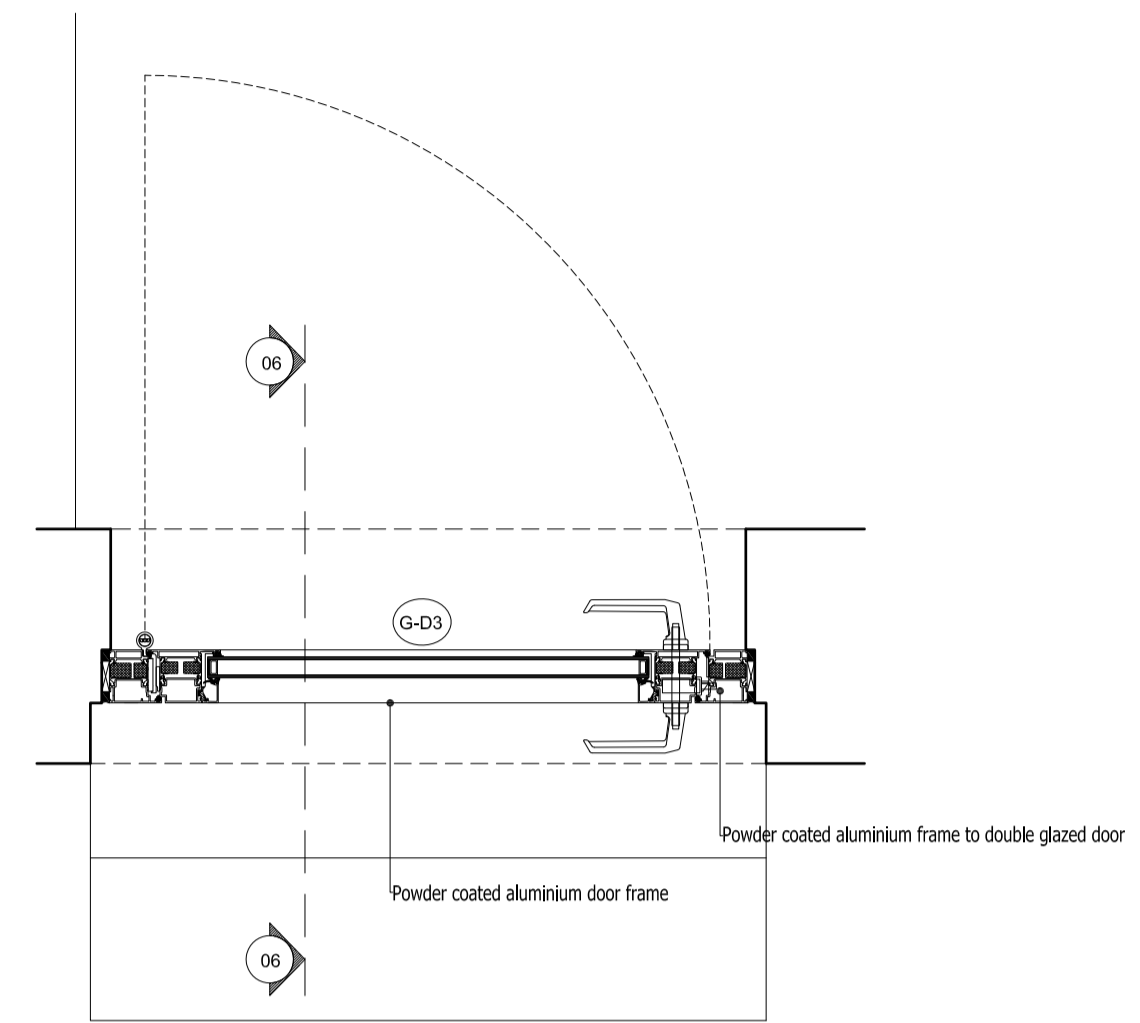


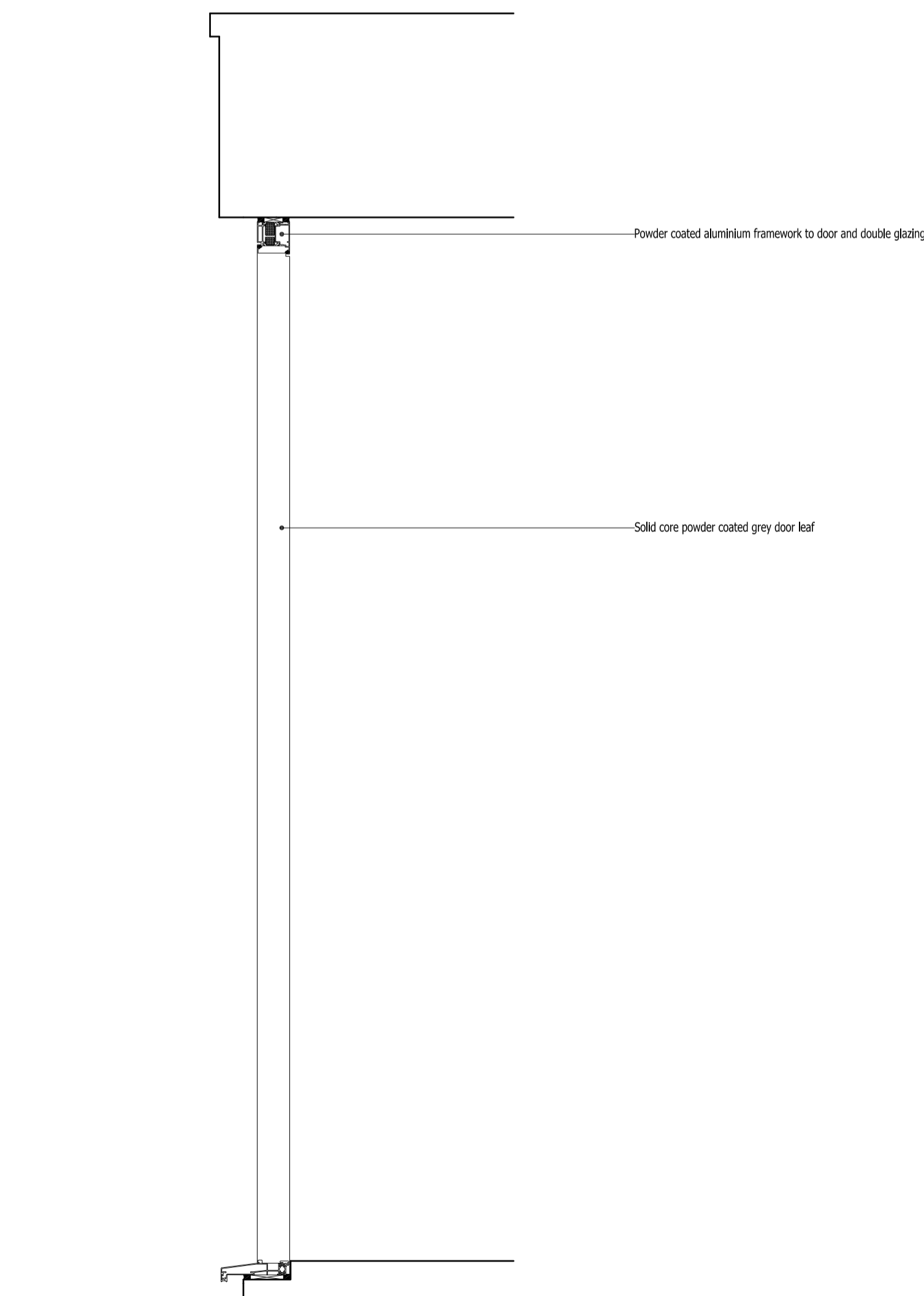
**01** Proposed Ground Floor Door G-D01 and Window G-W1 Plan  
scale 1:10 @ A1



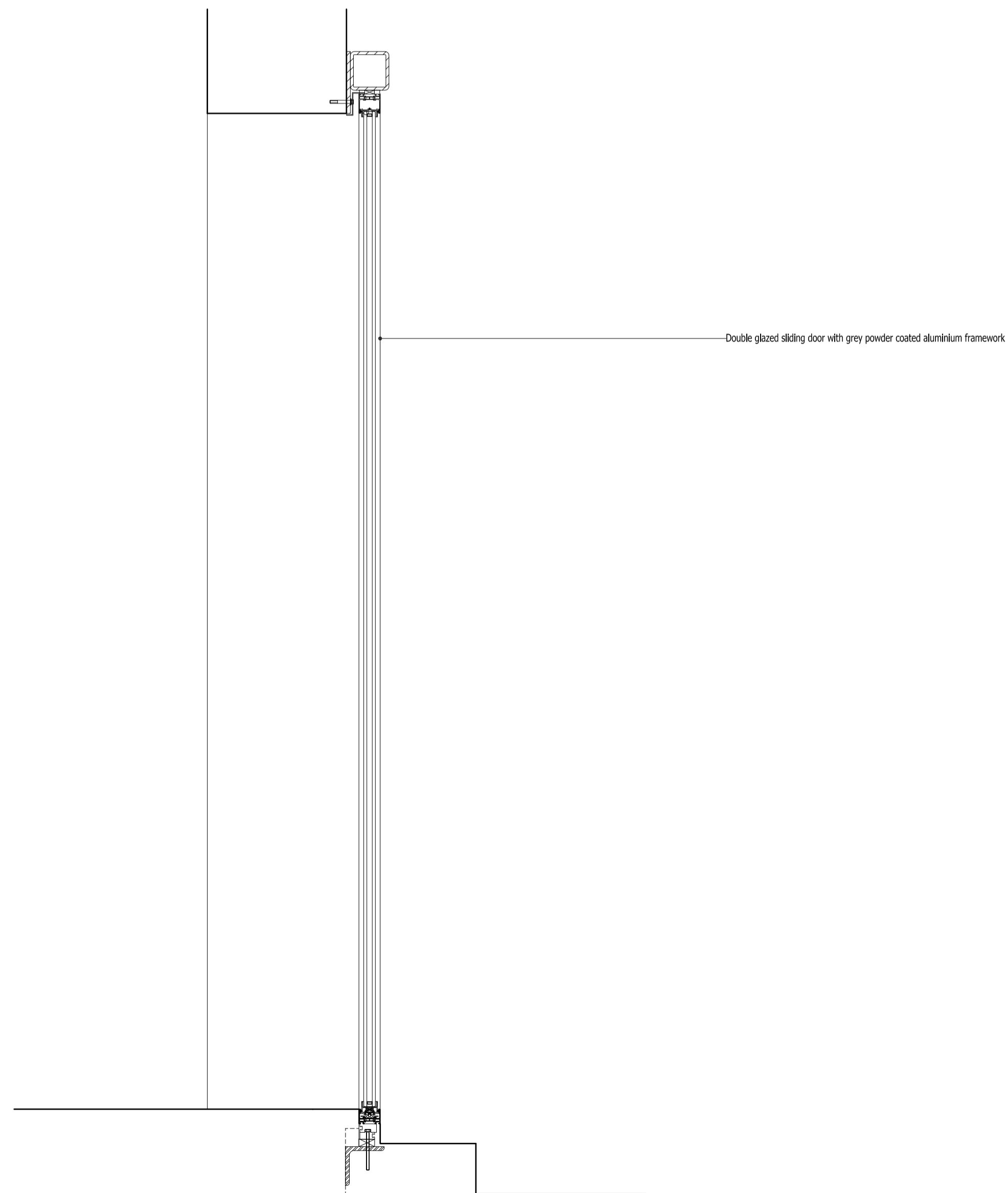
**02** Proposed Ground Floor Door G-D02  
scale 1:10 @ A1



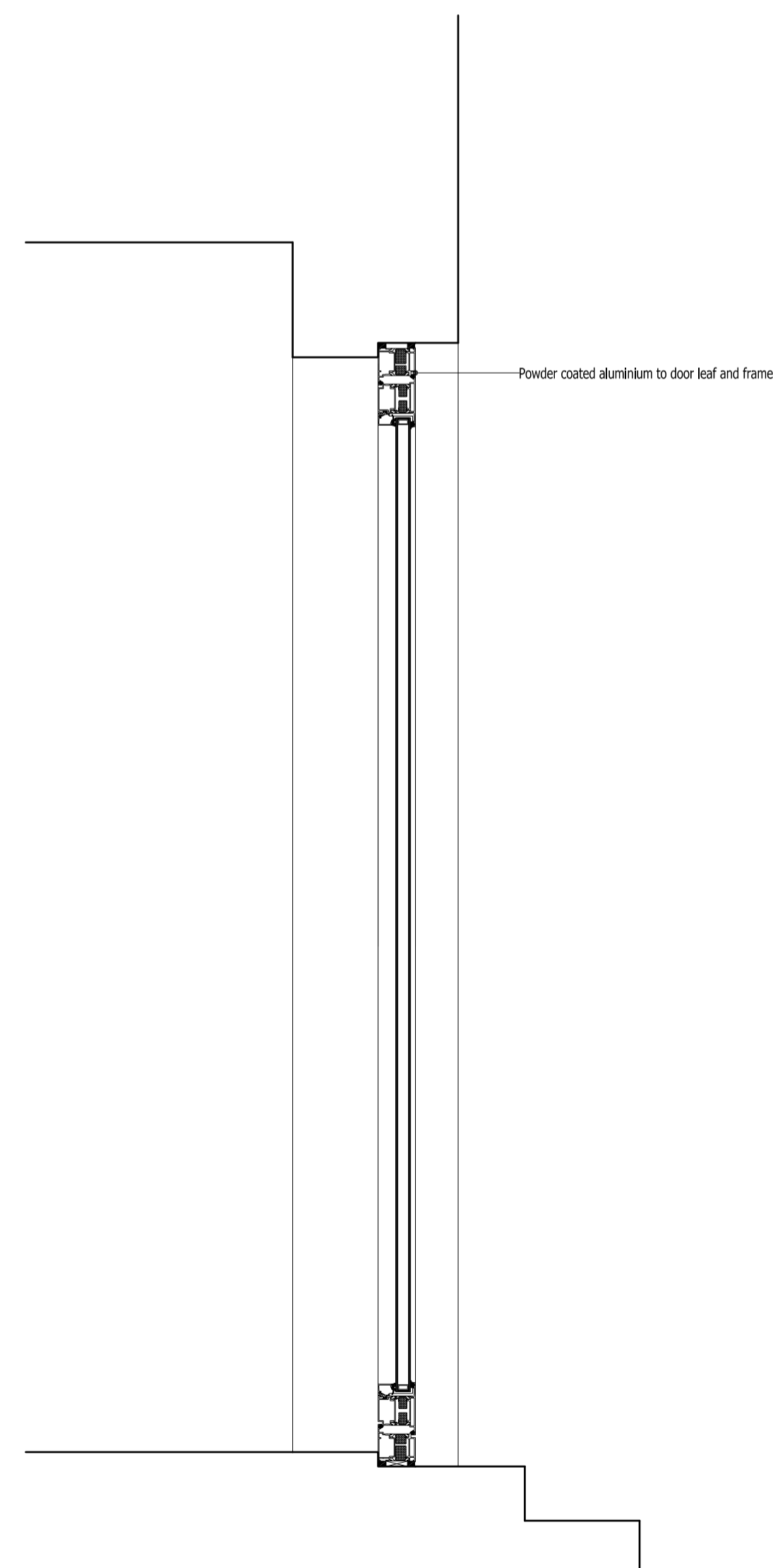
**03** Proposed Ground Floor Door G-D03 Plan  
scale 1:10 @ A1



**04** Proposed Ground Floor Door G-D01 Section  
scale 1:10 @ A1



**05** Proposed Ground Floor Door G-D02 Section  
scale 1:10 @ A1



**06** Proposed Ground Floor Door G-D03 Section  
scale 1:10 @ A1

Rev.	Date	Description	
Project			
6 Oak Hill Park Mews, London, NW3 7LH.			
Title			
Proposed Ground Floor Doors & Windows Plans & Sections			
andrew wood associates ltd			
120 Pall Mall London SW1Y 5EA		T: 020 7684 1400 F: 08451 305949	
client:			
Matt Lyons 6 Oak Hill Park Mews Hampstead London NW3 7LH			
Date	Job No	Drawing No	Revision
08.08.2017			
Scale			
1:10 @ A1 1:20 @ A3	176	P520	00

Project  
6 Oak Hill Park Mews, London, NW3 7LH.

Title  
Proposed Ground Floor Doors & Windows Plans & Sections

andrew wood associates ltd

120 Pall Mall  
London  
SW1Y 5EA  
T: 020 7684 1400  
F: 08451 305949

client:  
Matt Lyons  
6 Oak Hill Park Mews  
Hampstead  
London  
NW3 7LH

Date	Job No	Drawing No	Revision
08.08.2017			
Scale			
1:10 @ A1 1:20 @ A3	176	P520	00

