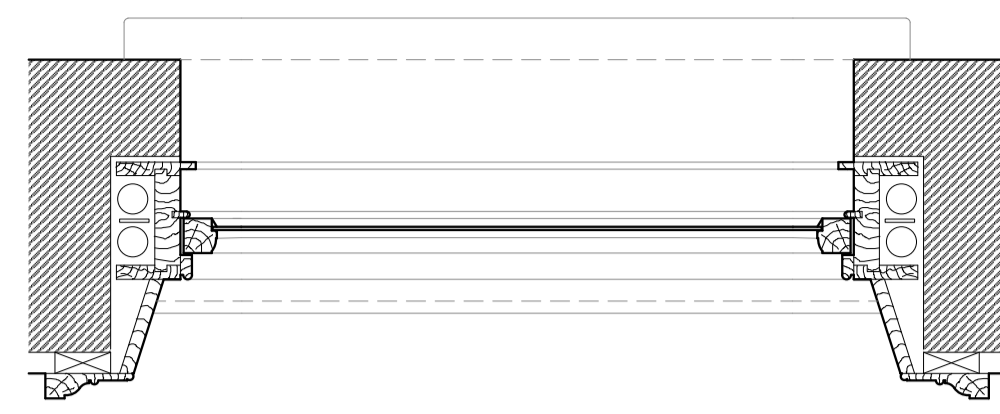
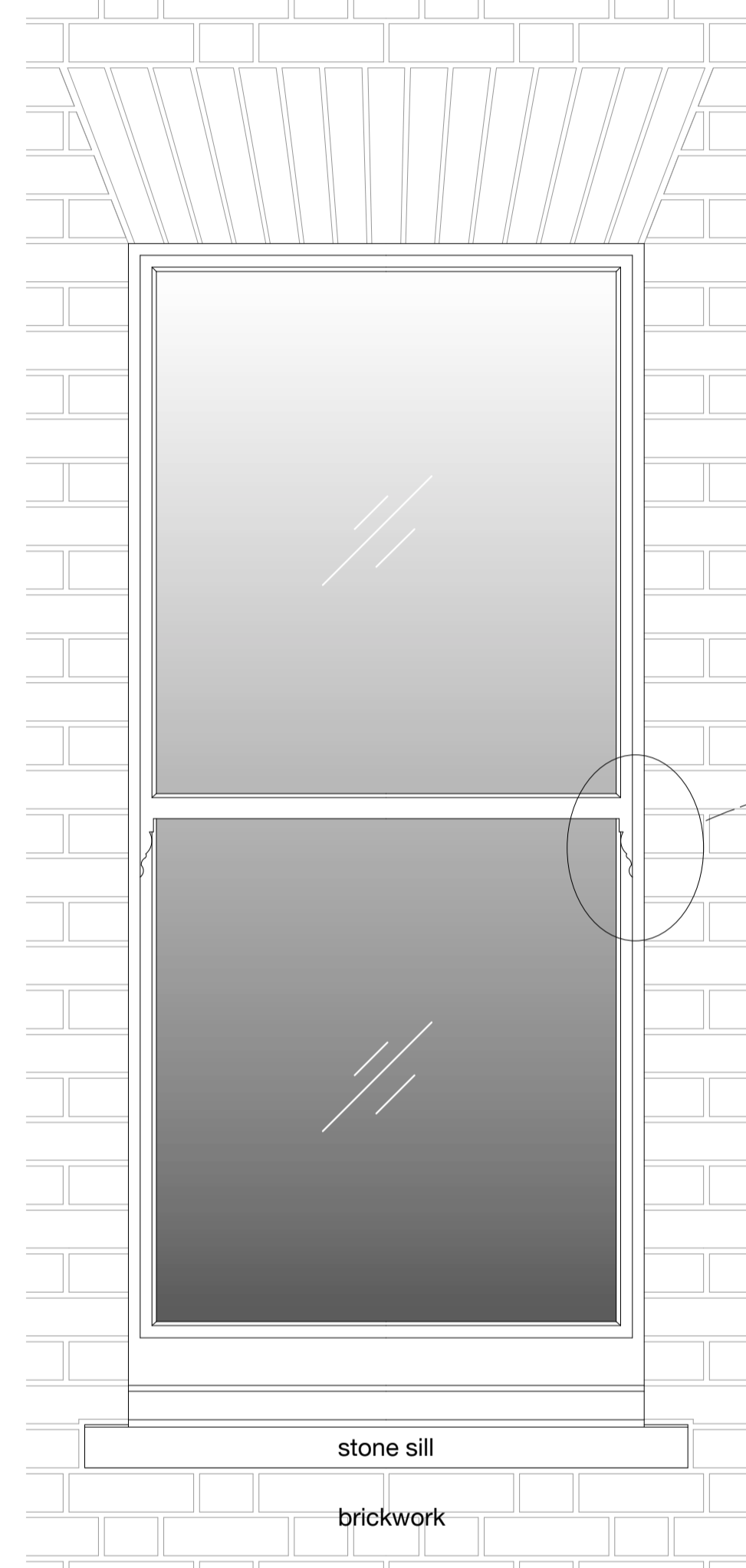


Plan at 1:10@A1

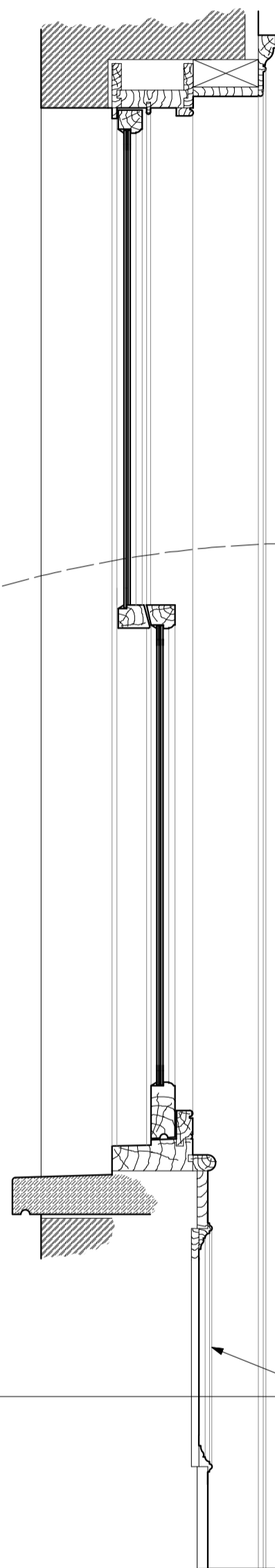
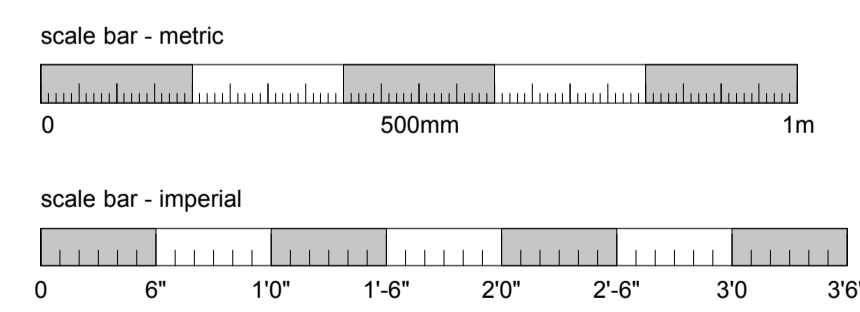


Plan at 1:10@A1

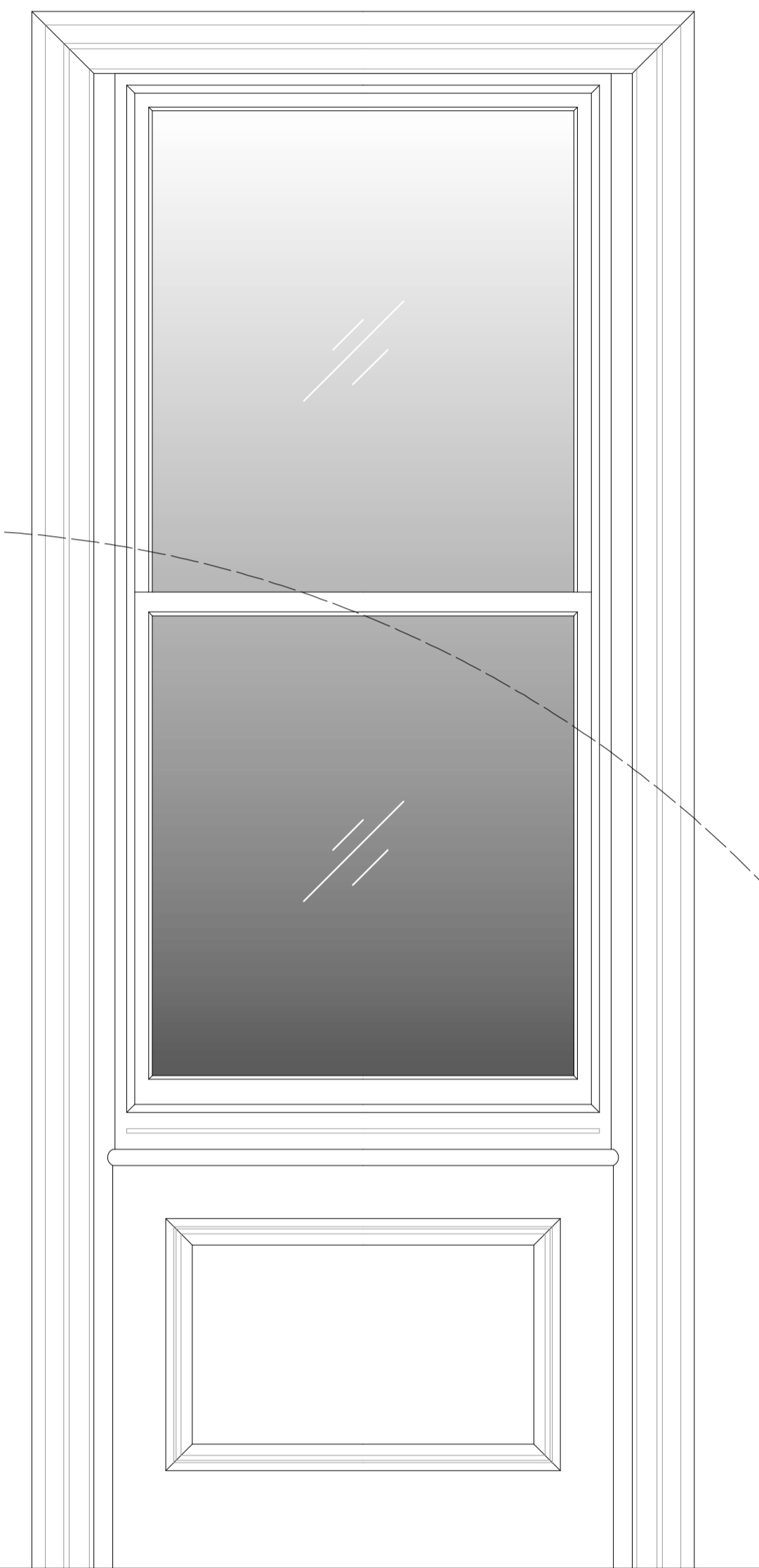


panelling to rear elevation windows W6, W7, W8 + W9 only. Front elevation windows W2, W3 + W4 have a plain panel here

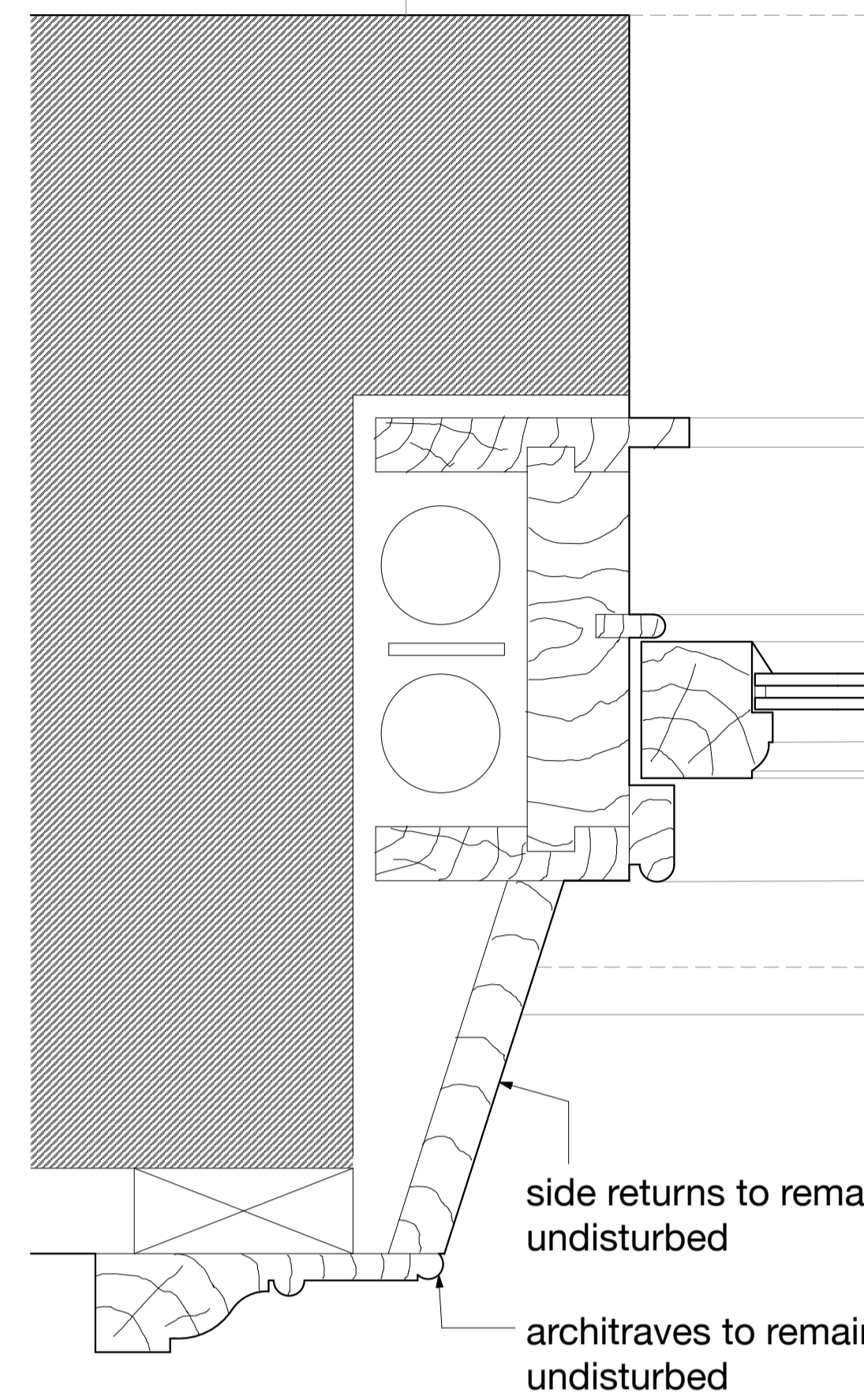
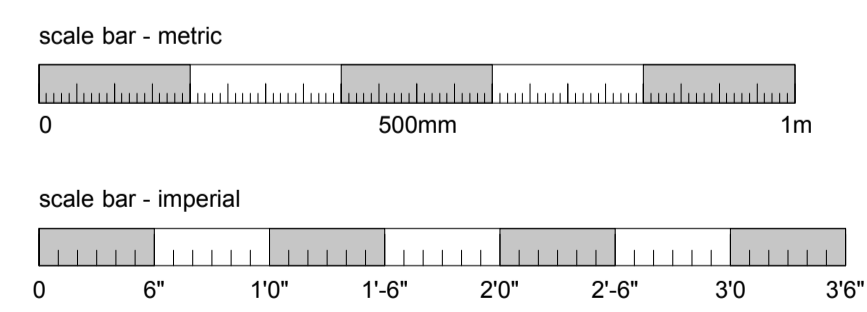
External Elevation 1:10@A1



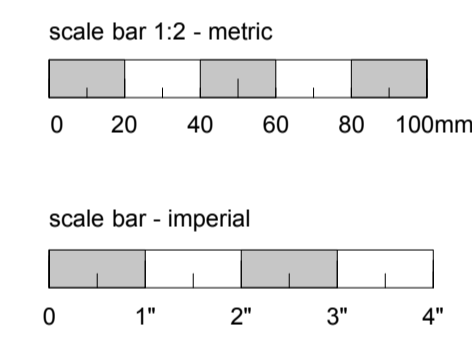
Section 1:10@A1



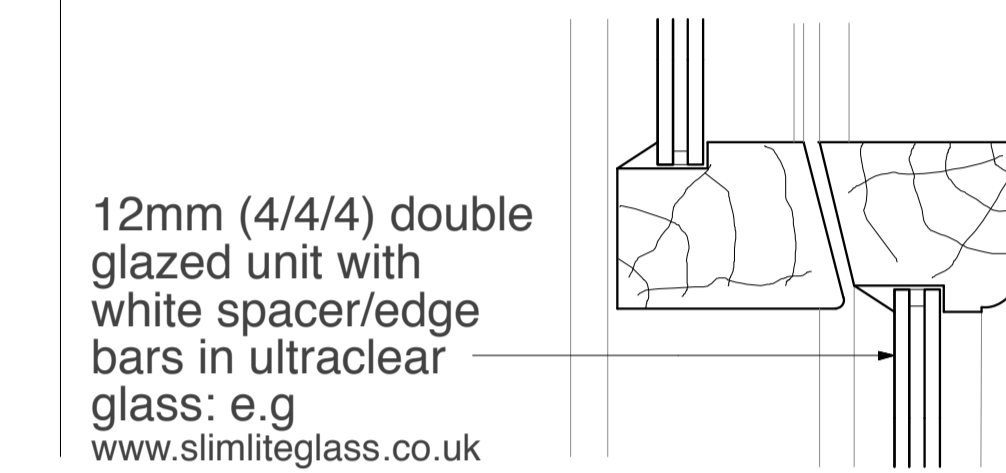
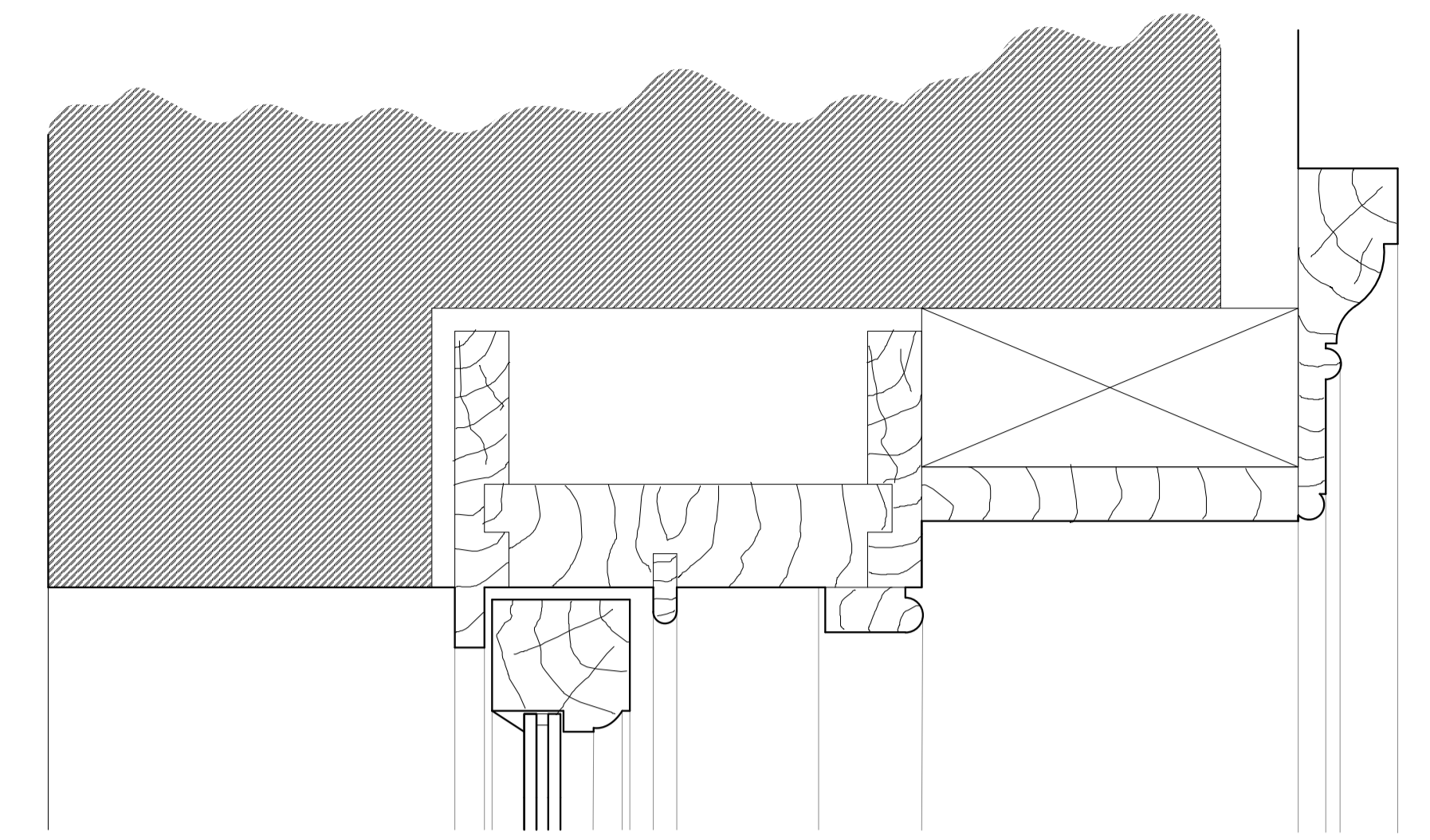
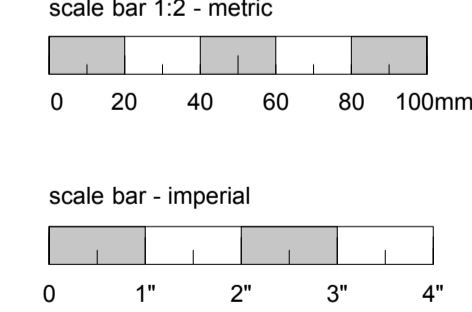
Internal Elevation 1:10@A1



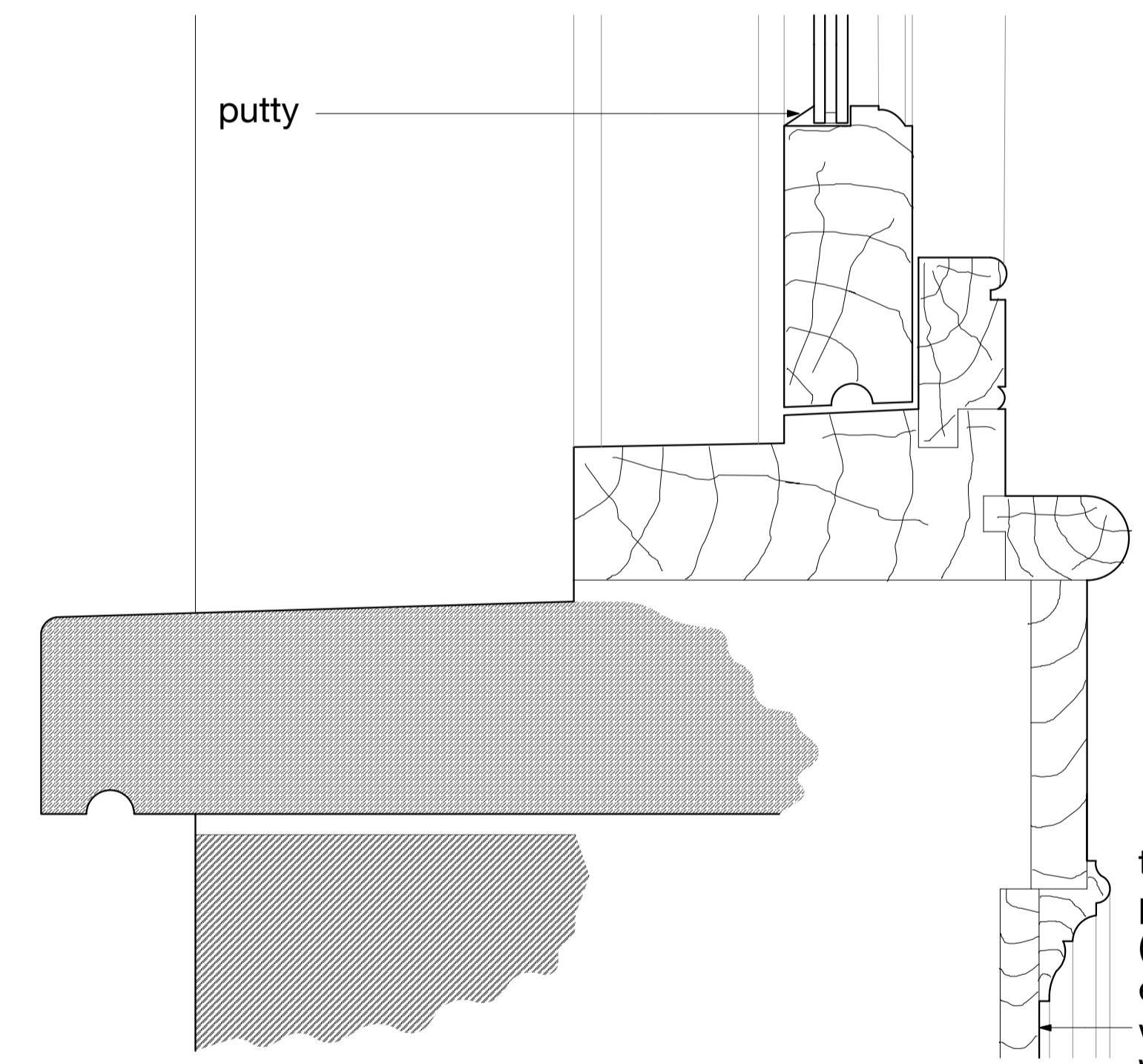
Plan Detail at Jamb 1:2@A1



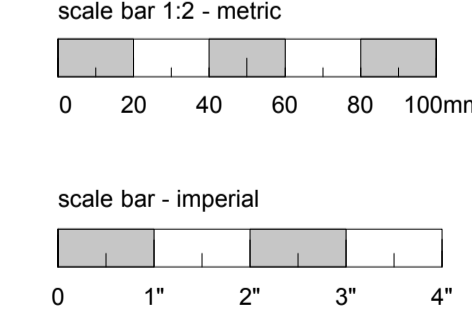
Sash Horn 1:2@A1



12mm (4/4) double glazed unit with white spacer/edge bars in ultraclear glass: e.g. www.slimliteglass.co.uk



Vertical Section 1:2@A1



timber panelling (rear elevation windows W6, W7, W8 + W9 only)

**BROD WIGHT Architects**  
43 England's Lane -- London -- NW3 4YD

Flat 1, 12 Lyndhurst Gardens, London NW3 5NR

www.brodwight.co.uk office@brodwight.co.uk  
Tel 020 7722 0810 This drawing is copyright

Drawing Title:  
**Proposed Windows Enlarged Details**

Drawing Ref:  
**1060-AP06**

Date: 3rd August 2017 Scale: 1:2 + 1:10 @ A1